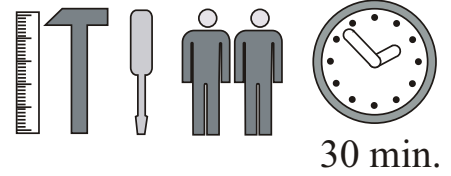
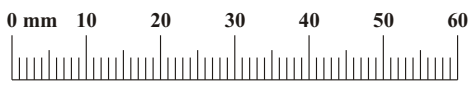
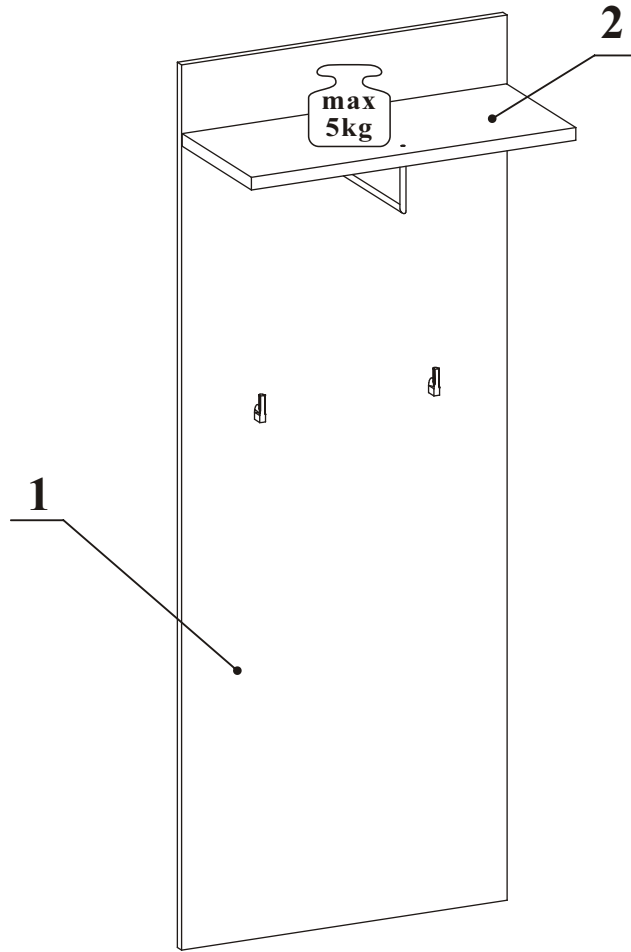
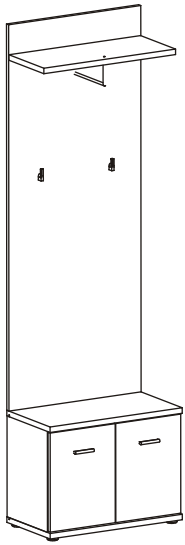



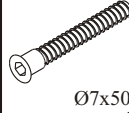


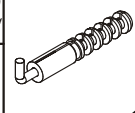
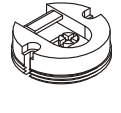


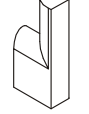
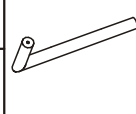
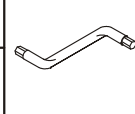
2

ARMARIO 1

(type-D)

24 DSAR-D

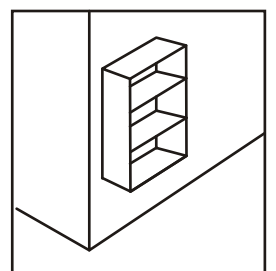
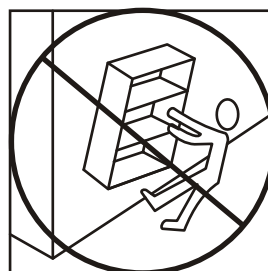
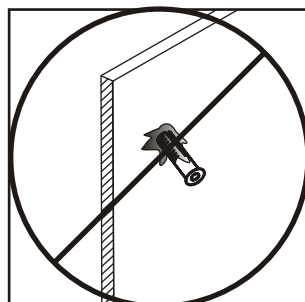
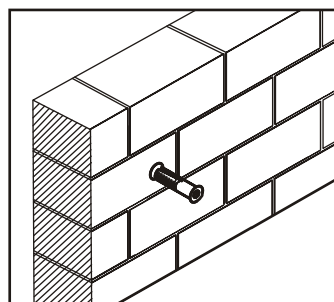
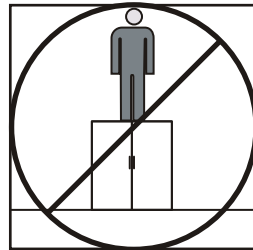
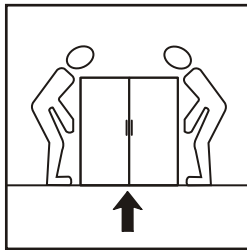
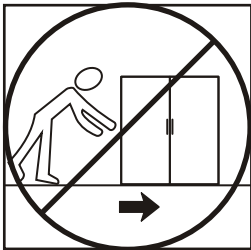
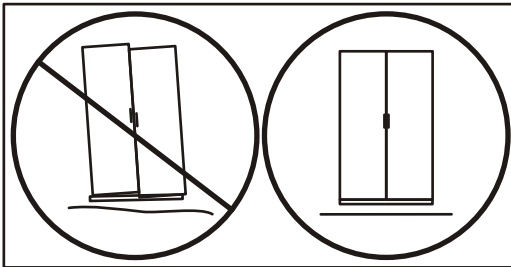
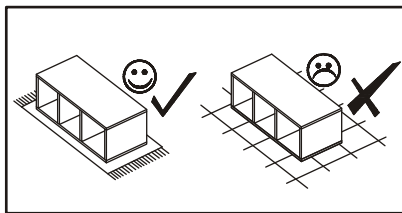
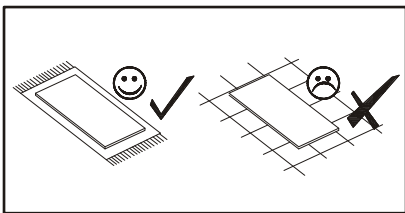
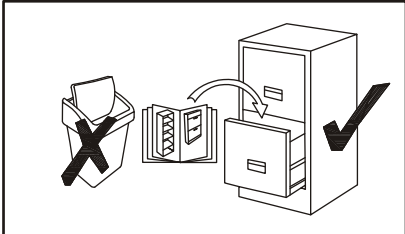
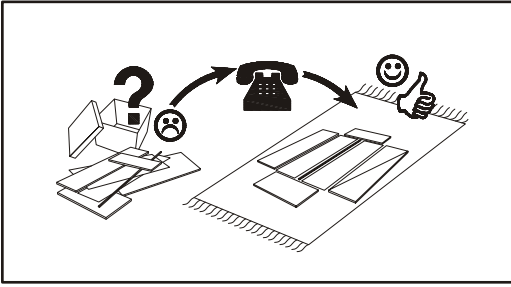


A1 X3	 ø8x36	B11 X2	 Ø7x50	G4 X2		UP6 X4	 UPØ4x30	KR2 X2		ZM1 X2	
D3 X2	 M4x35	D8 X4	 ESØ5x13	WS1 X2		L50 X1		G2 X1			

ARMARIO 1

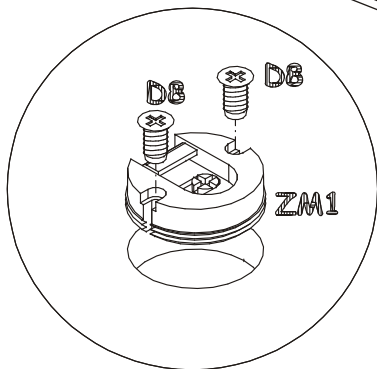
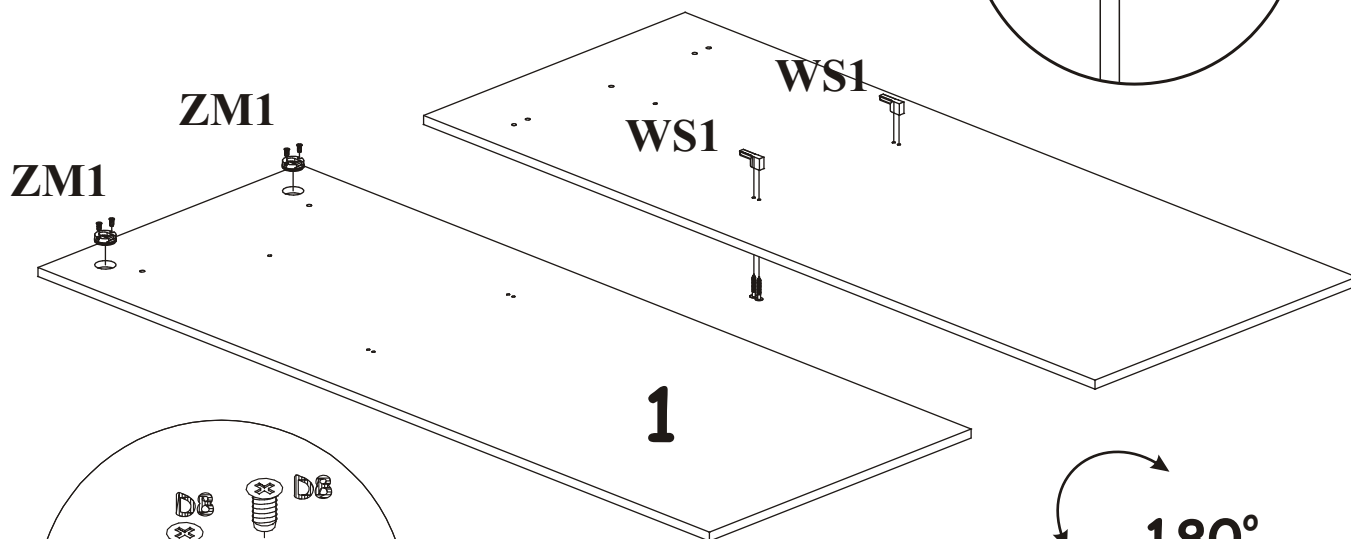
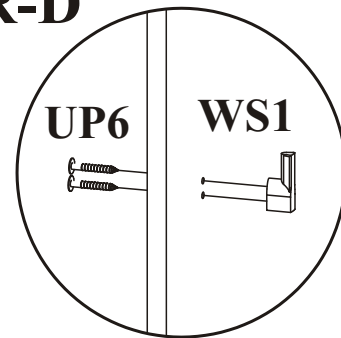
(type-D)

24 DSAR-D

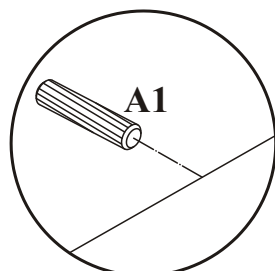
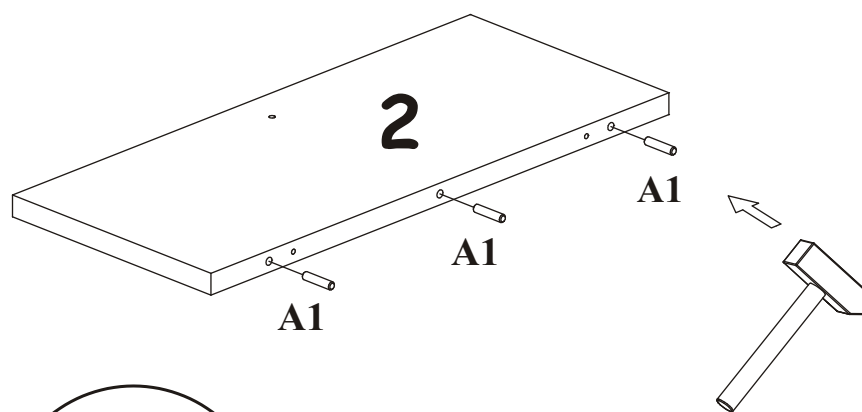


ARMARIO 1 (type-D) 24 DSAR-D

1



2

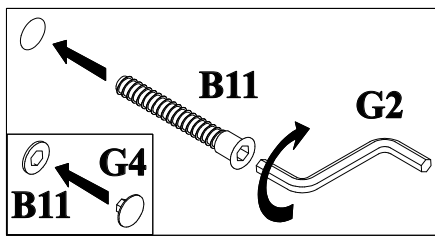
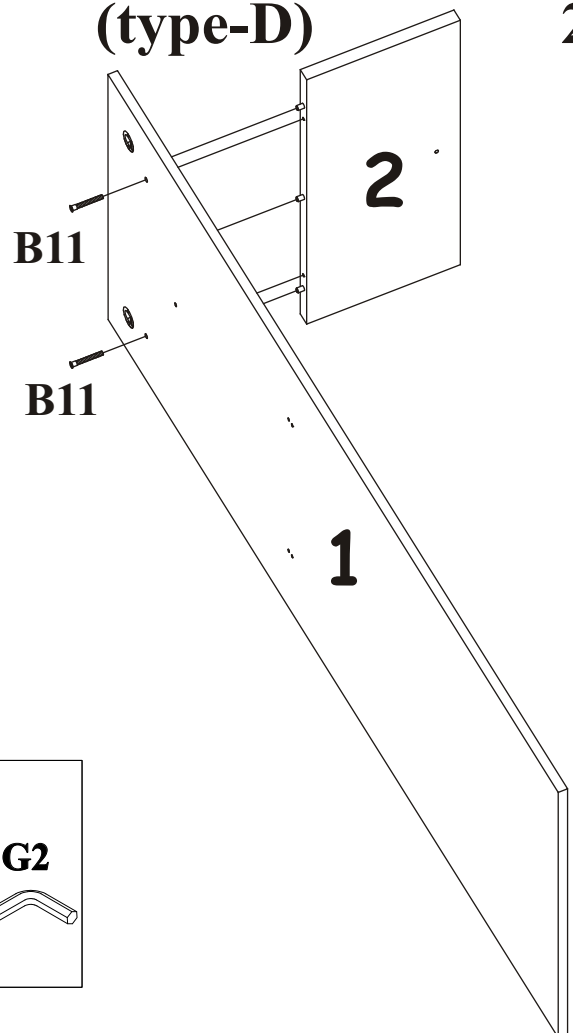


ARMARIO 1

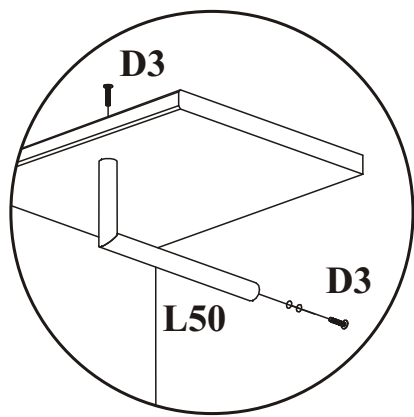
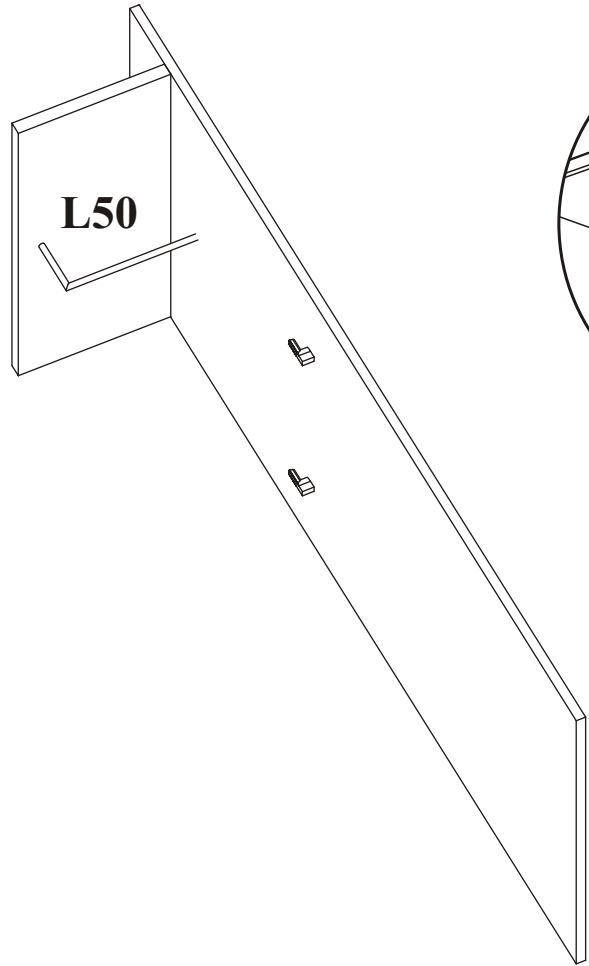
(type-D)

24 DSAR-D

3



4

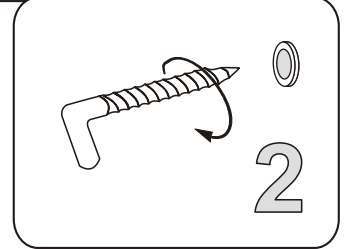
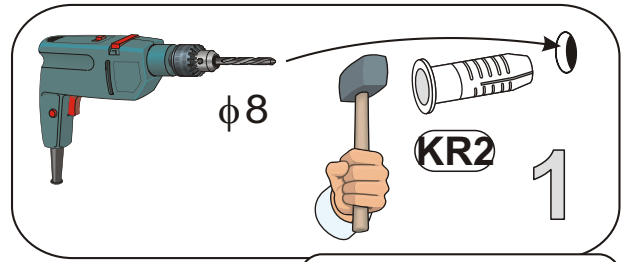
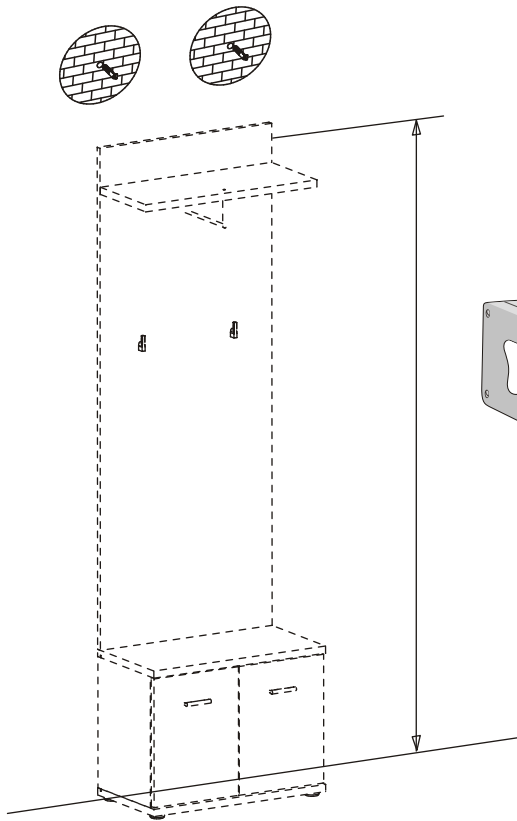


ARMARIO 1

(type-D)

24 DSAR-D

5



6

