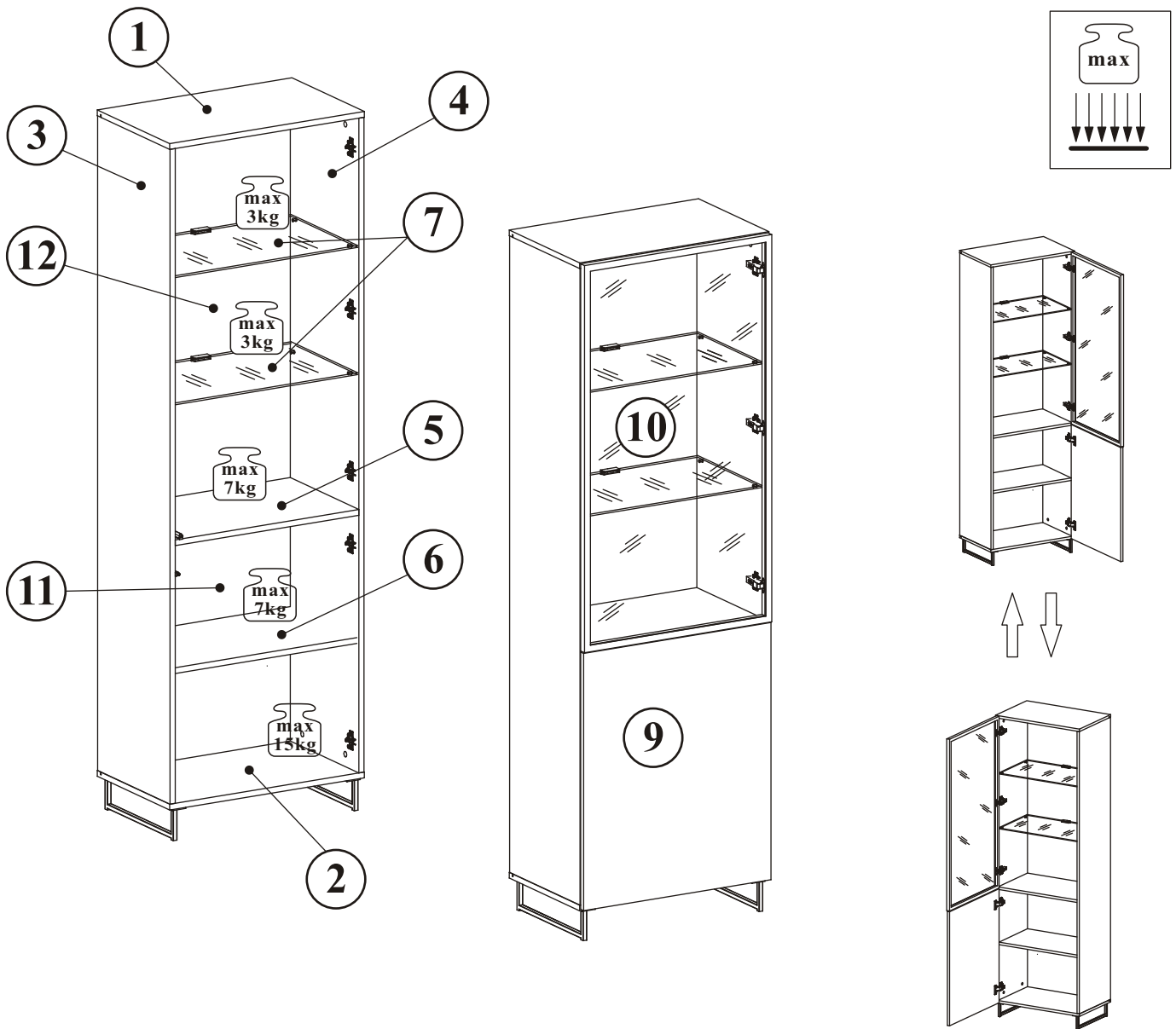
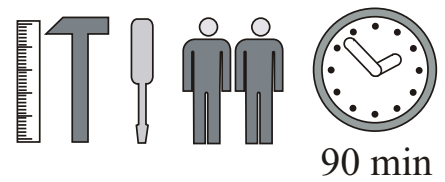


# PLANK 29\_PNWSW



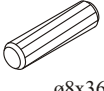
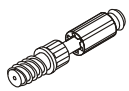


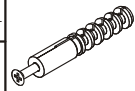
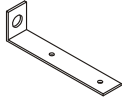
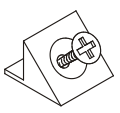
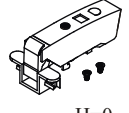
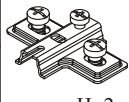
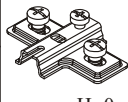
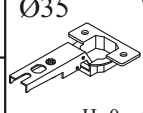
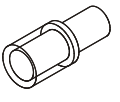

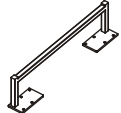

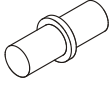
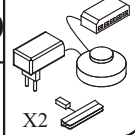

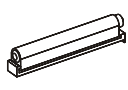
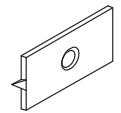


NO	Dim.			Col-No	Qty
1	602	376	16	1	1
2	602	376	16	1	1
3	1812	376	16	1	1
4	1812	376	16	1	1
5	568	356	16	1	1
6	568	346	16	1	1
7	567	346	5	1	2
9	596	732	16	1	1
10	596	1102	21	1	1
11	580	727	3	1	1
12	1097	580	3	1	1

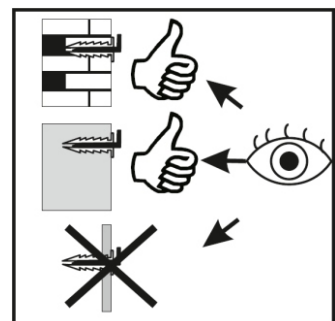
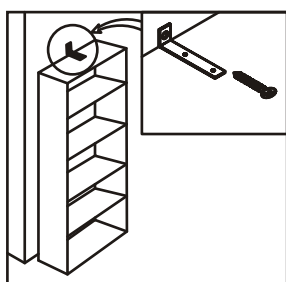
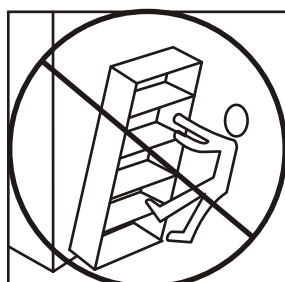
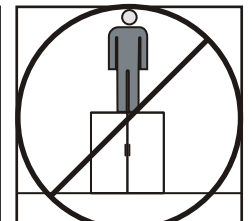
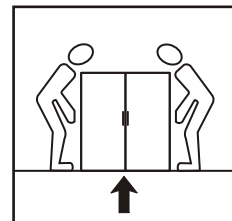
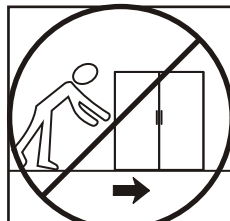
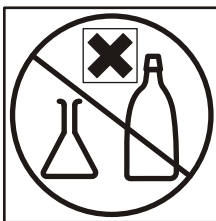
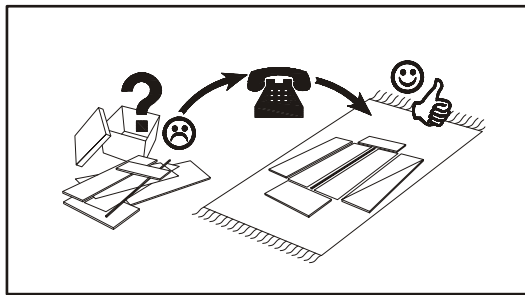
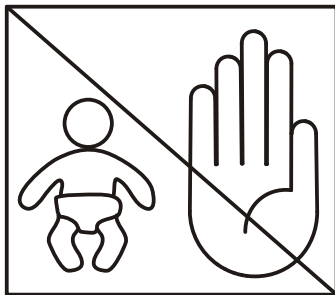
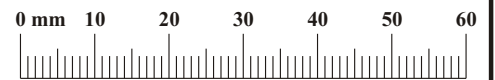


90 min



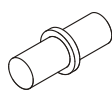

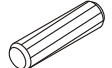
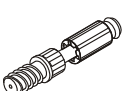
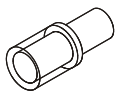
# PLANK 29\_PNWSW

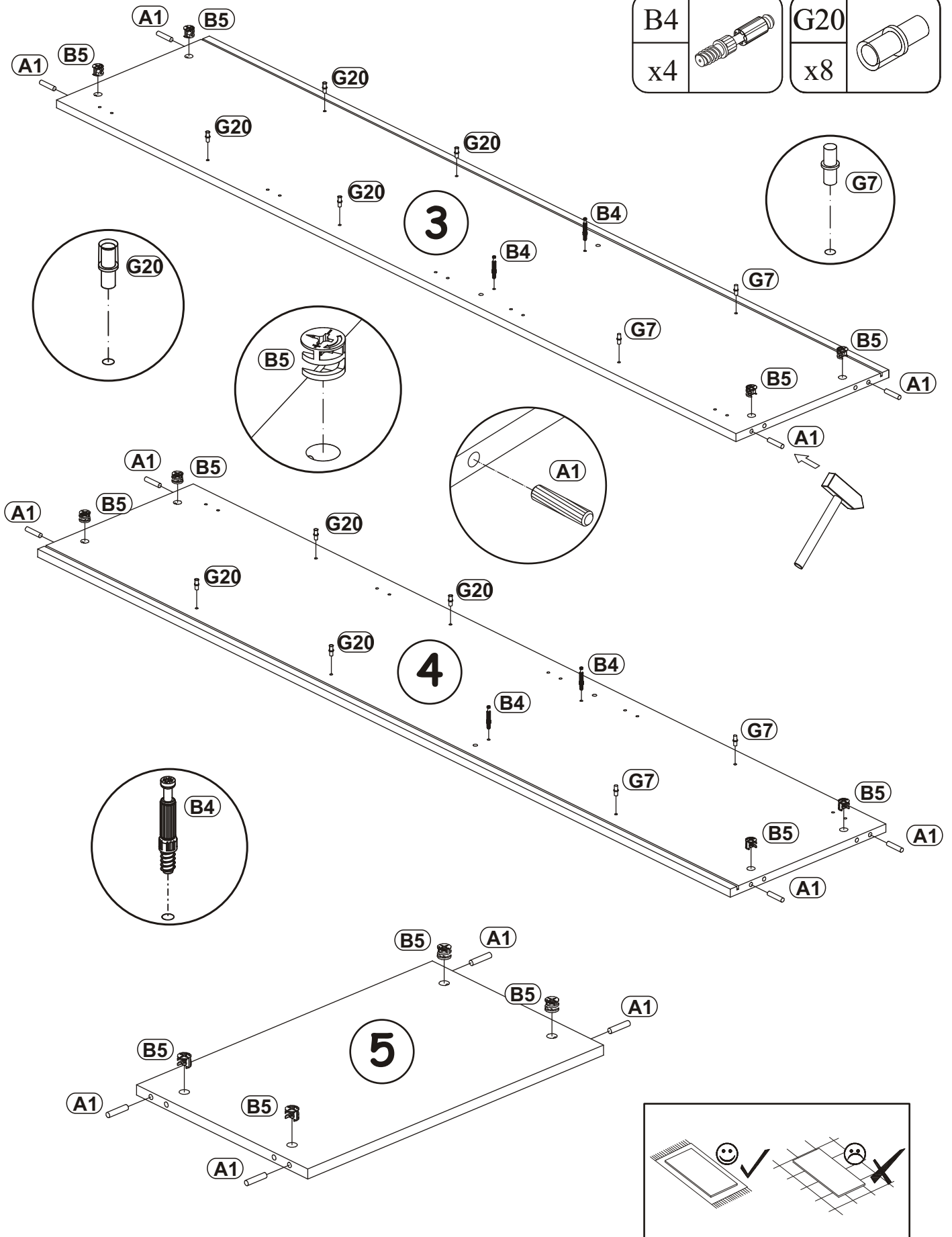
A1 x12  ø8x36	B4 x12 	B5 x12  ø15x12	G5 x12 	KR1 x1 	L1 x1 
S1 x16 	E30 x3  H=0	E4 x3  H=2	E2 x2  H=0	E21 x2  Ø35 H=0	G20 x8 
Z2 x10  Ø5	ST6 x2 	UP5 x16  UPØ4x16	G7 x4 	LED x1  x2	G2 x1 
T1 x2 	G16 x4 	UP13 x4  UPØ3x16	D10 x10  USØ3,5x13		



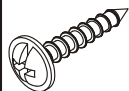
# PLANK 29\_PNWSW

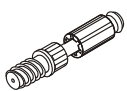
## 1

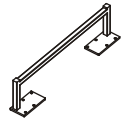
G7 x4		B5 x12	 ø15x12	A1 x12	 ø8x36
B4 x4		G20 x8			



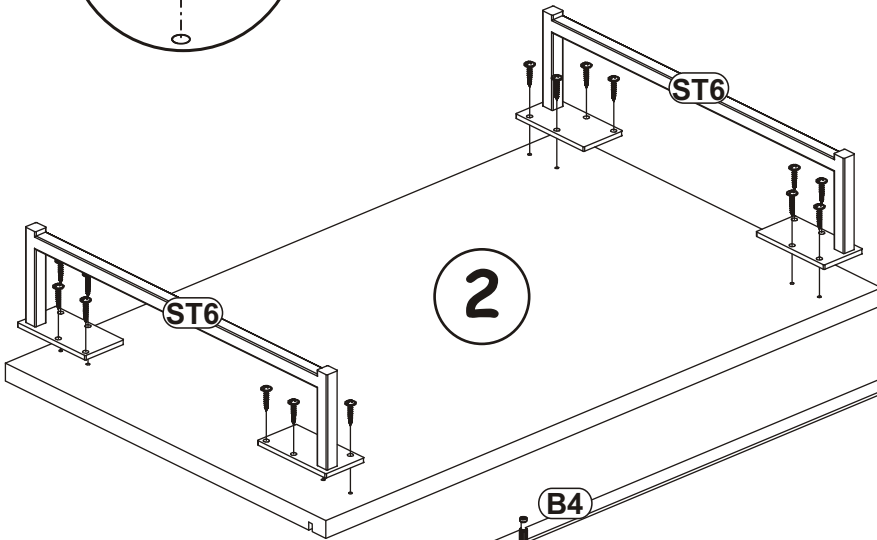
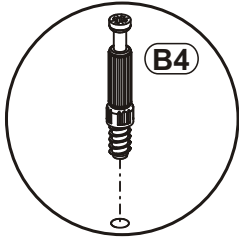
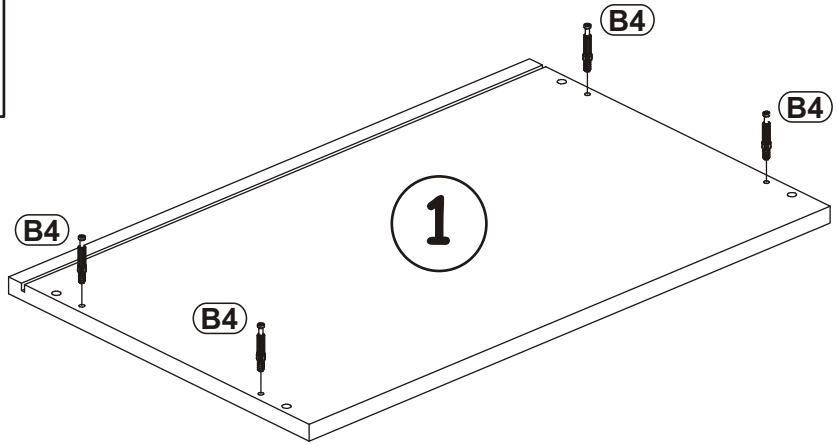
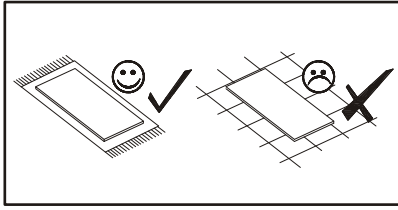
PLANK 29\_PNWSW

UP5	
x16	UPØ4x16

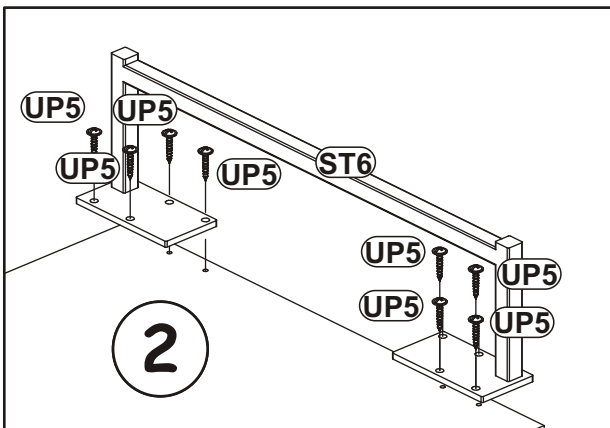
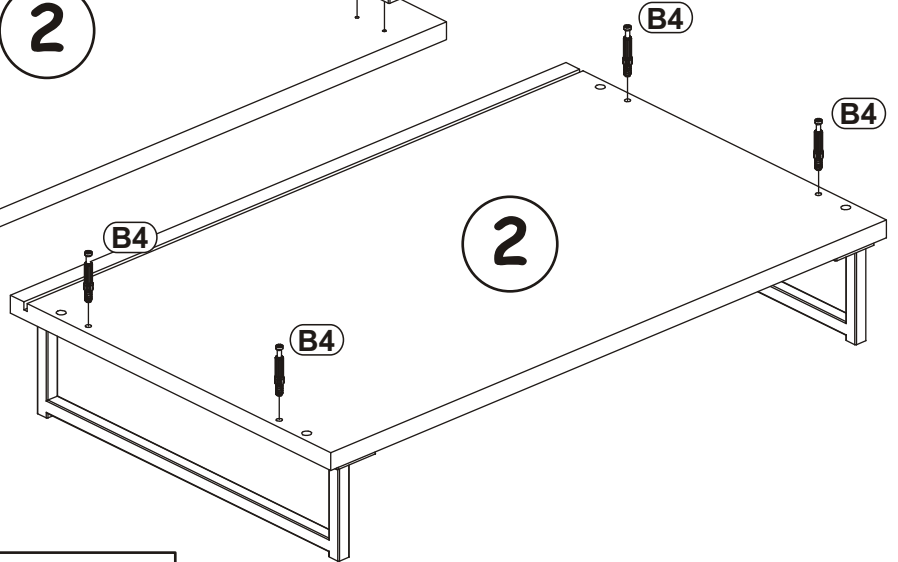
B4	
x8	

ST6	
x2	


2

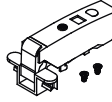


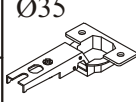
180°



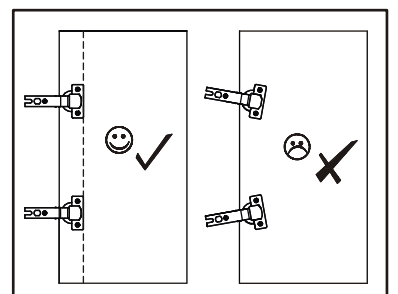
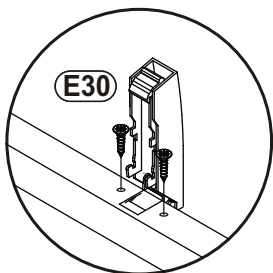
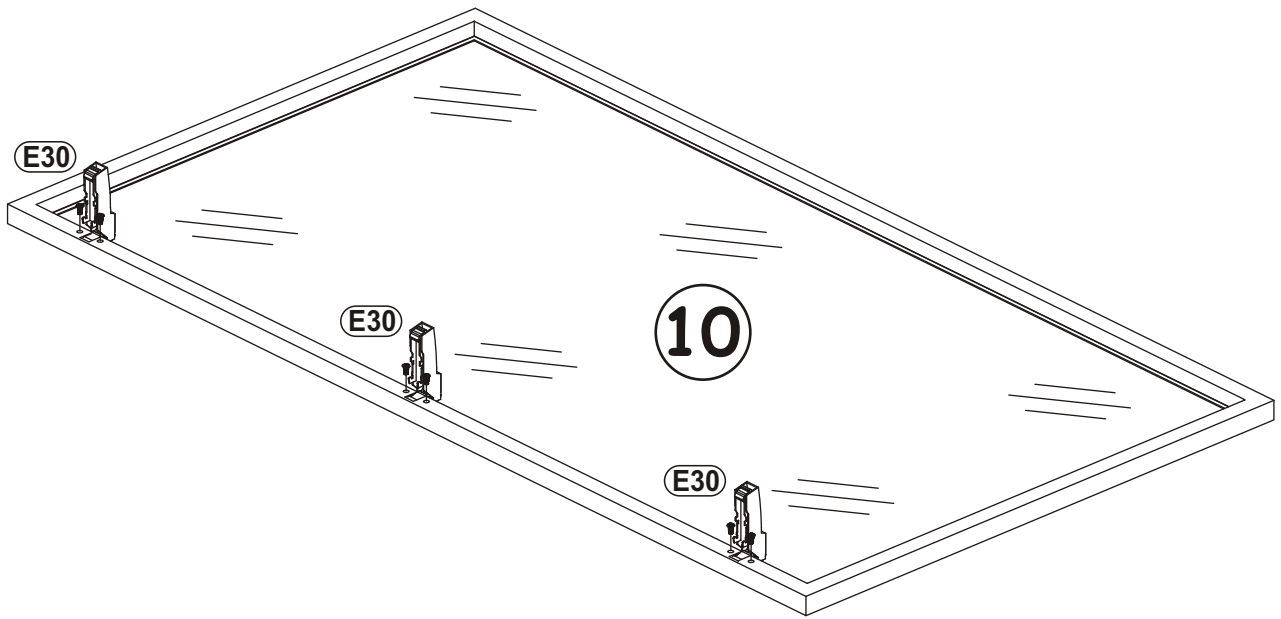
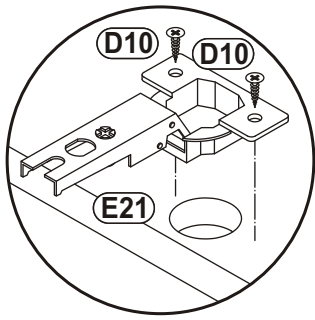
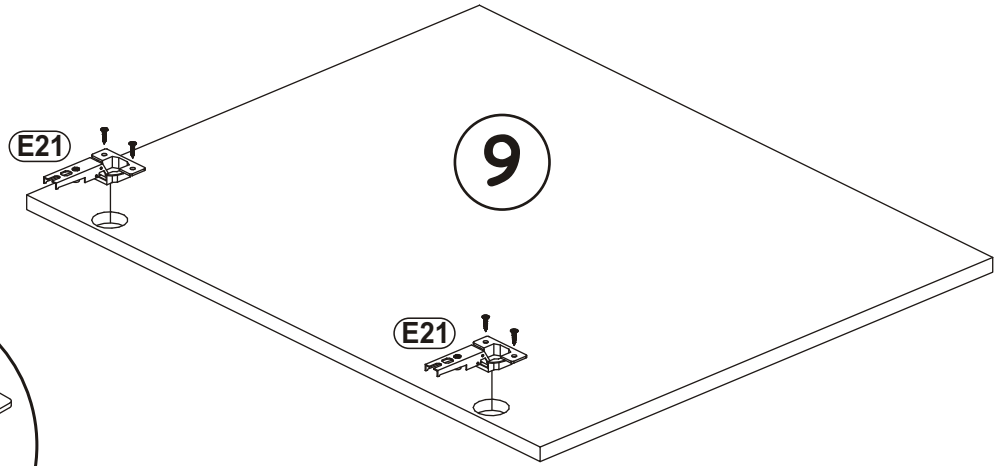
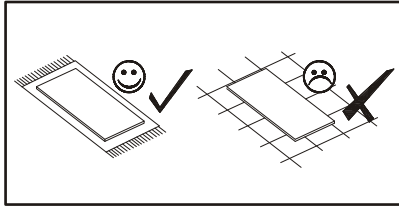
# PLANK 29\_PNWSW


D10	
x4	USØ3,5x13

E30	
x3	H=0

E21	
x2	Ø35 H=0

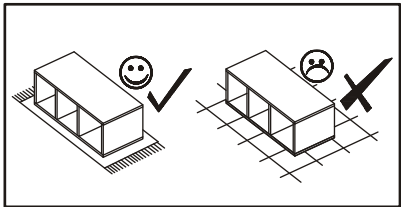
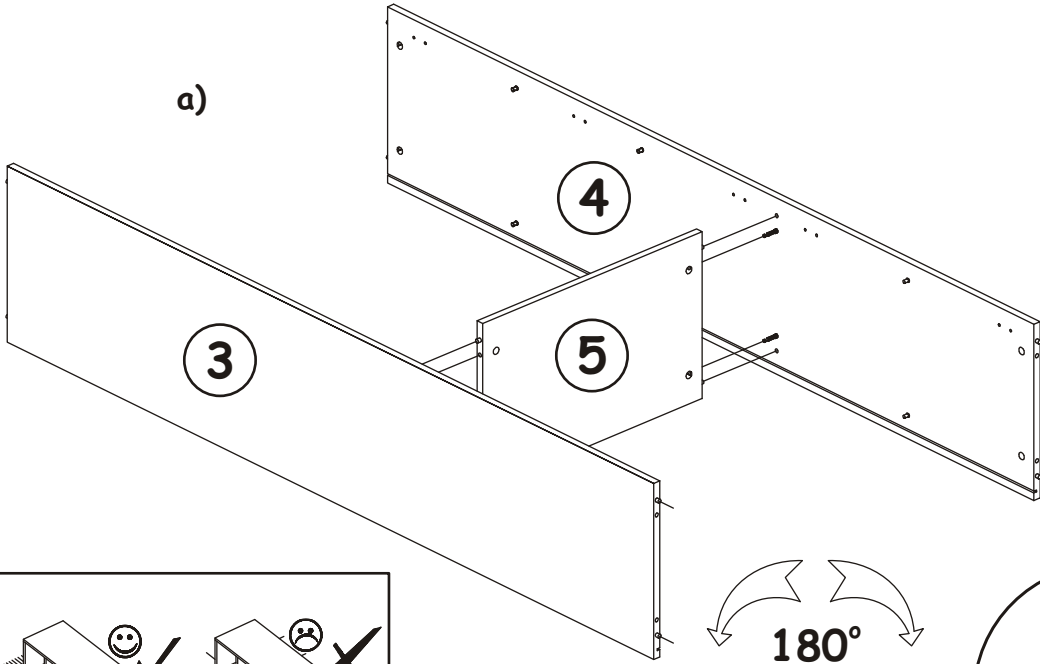
3



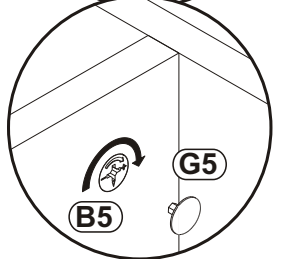
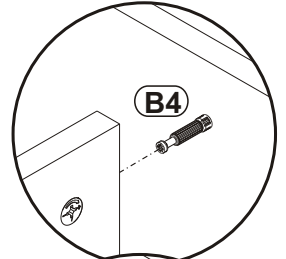
G5	
x4	

4

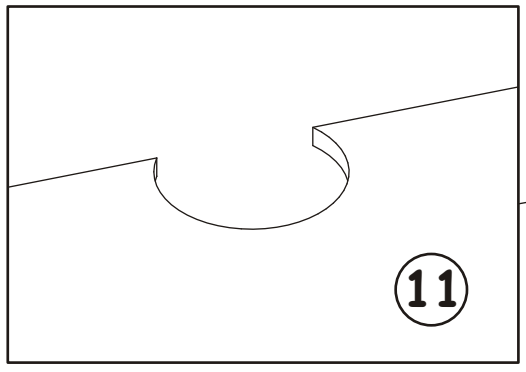
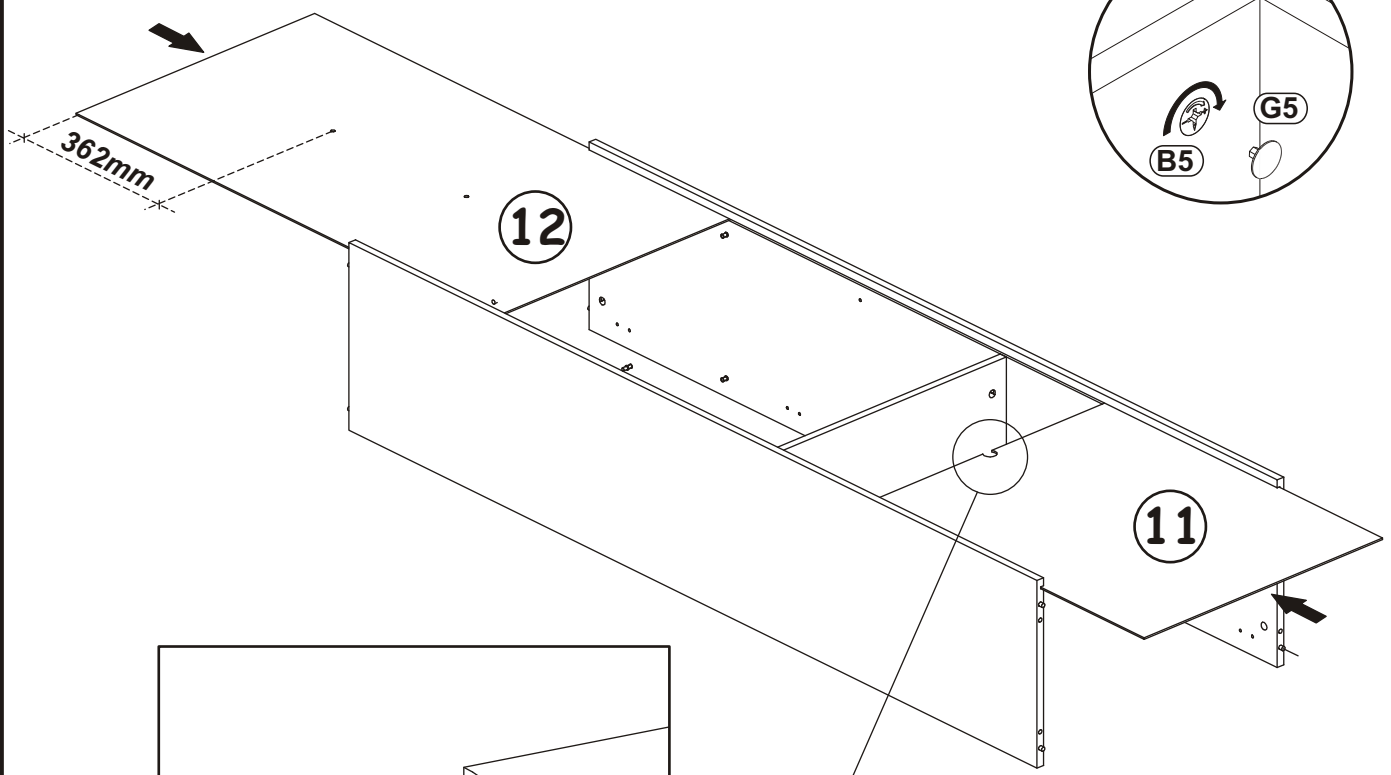
a)




180°



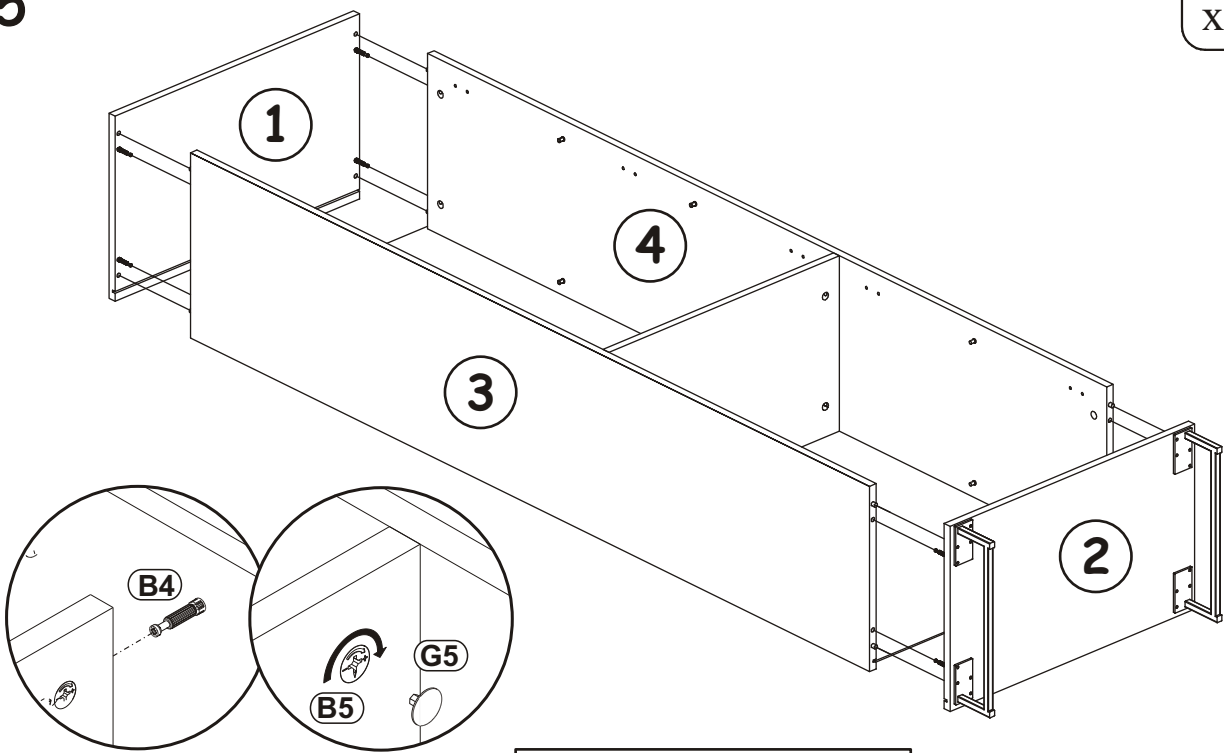
b)



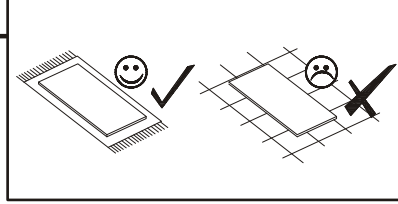
180°

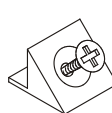
G5	
x8	

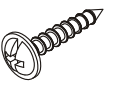
5

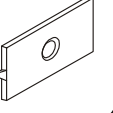


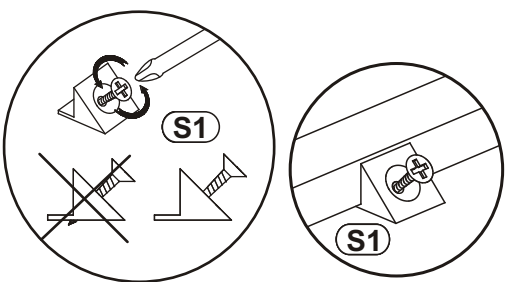
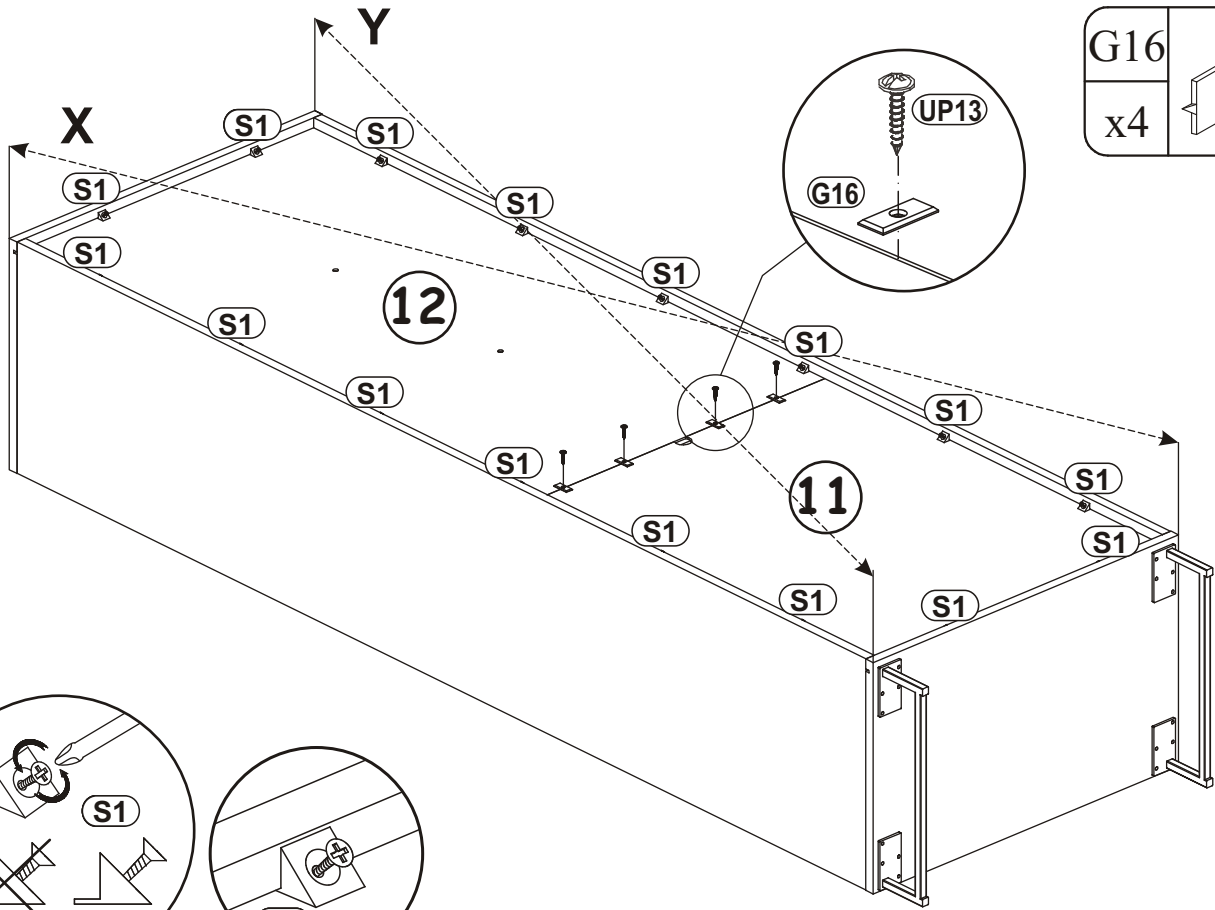
6



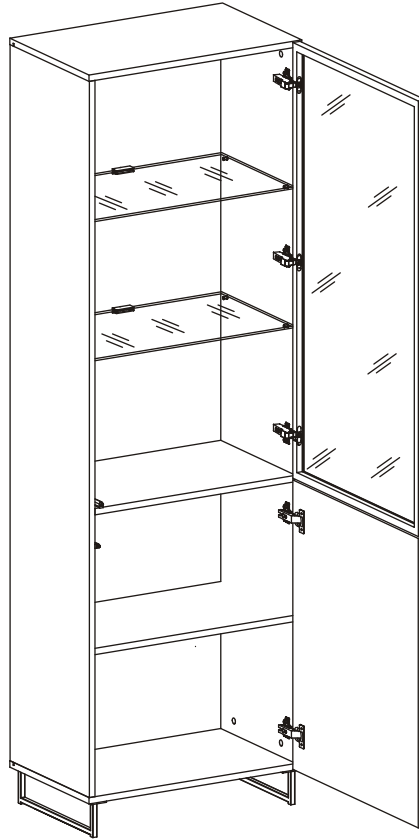
S1	
x16	

UP13	
x4	

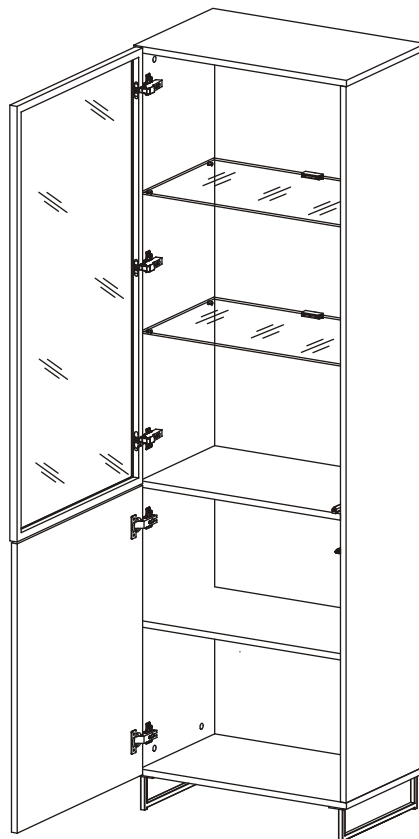
G16	
x4	



**7 - 10**



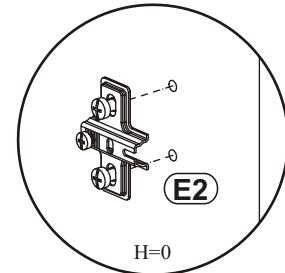
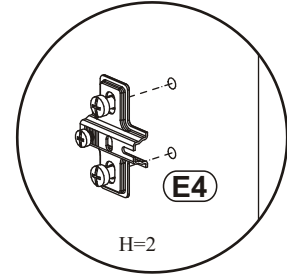
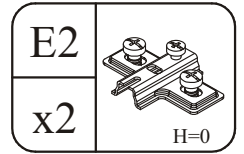
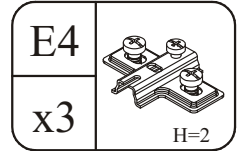
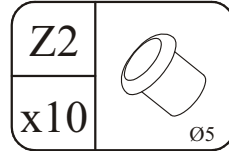
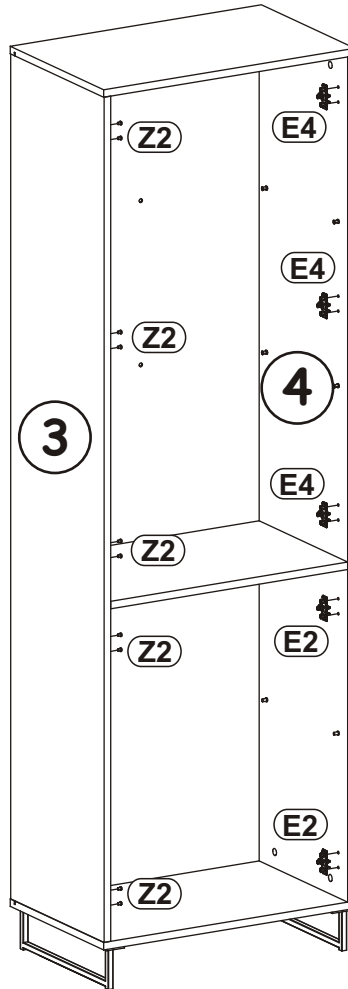
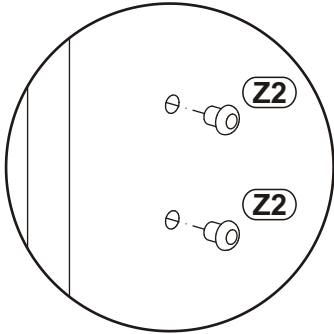
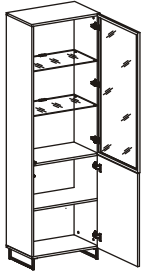
**11 - 14**



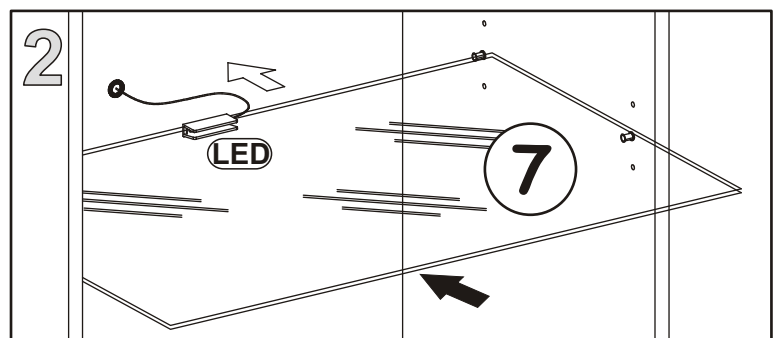
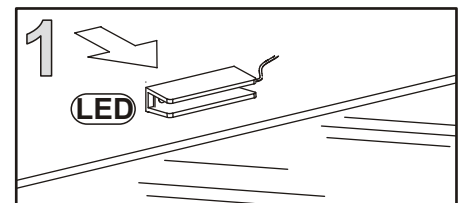
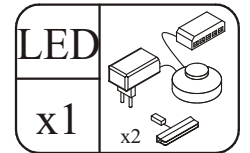
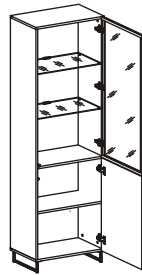
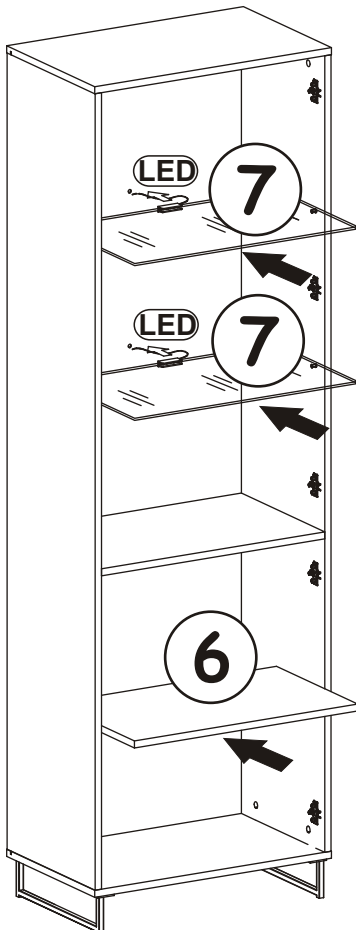


PLANK 29\_PNWSW

7

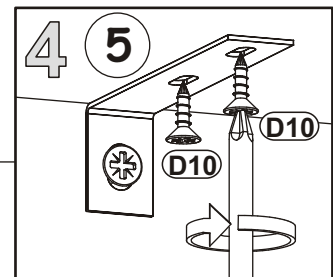
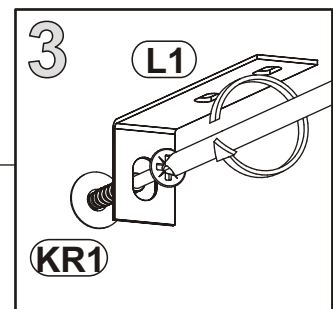
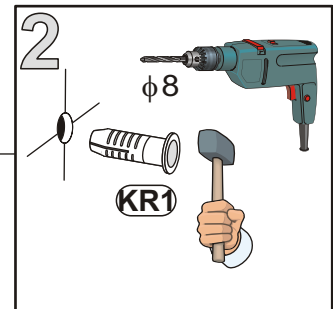
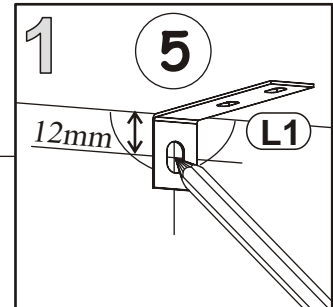
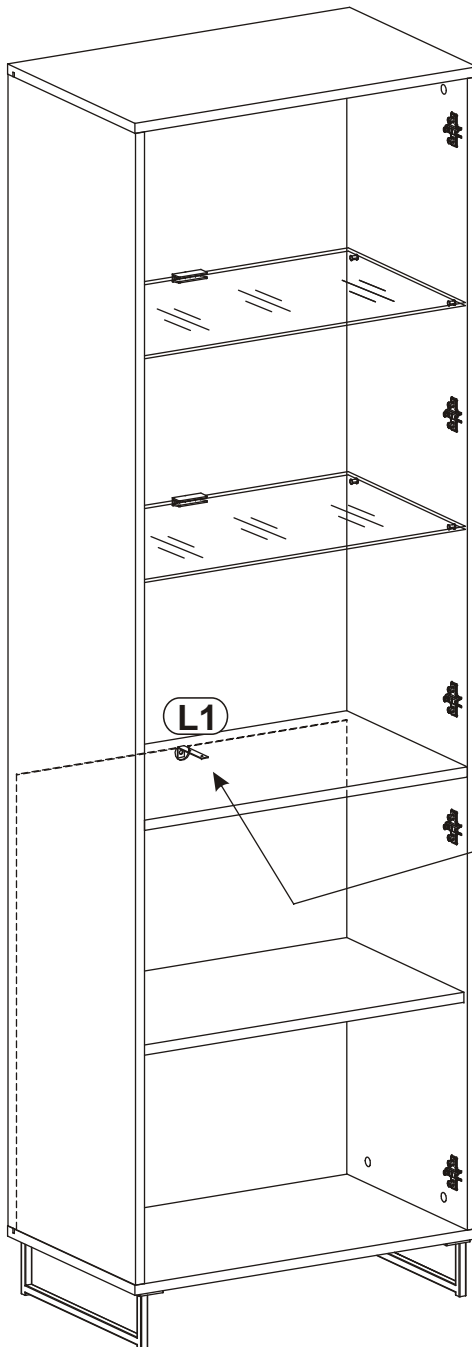
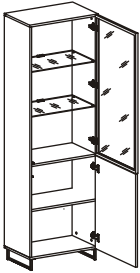
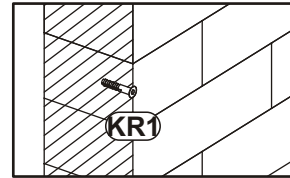
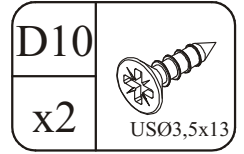
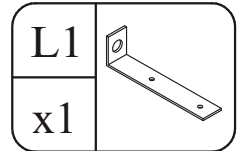
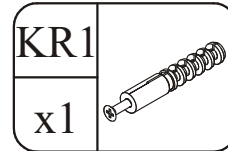
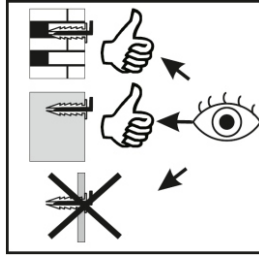
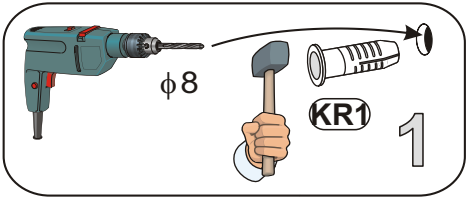


8





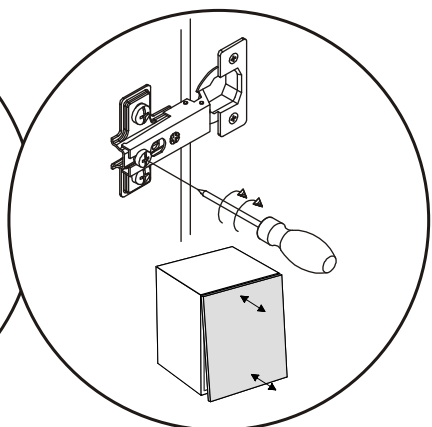
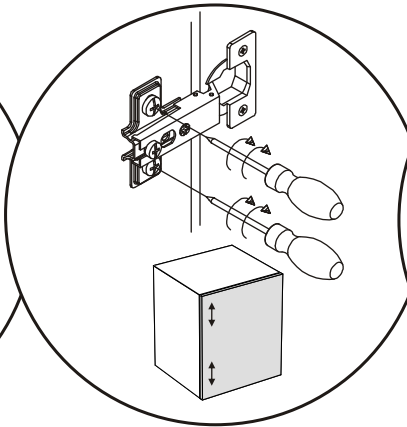
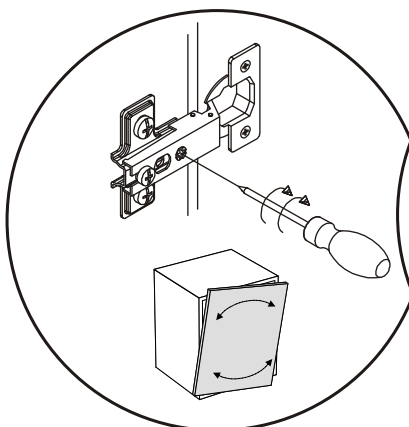
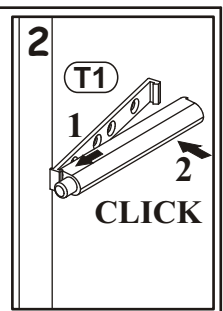
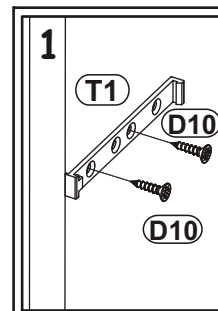
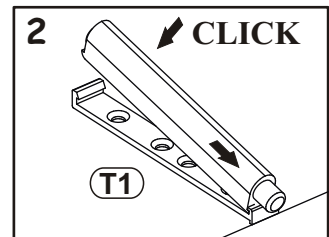
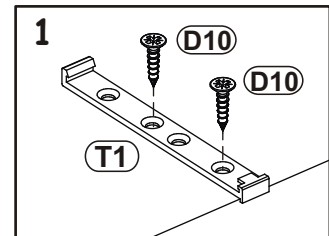
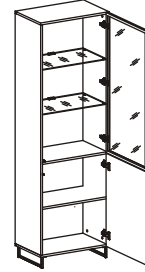
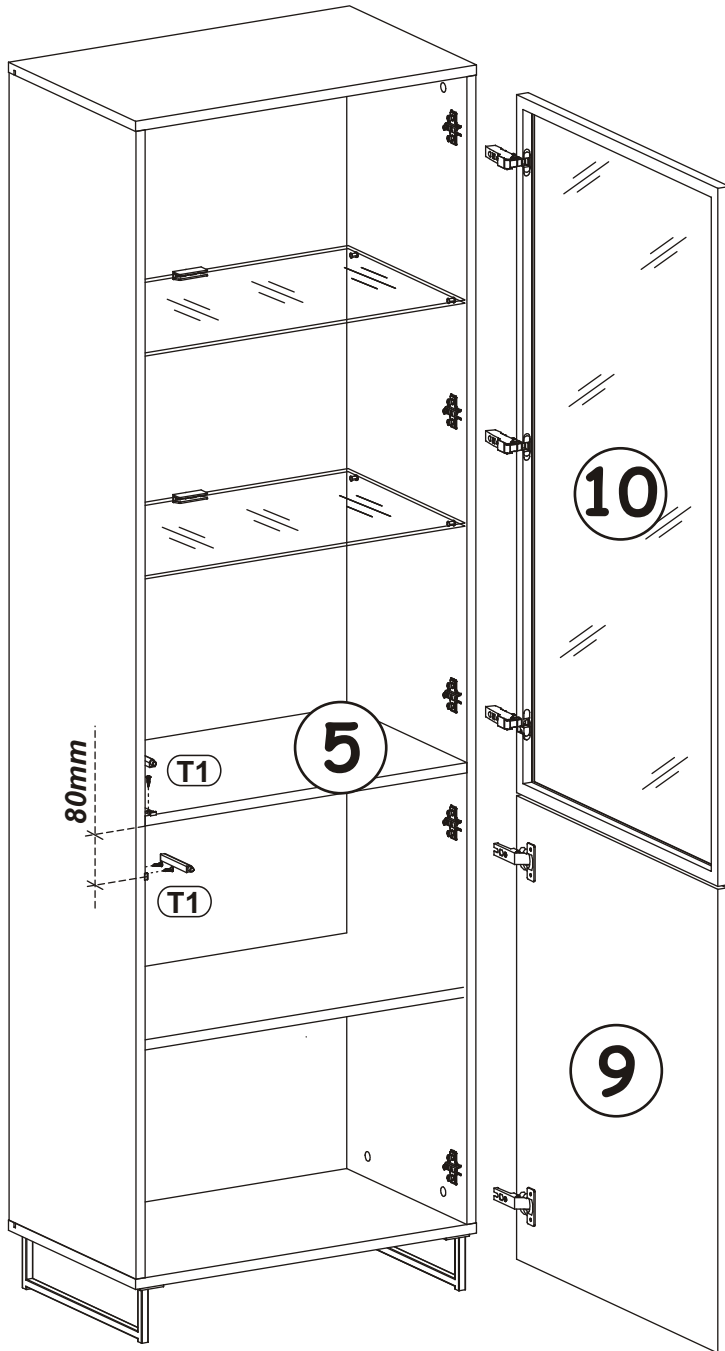
PLANK 29\_PNWSW

9



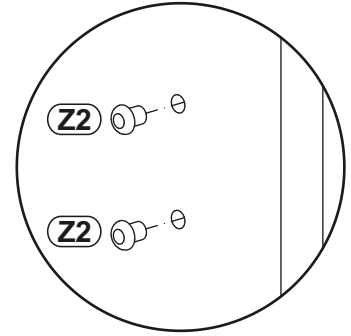
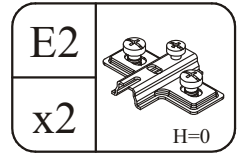
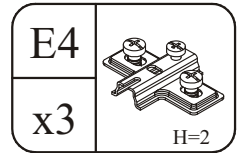
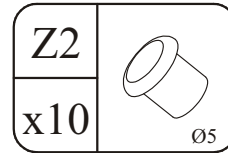
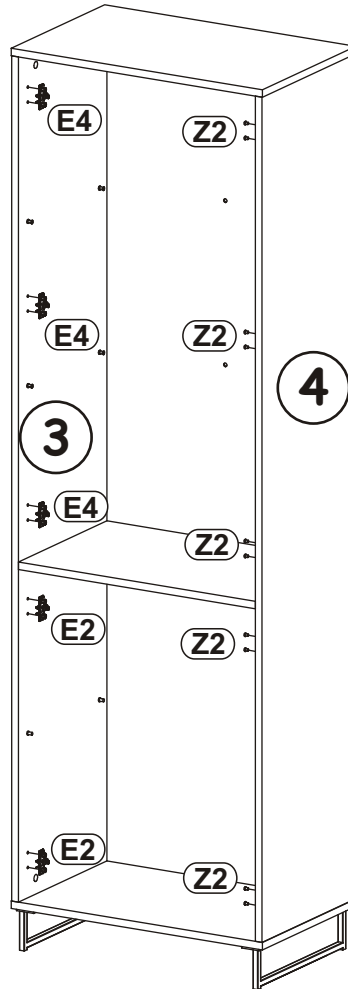
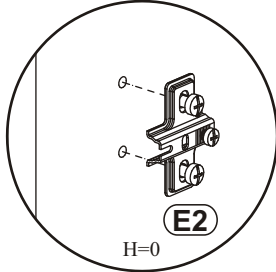
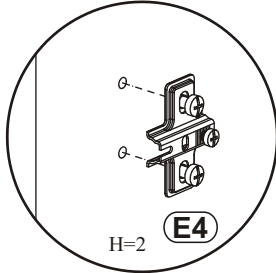
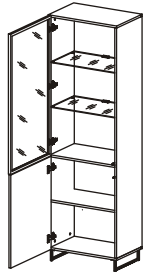
10

T1		D10	
x2		x4	USØ3,5x13

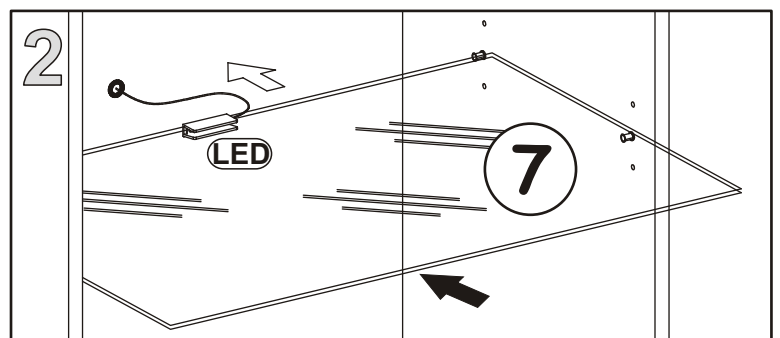
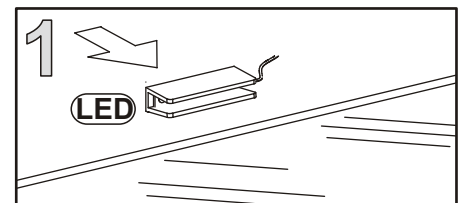
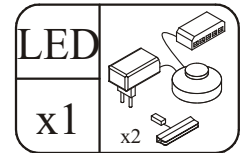
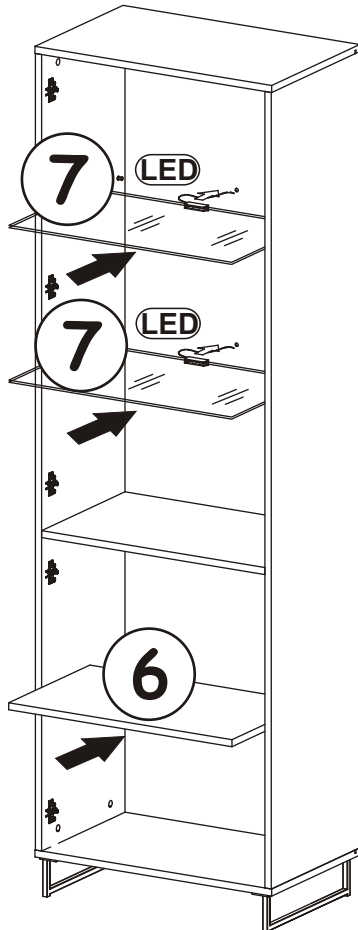


PLANK 29\_PNWSW

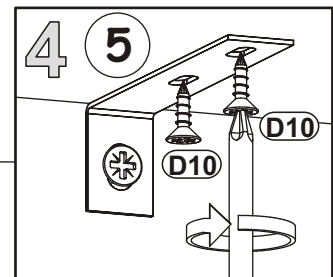
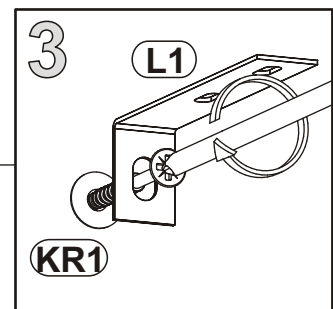
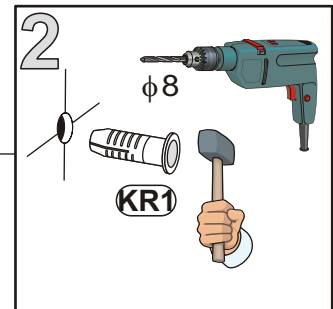
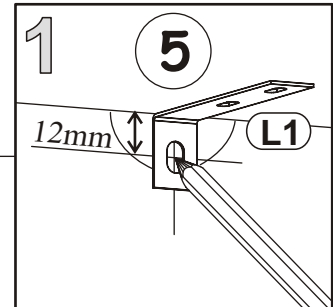
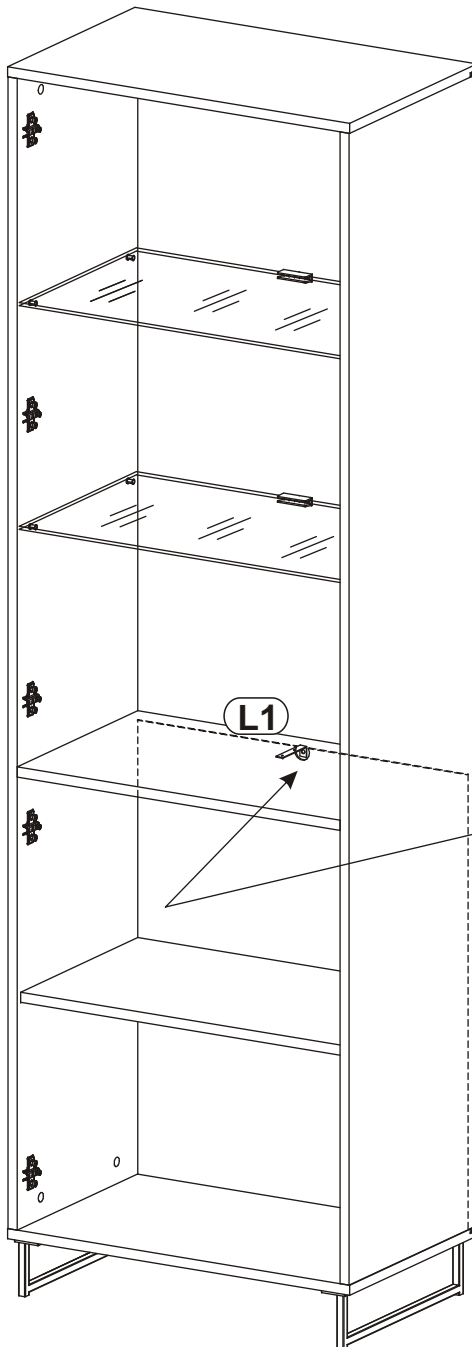
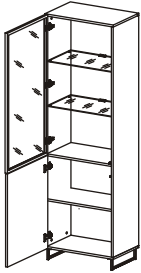
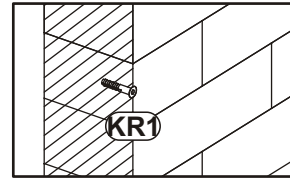
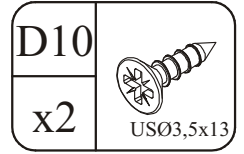
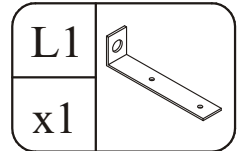
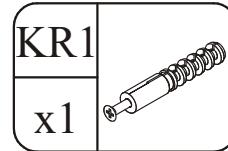
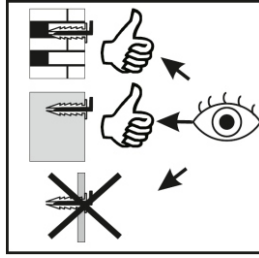
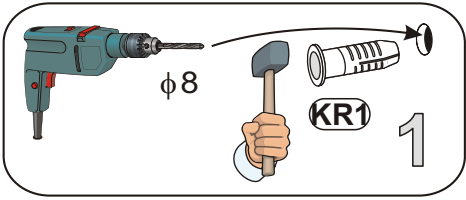
11



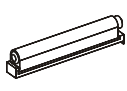
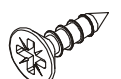
12

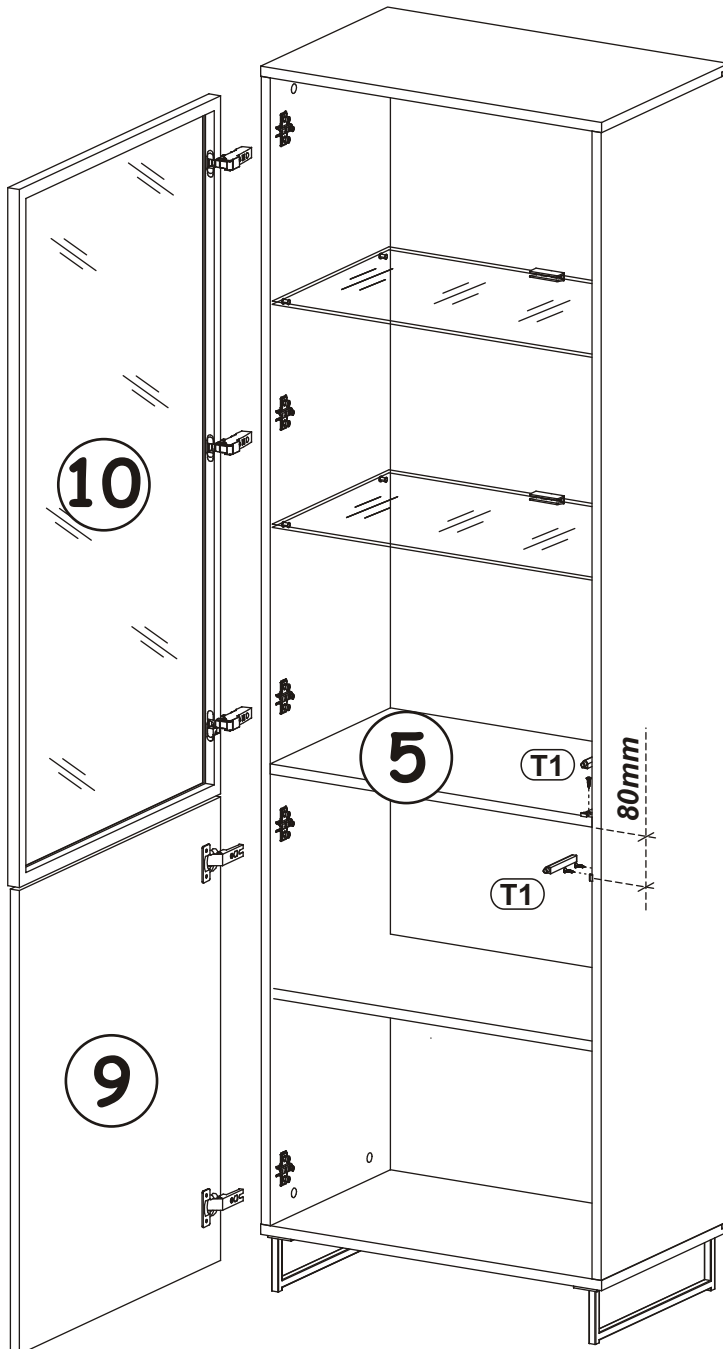


13



14

T1		D10	
x2		x4	USØ3,5x13



CLICK

