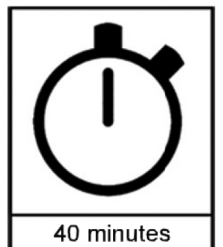
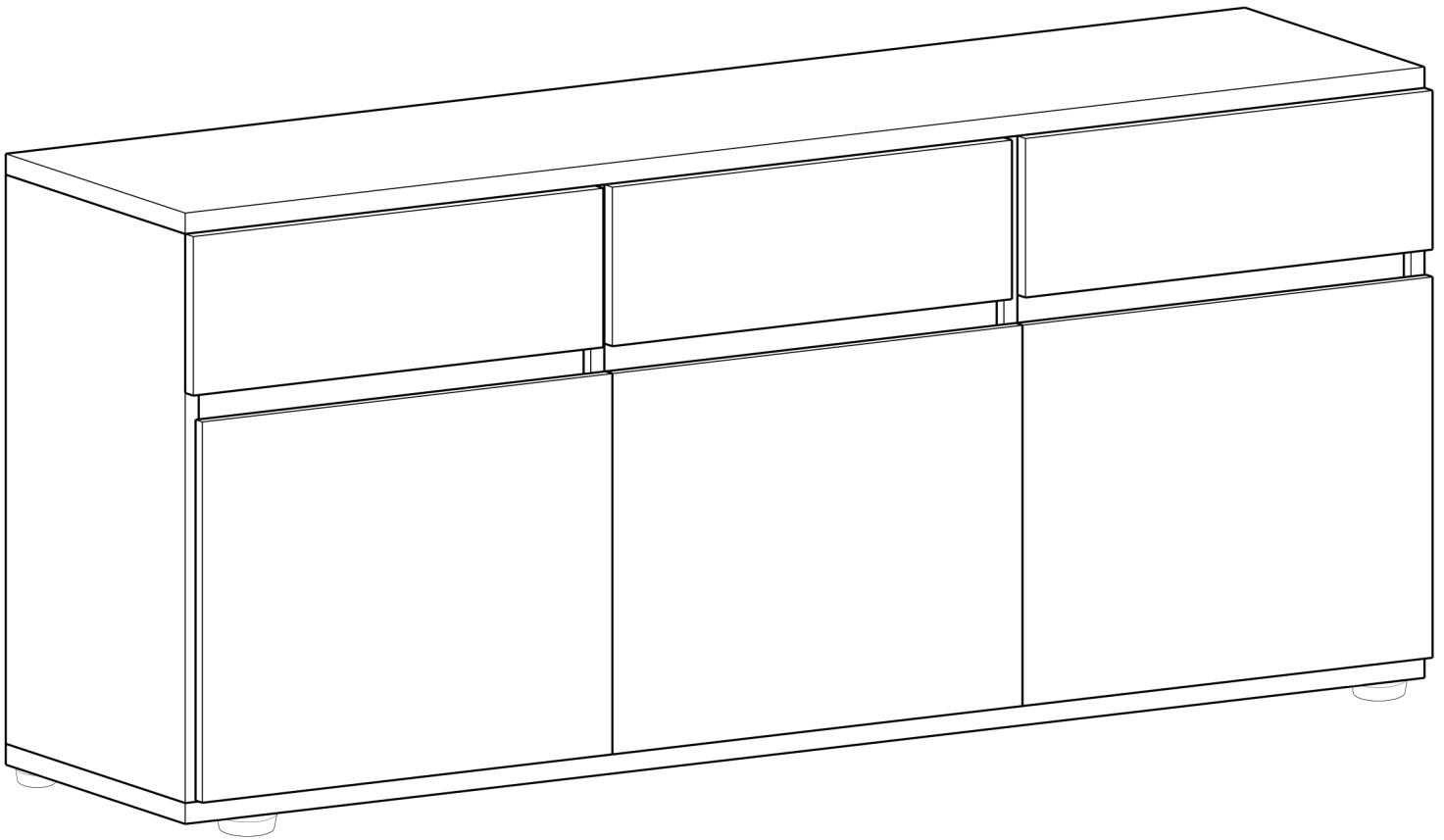
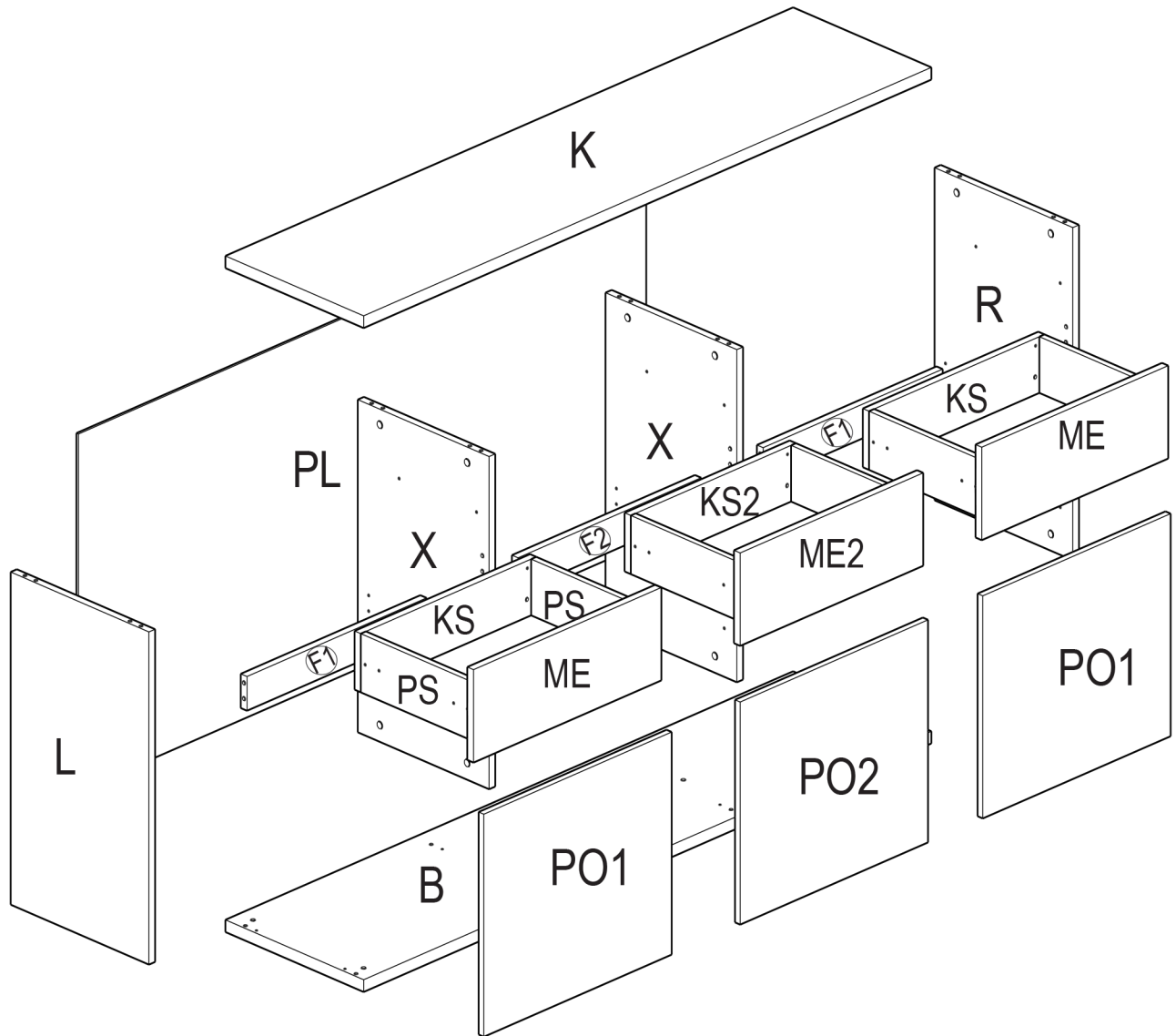
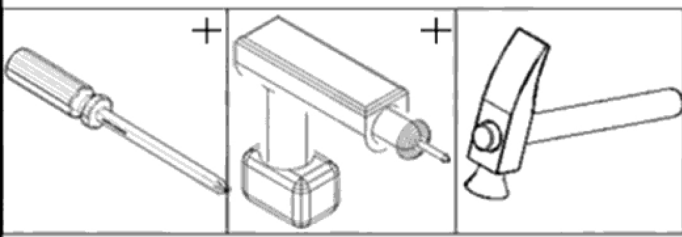
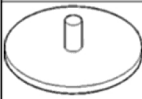

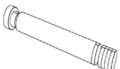


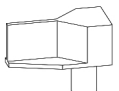




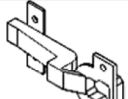
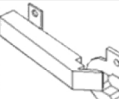
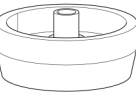


# ADK 1034

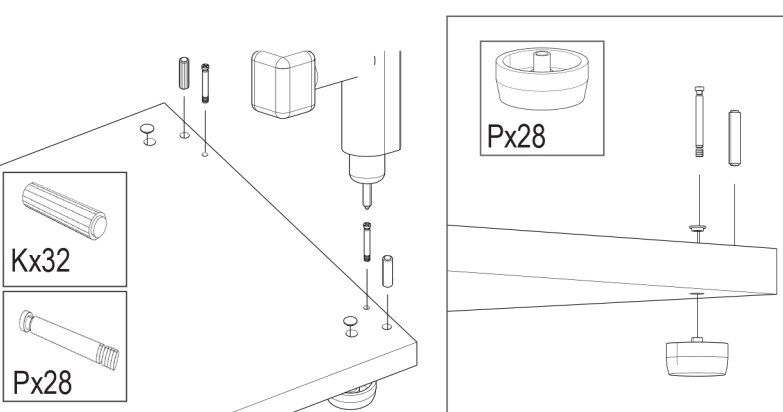
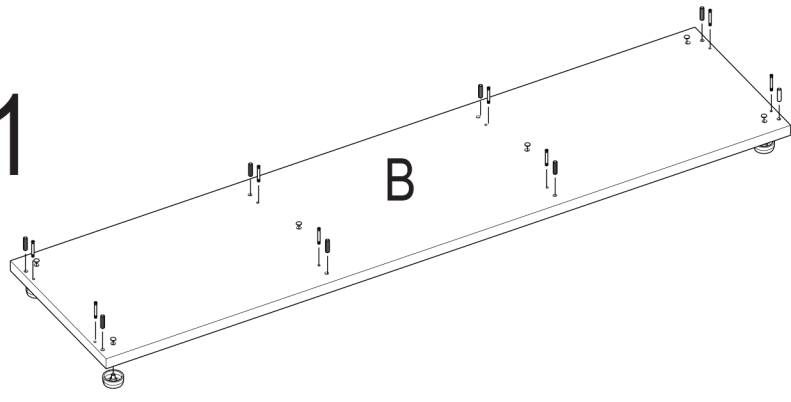


# USING TOOLS

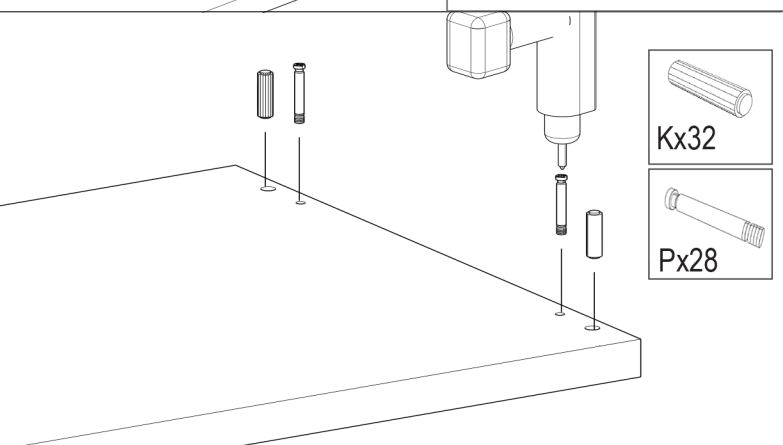
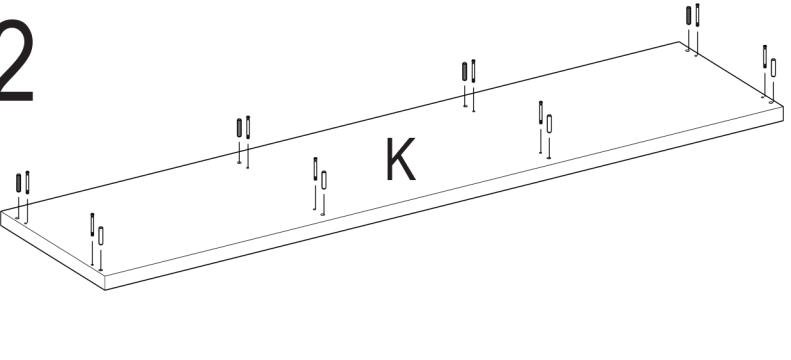


 Tx28	 Fx28	 Px28	 Kx32	 KMx4	 TRx12	 KRx40
 EUx12	 O1 O2	 Vx36	 M1x2	 Mx4	 Px6	

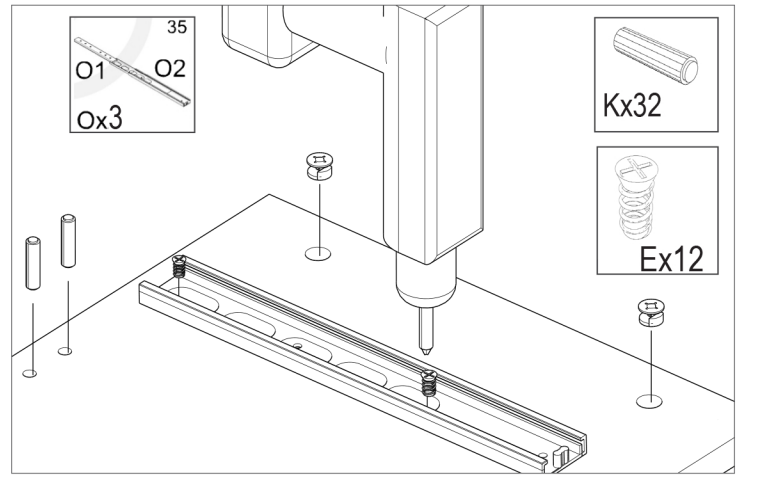
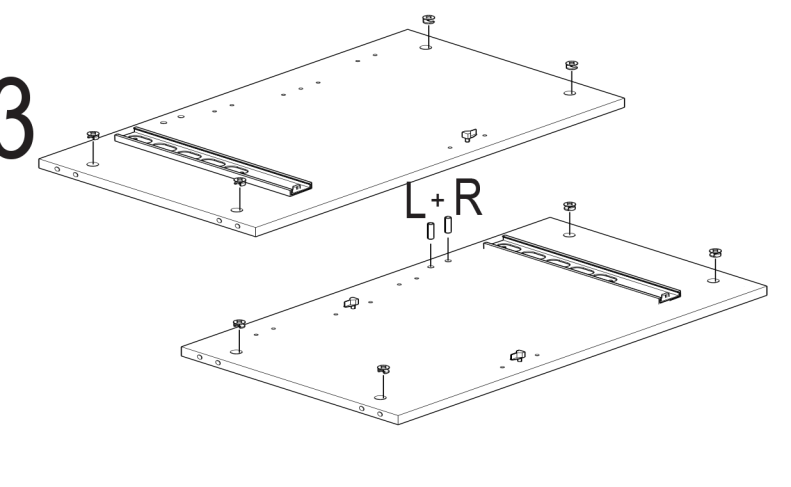
1



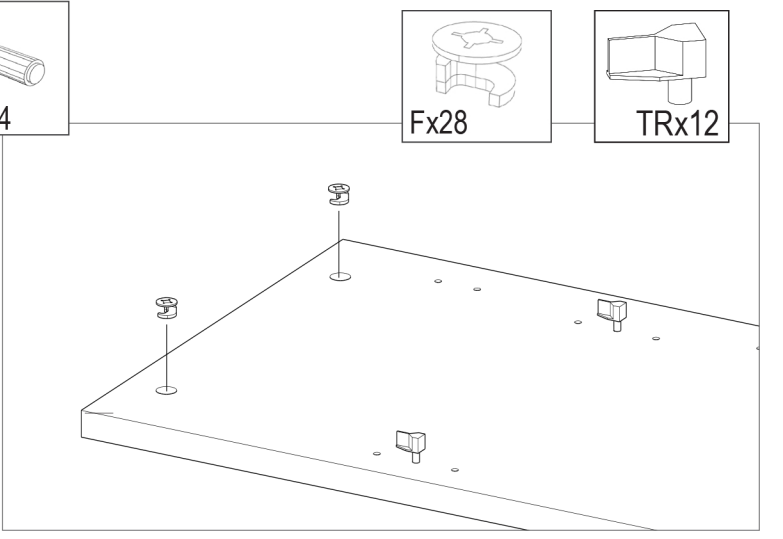
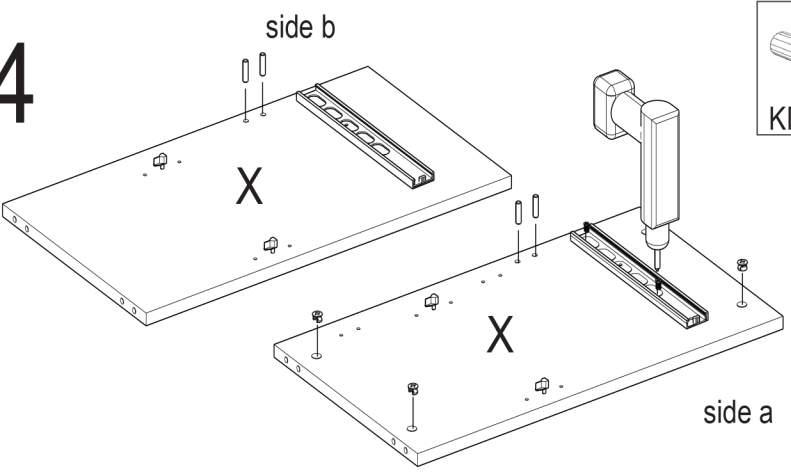
2



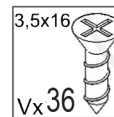
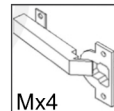
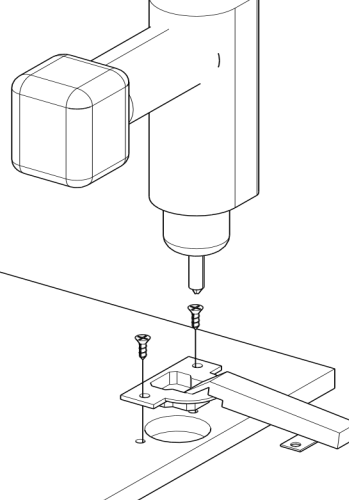
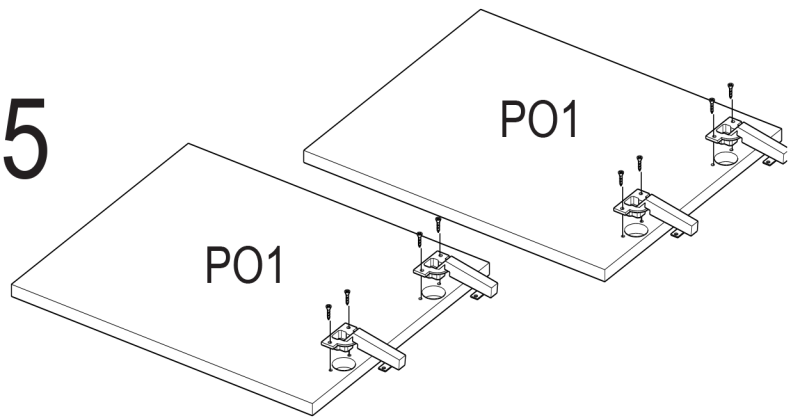
3



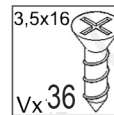
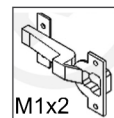
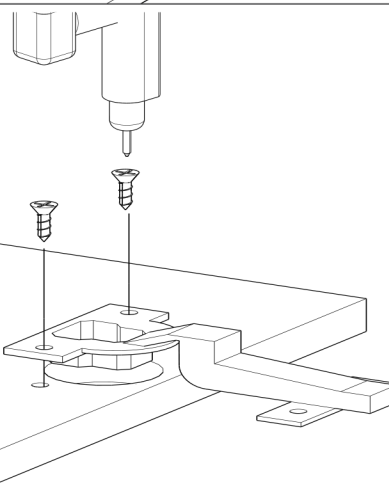
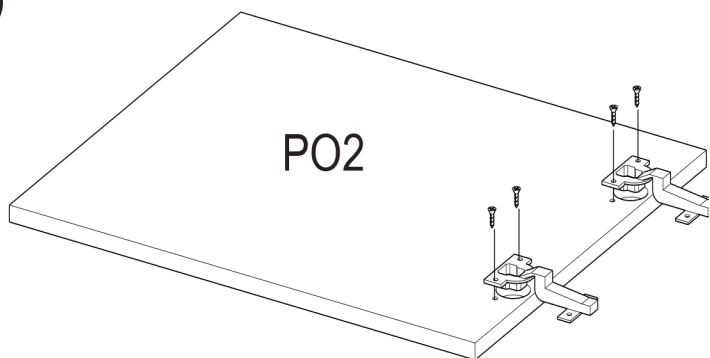
4



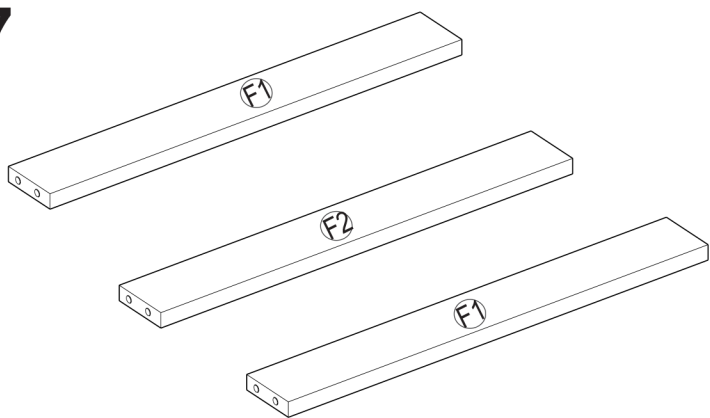
5



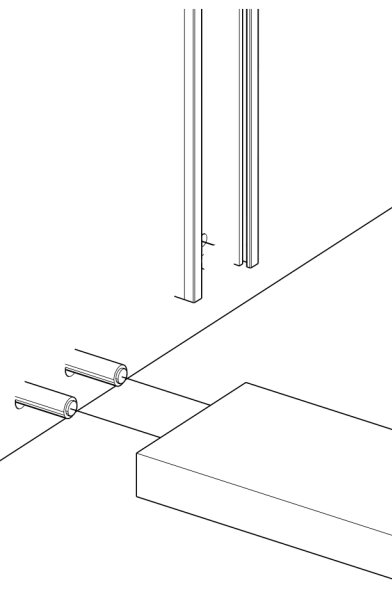
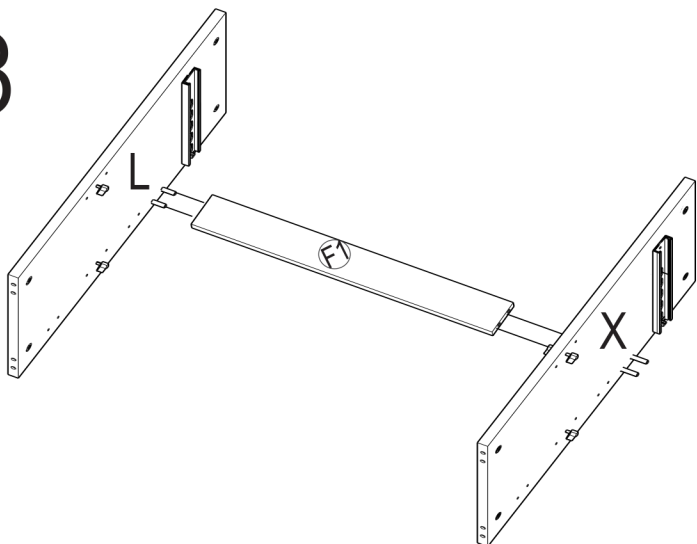
6



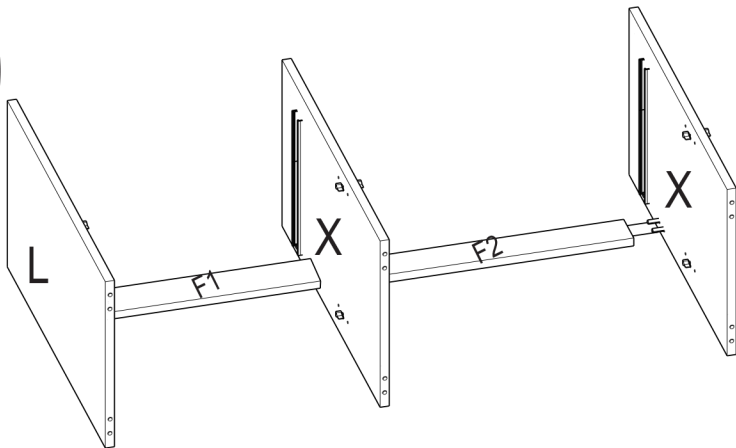
7



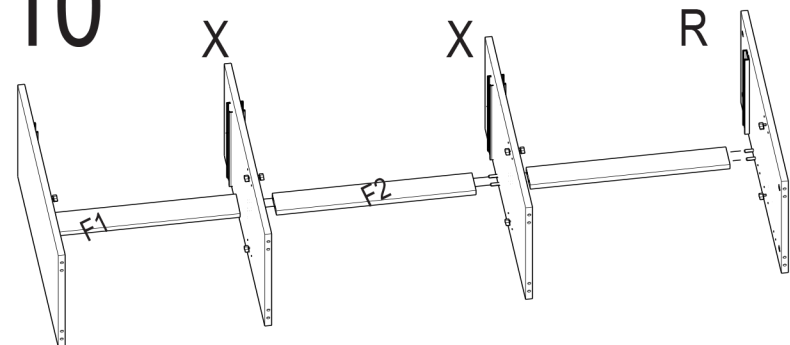
8



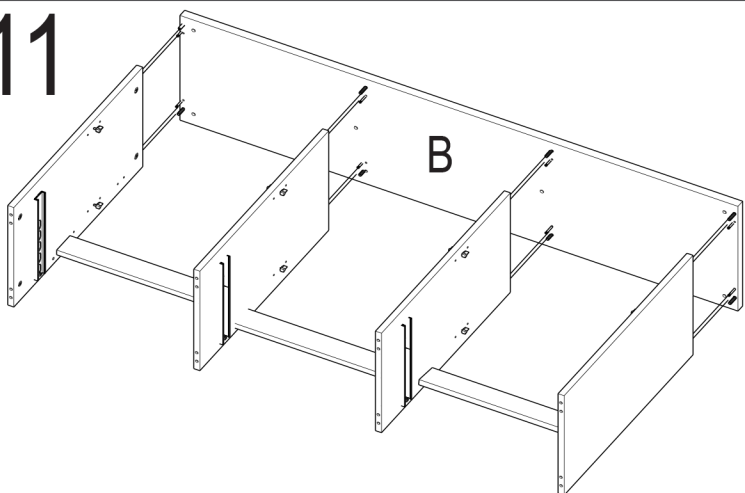
9



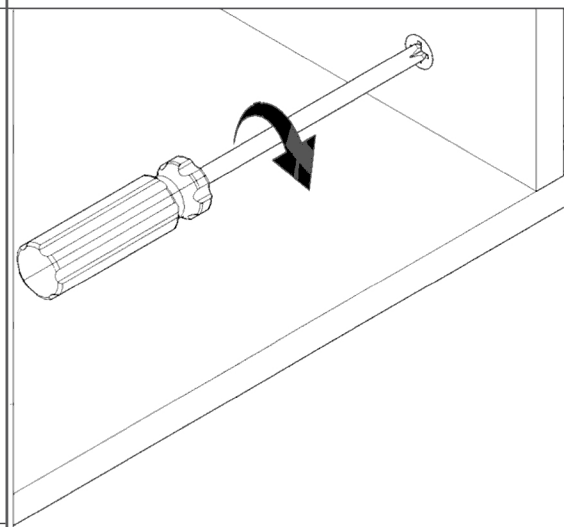
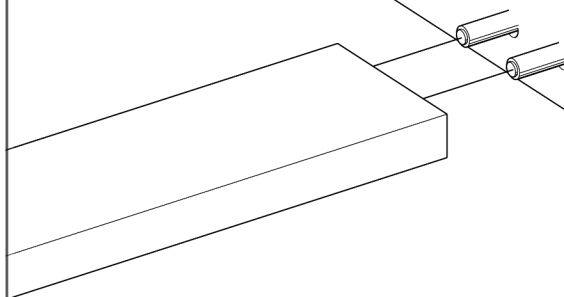
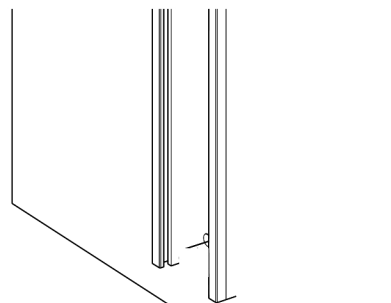
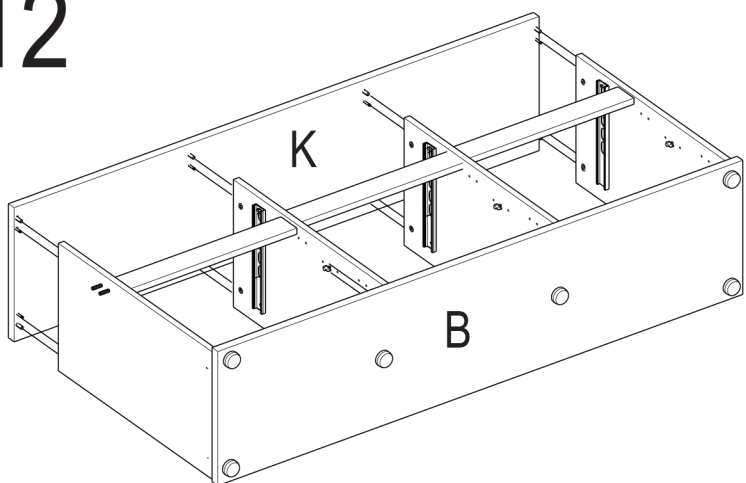
10



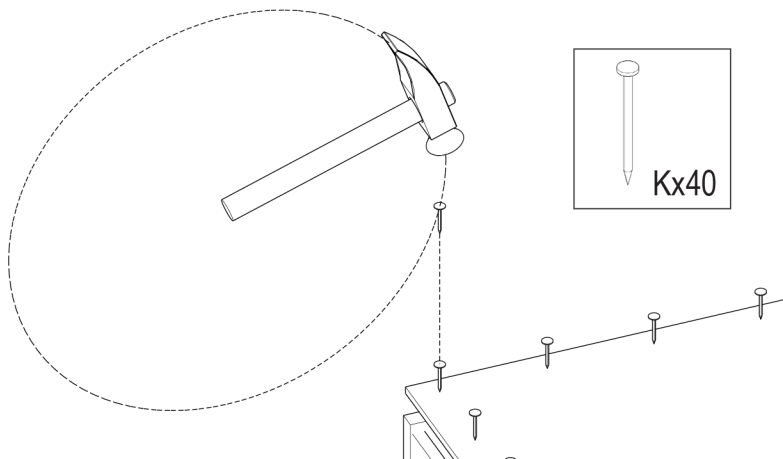
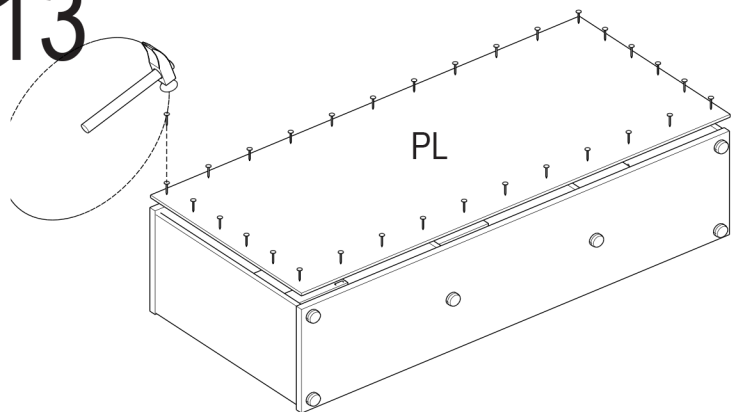
11



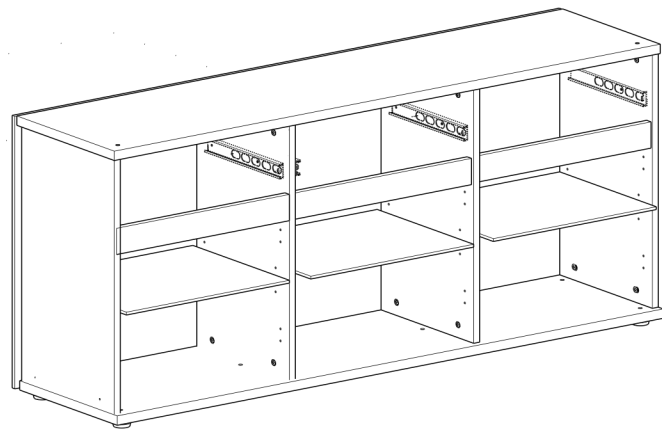
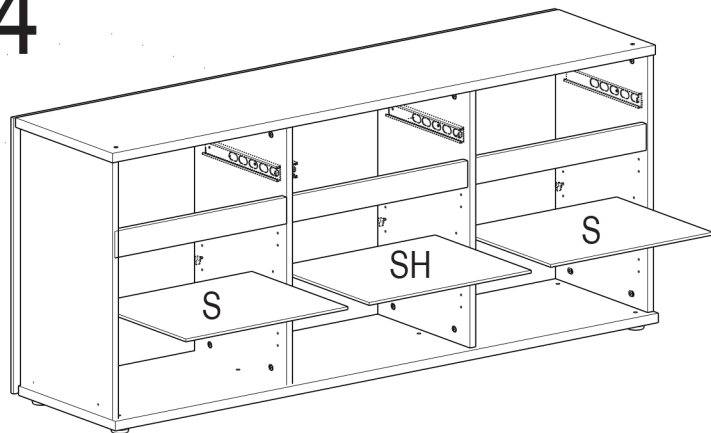
12



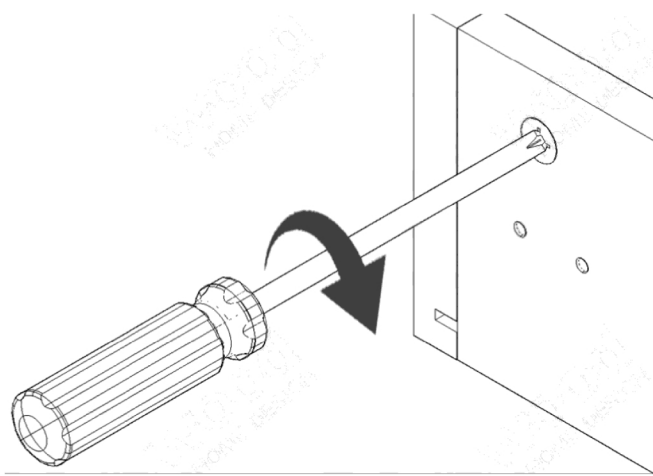
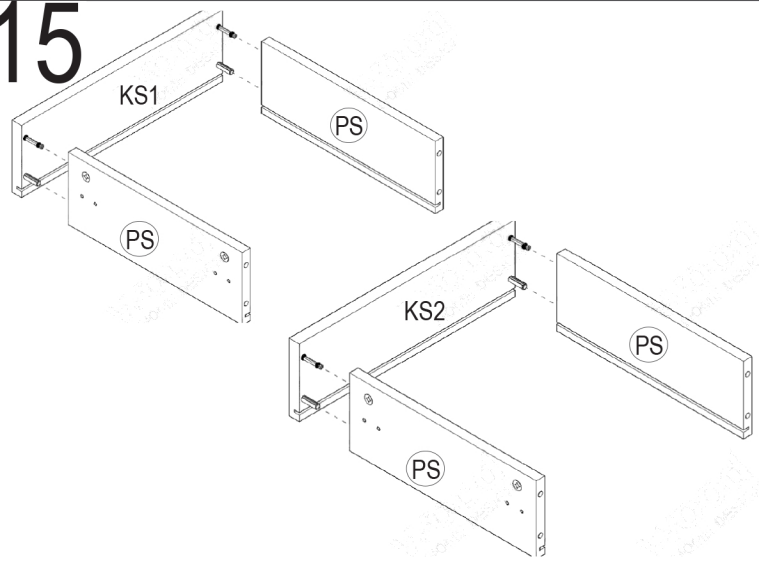
13



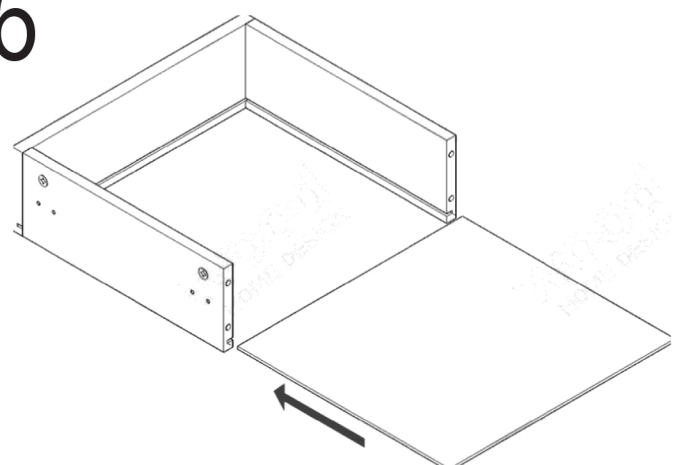
14



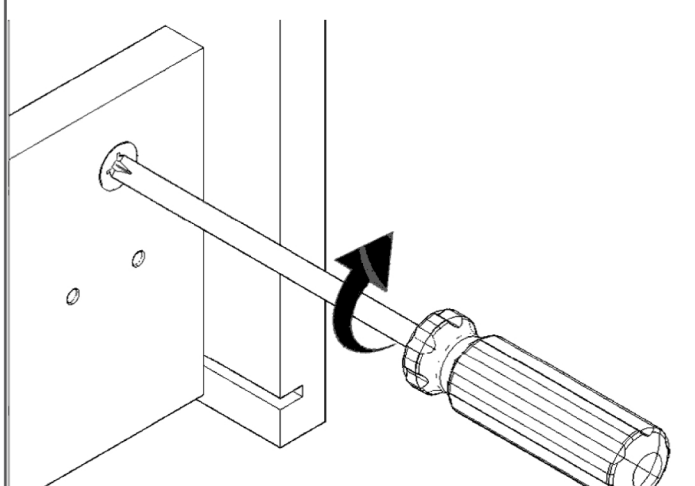
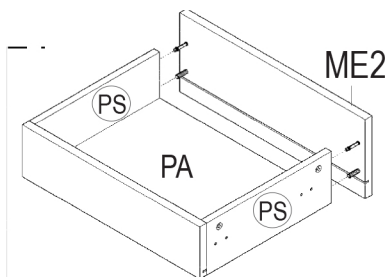
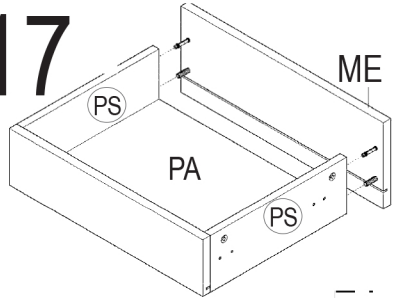
15



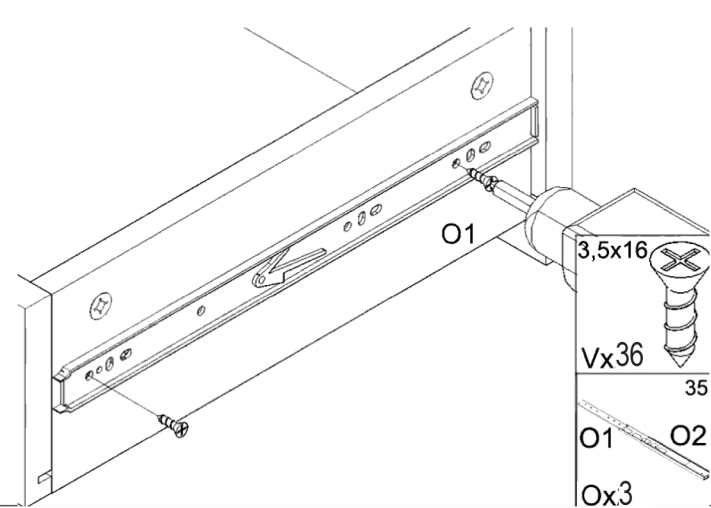
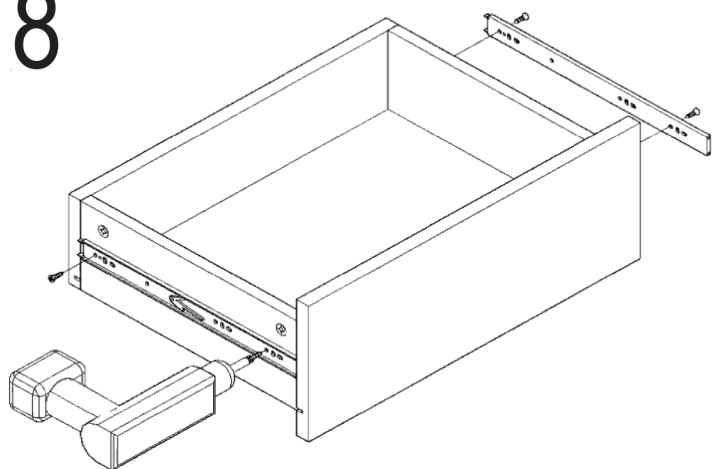
16



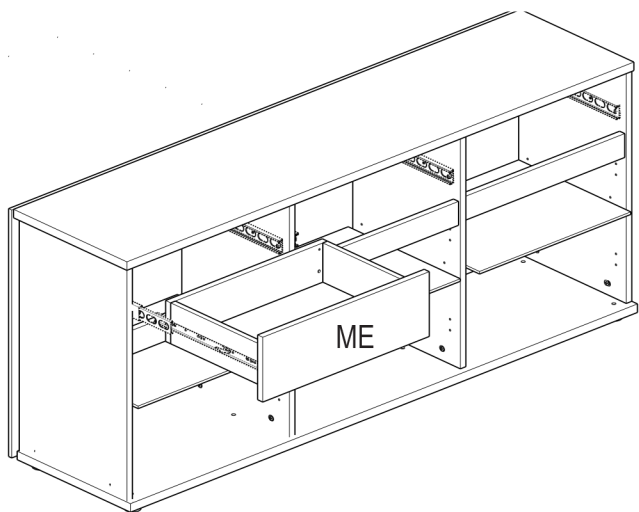
# 17



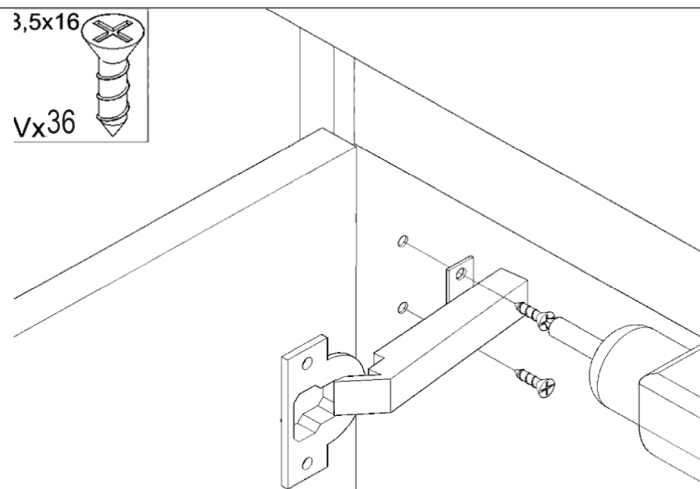
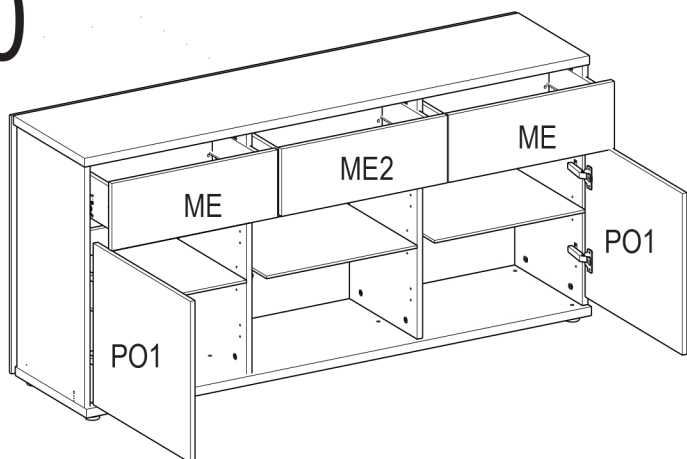
# 18



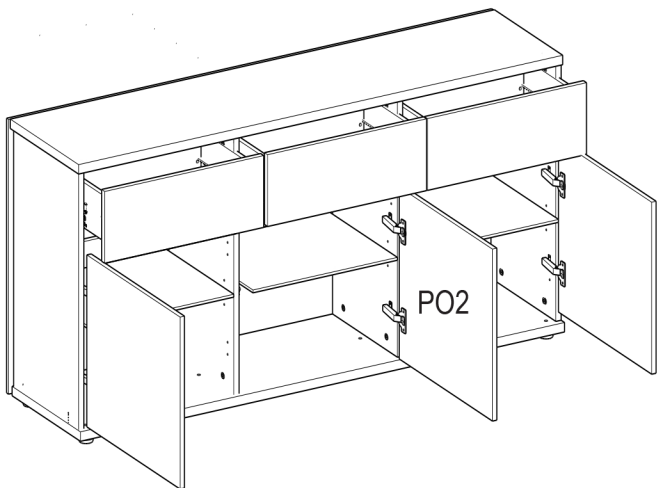
# 19



# 20



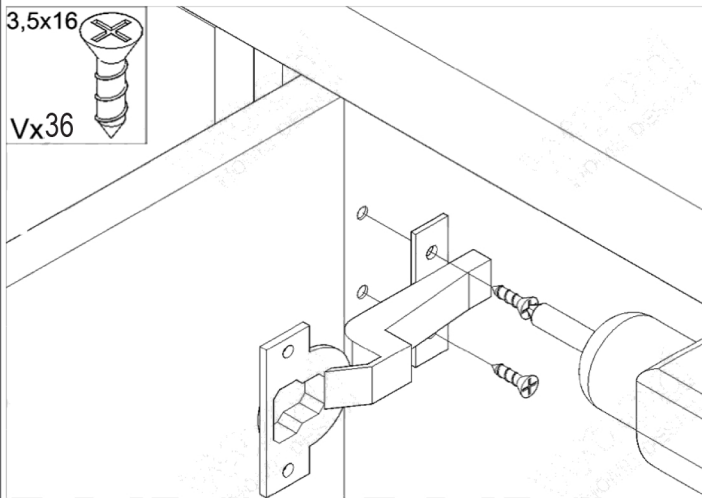
21



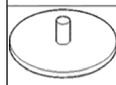
3,5x16



Vx36



PLASTIC COVER CAPS



Tx32



Fx32

