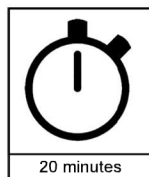
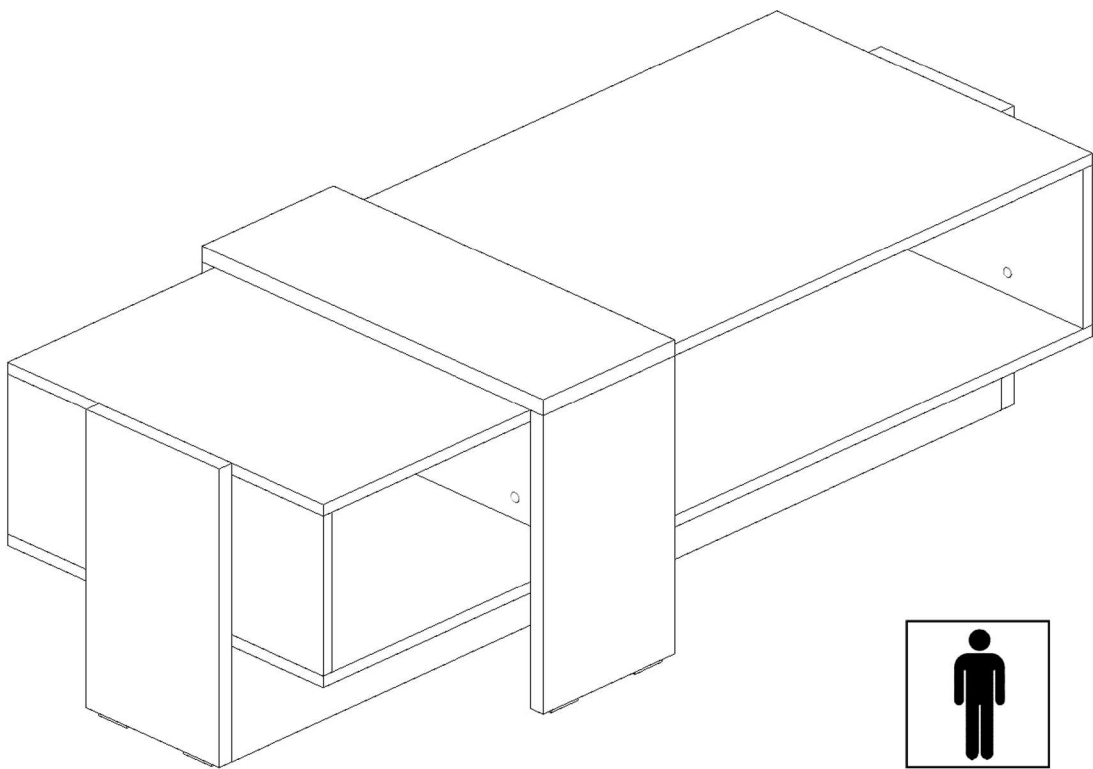
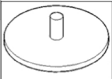
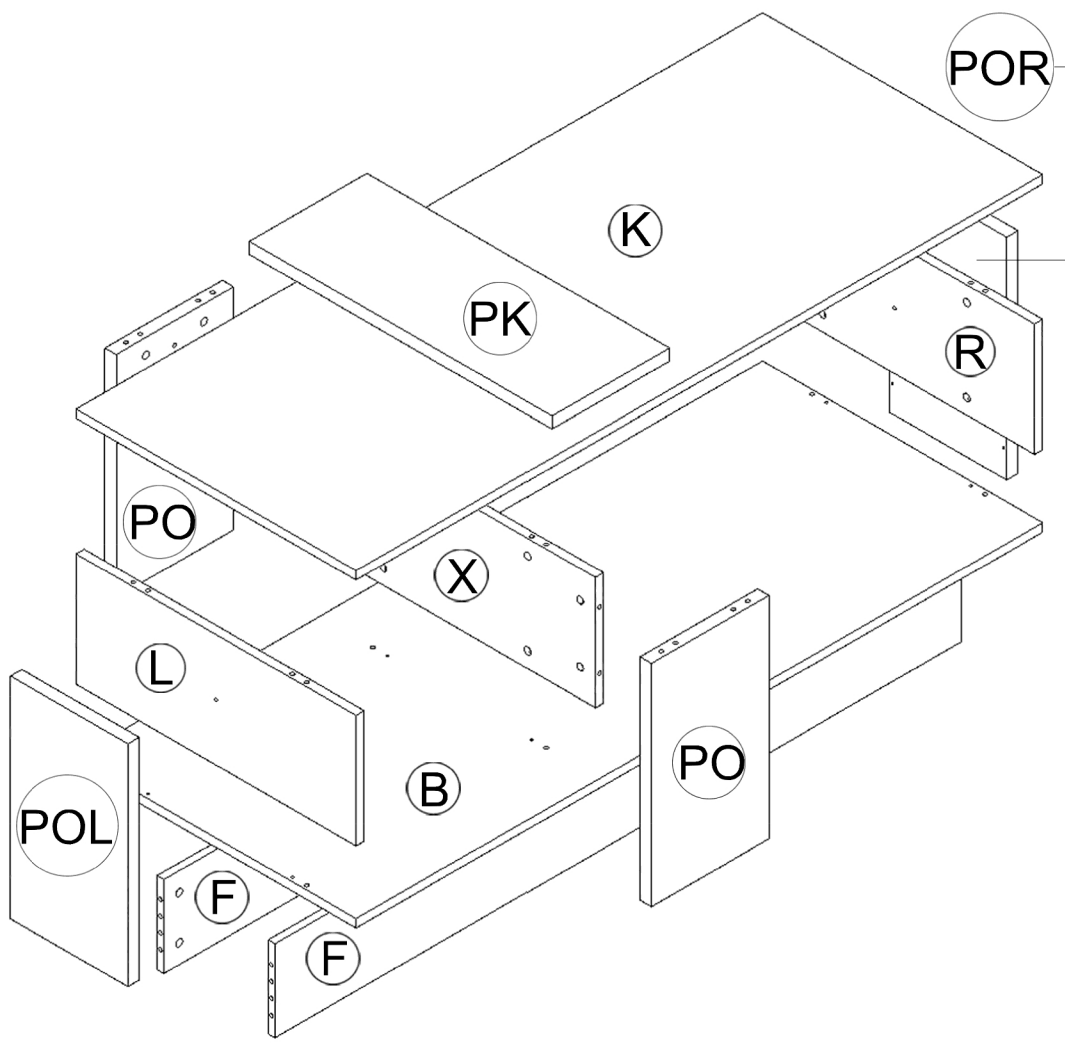
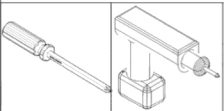


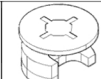
# ADK 142



USING TOOLS



Tx28



Fx32



Px32



Kx28



VBx2



Bx2



Vx20



30



Bx2



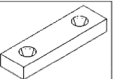
Vx20



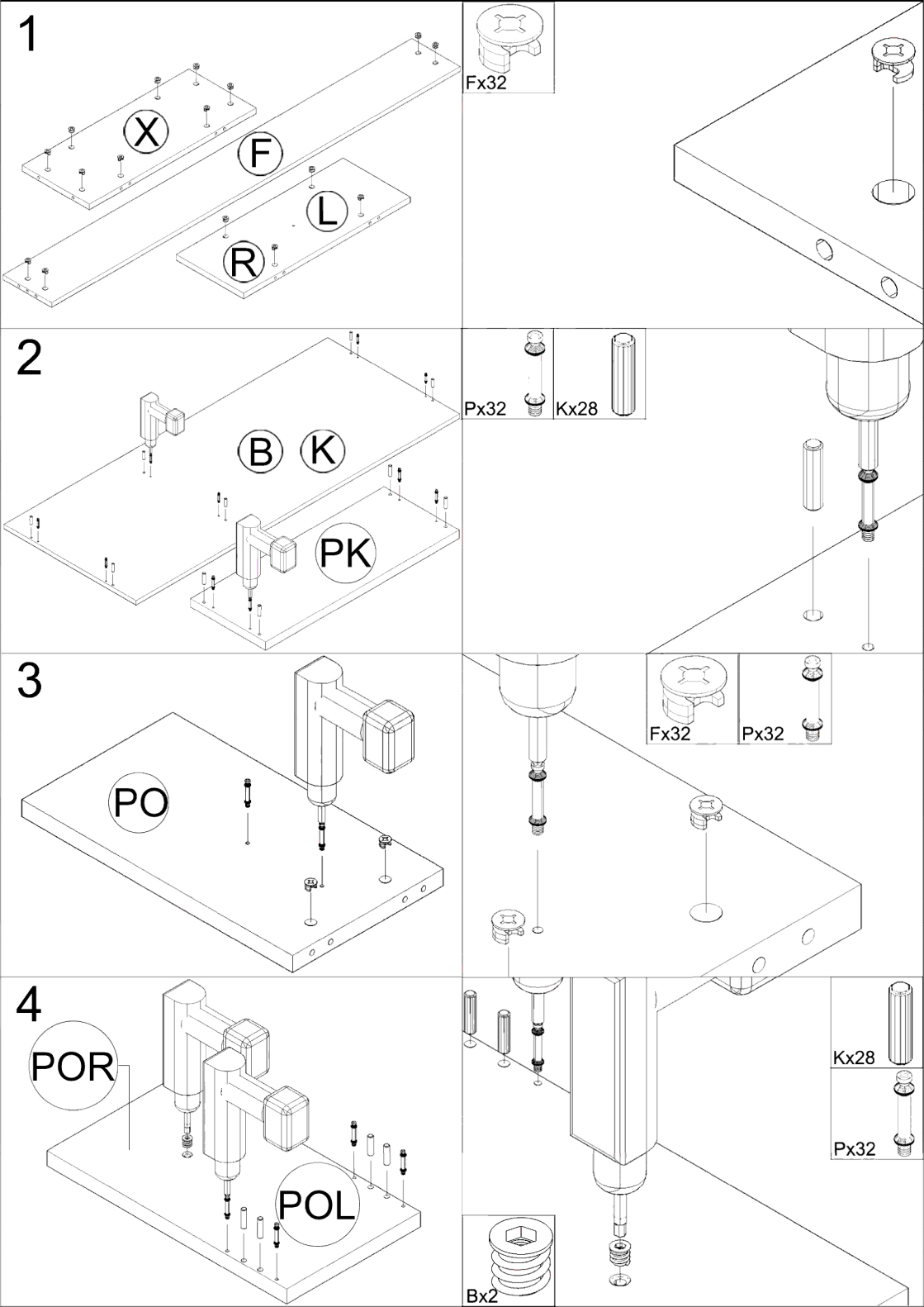
3.5x16

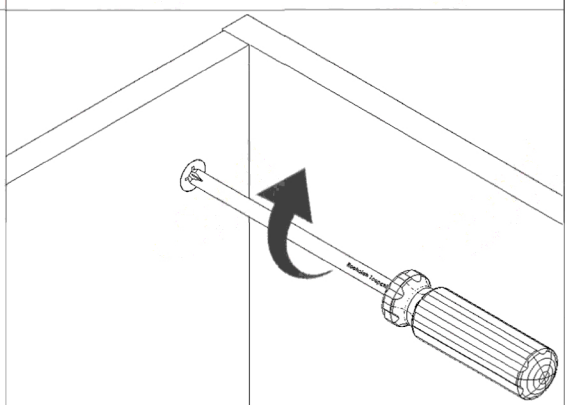
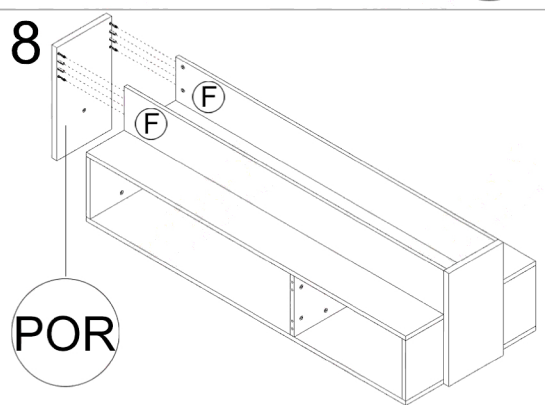
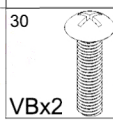
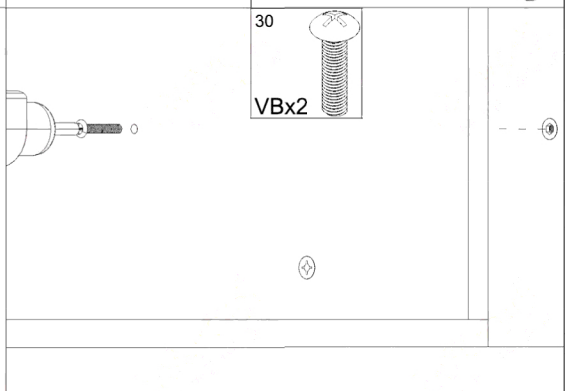
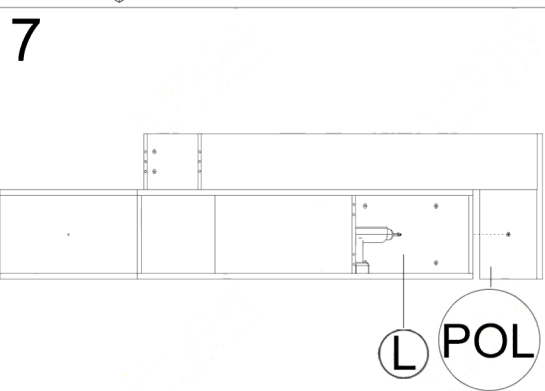
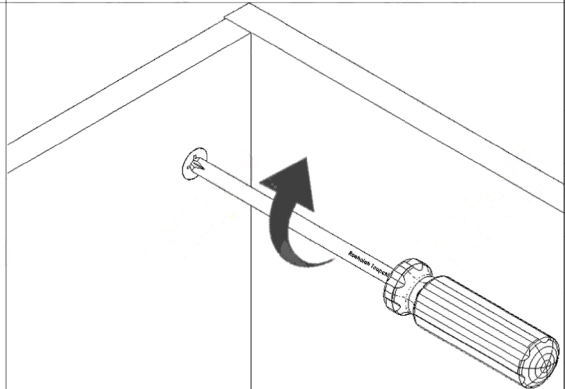
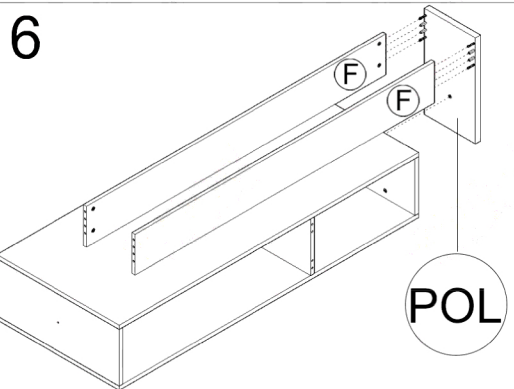
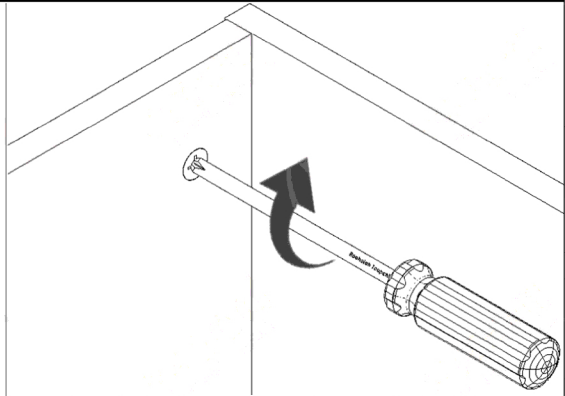
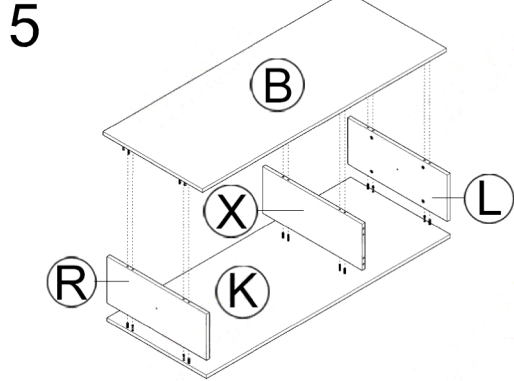


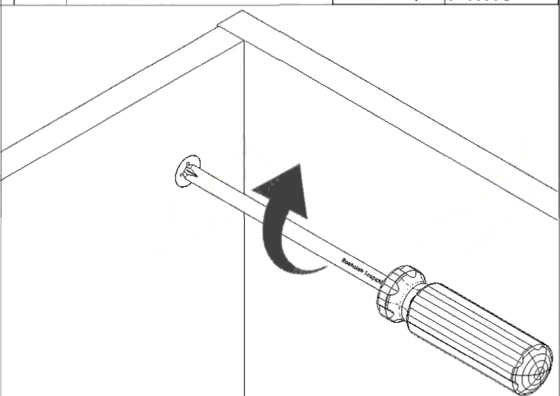
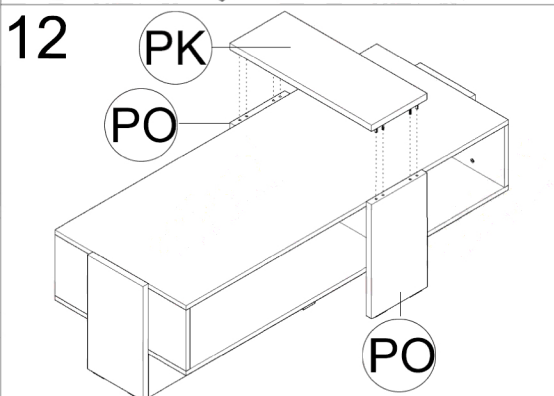
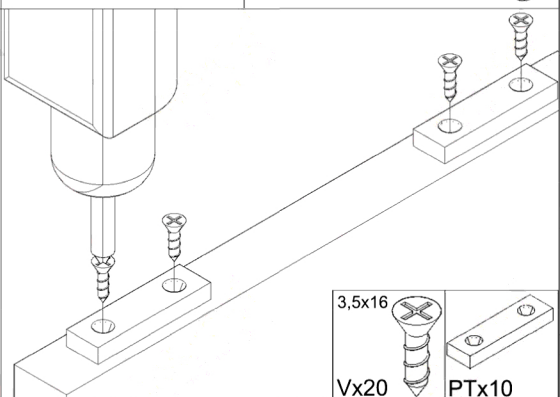
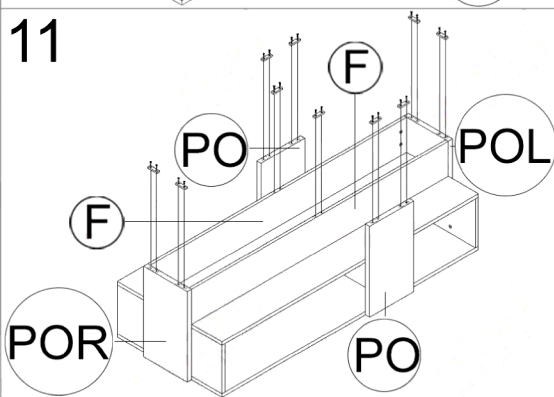
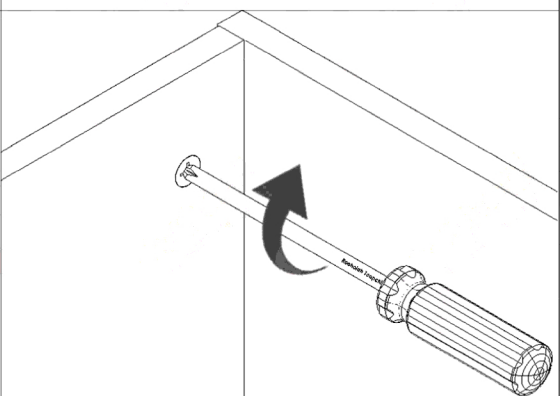
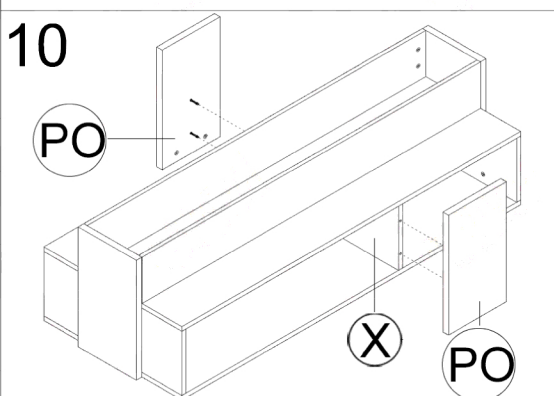
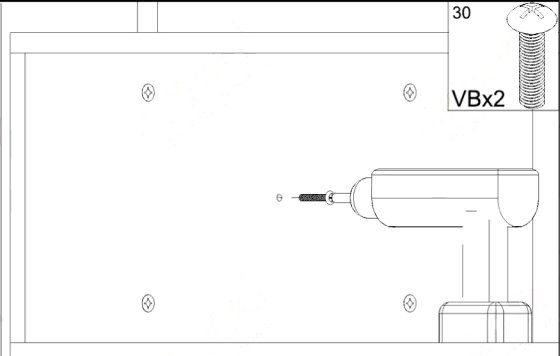
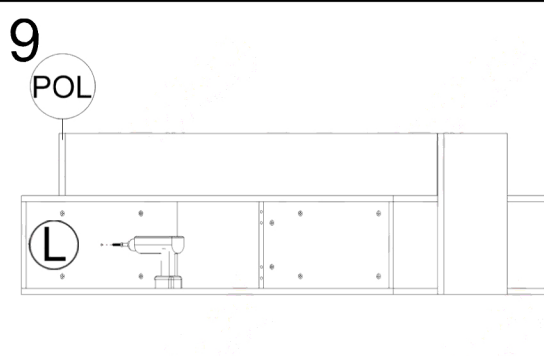
PTx10

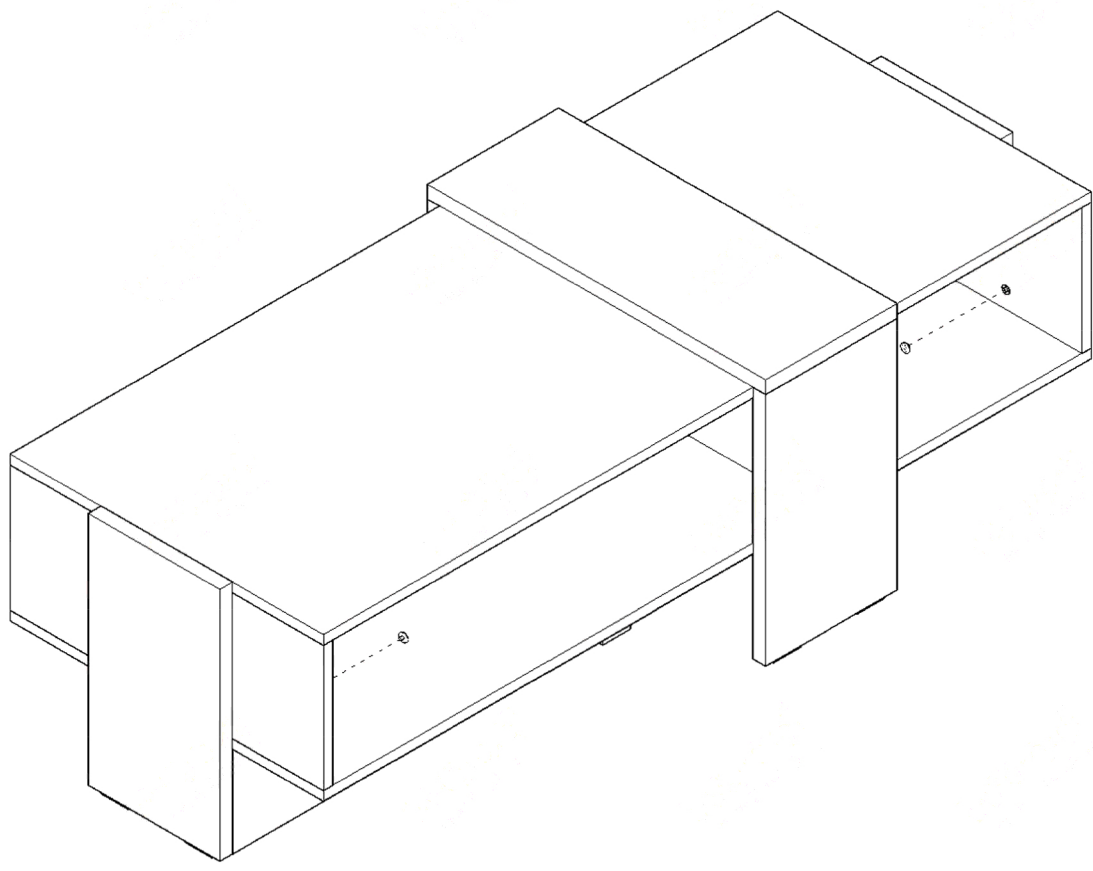


PTx10









PLASTIC COVER CAPS

