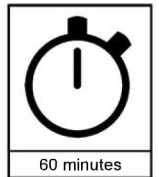
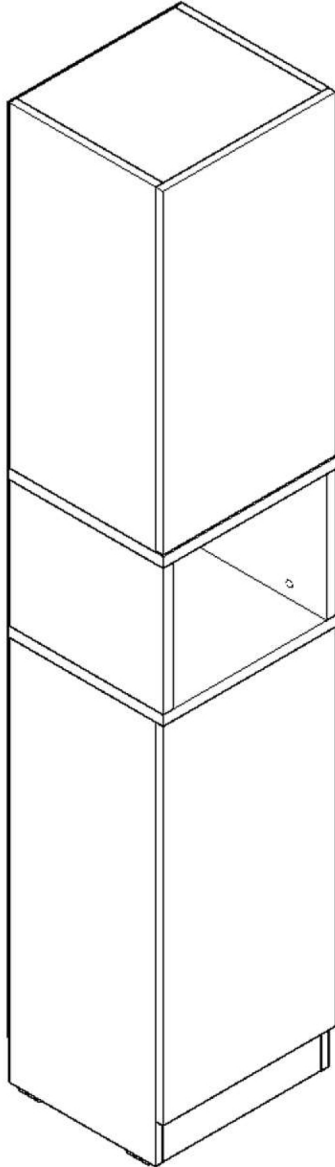


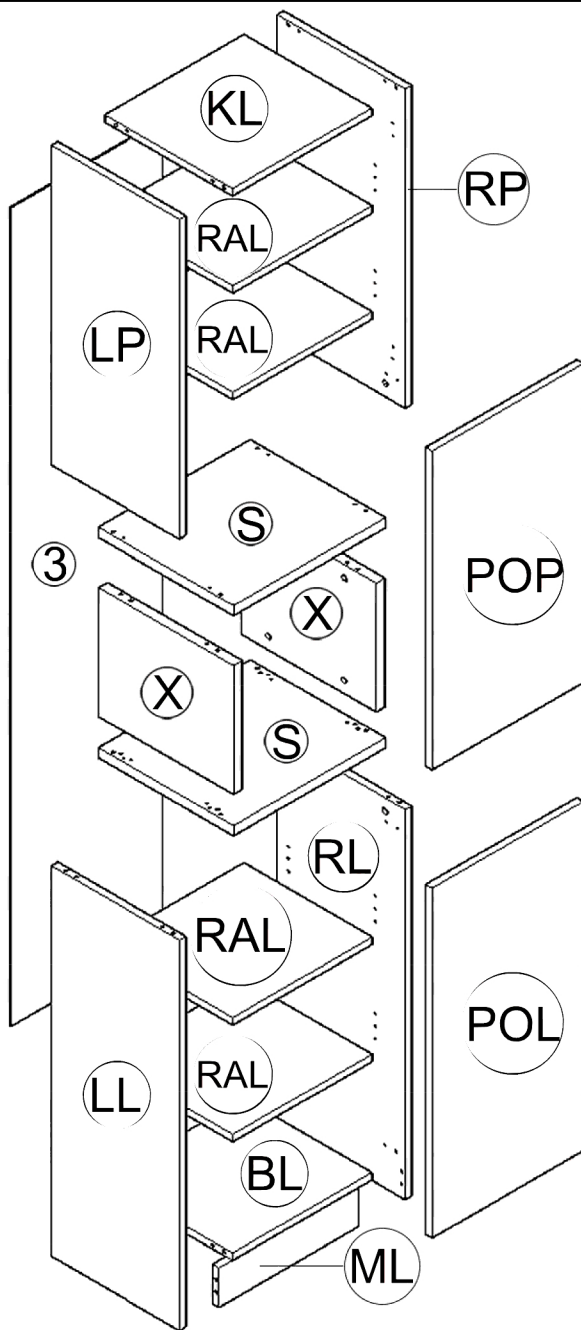
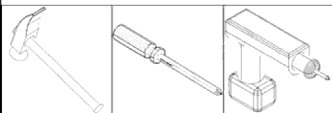
ADK 202 B

C

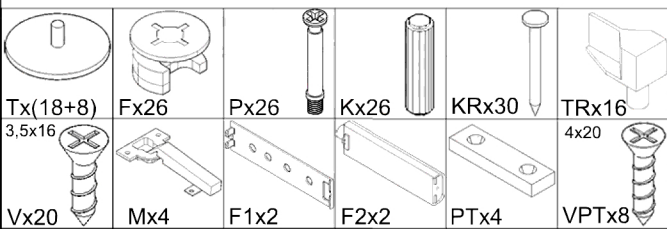
D

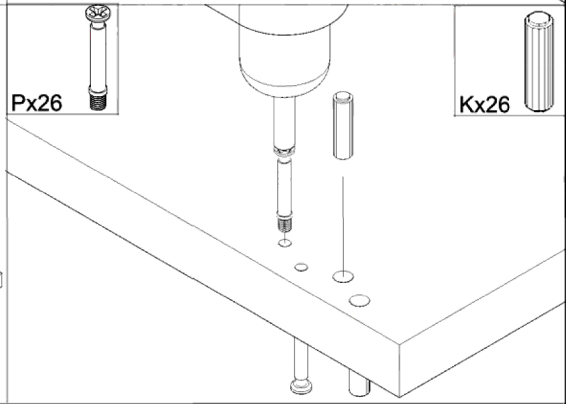
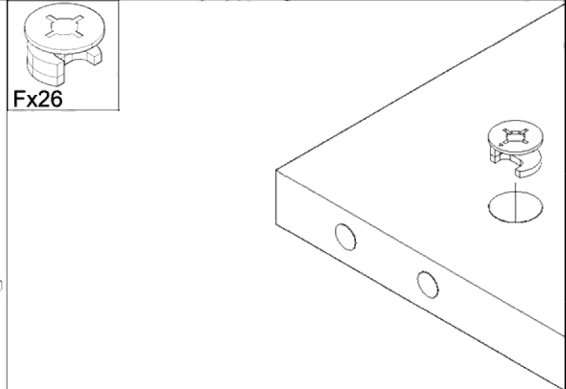
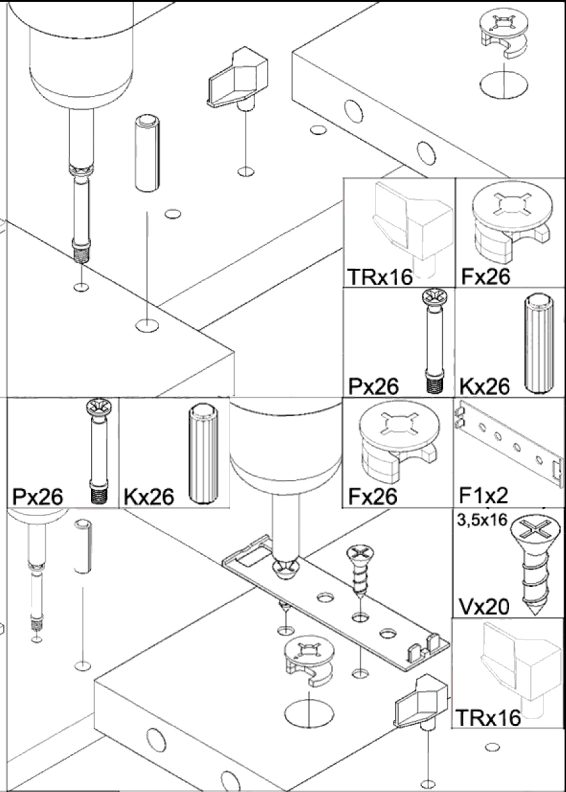
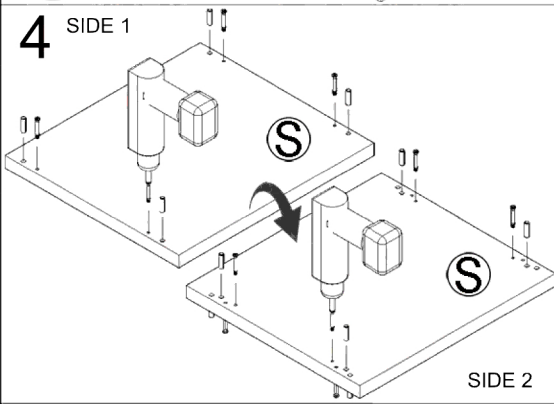
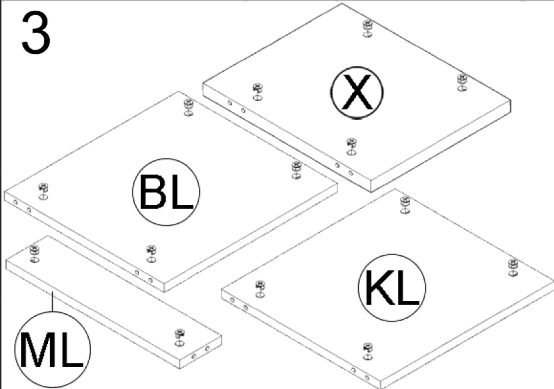
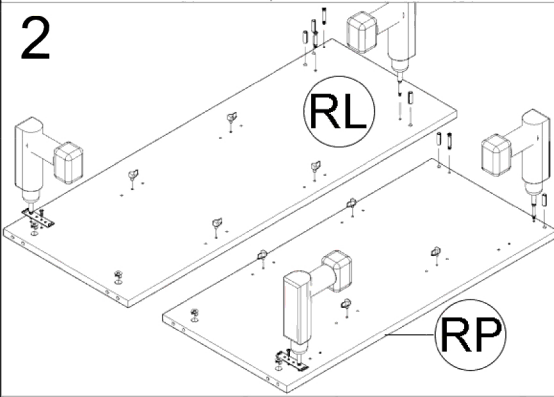
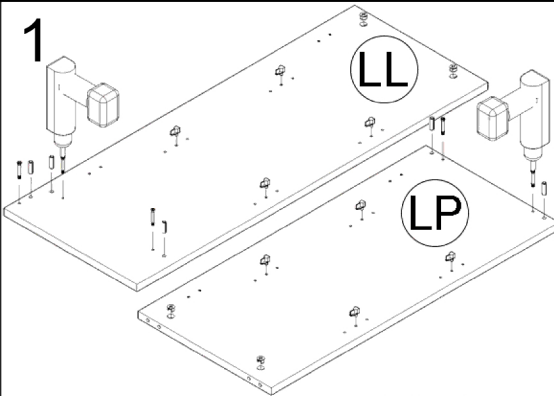


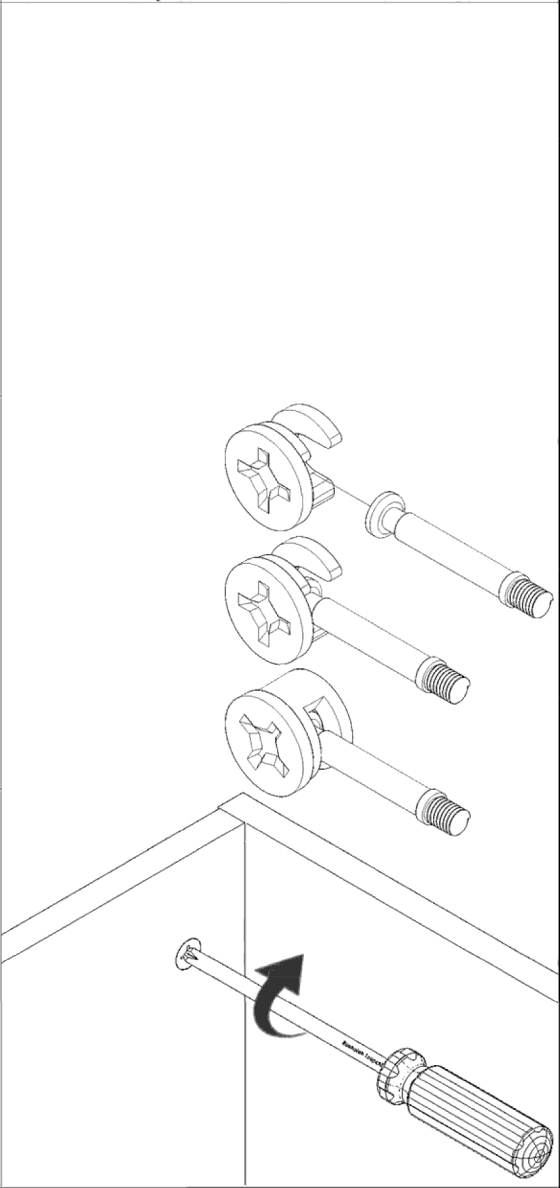
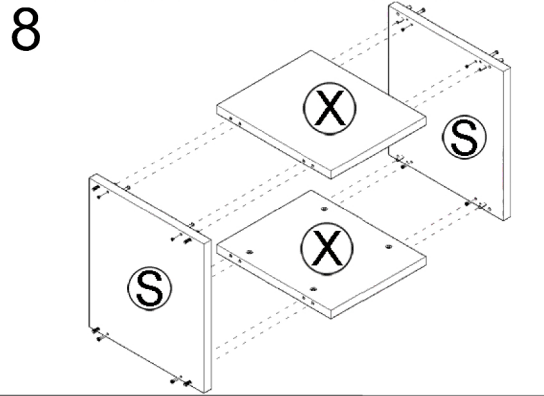
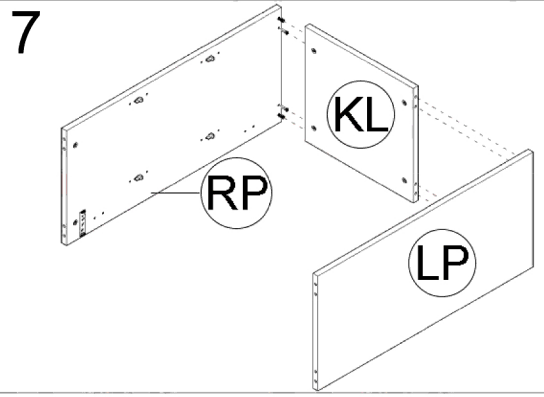
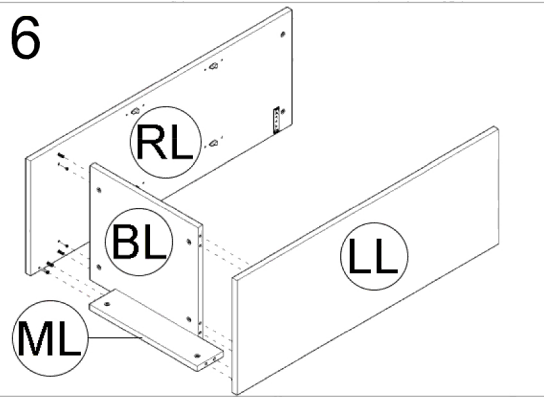
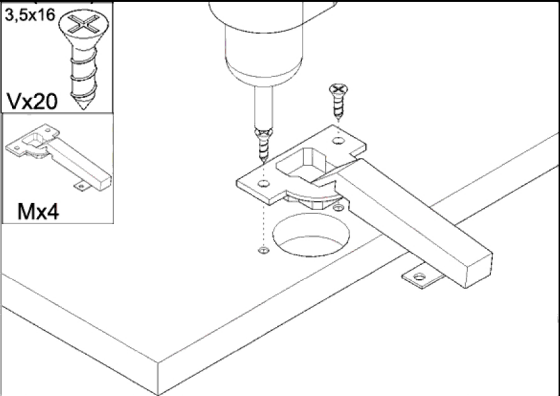
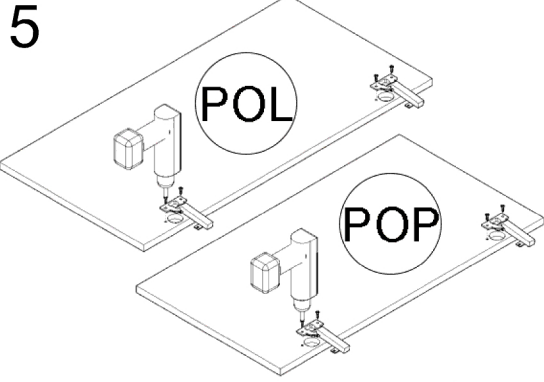
USING TOOLS



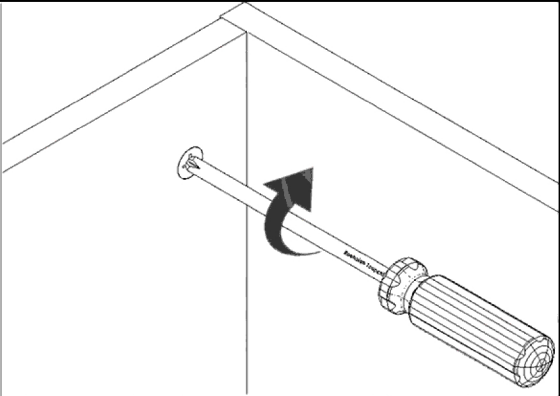
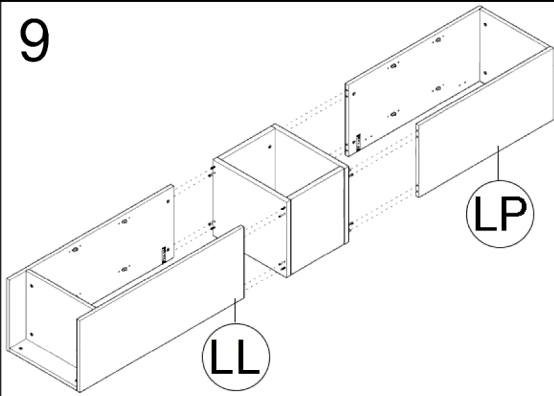
USING HARDWARE







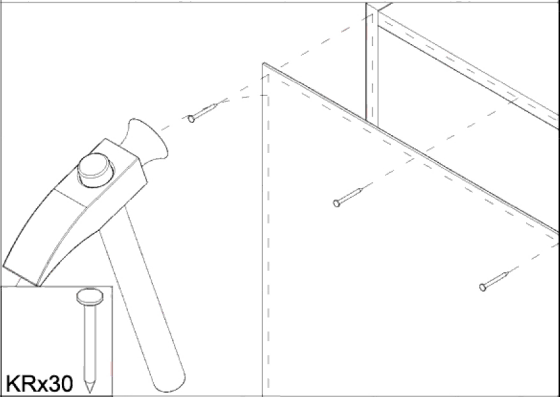
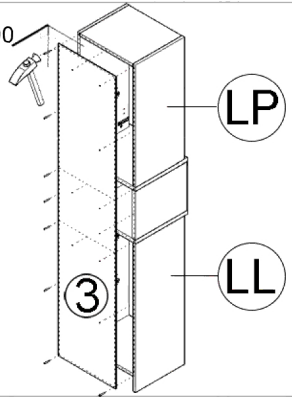
9



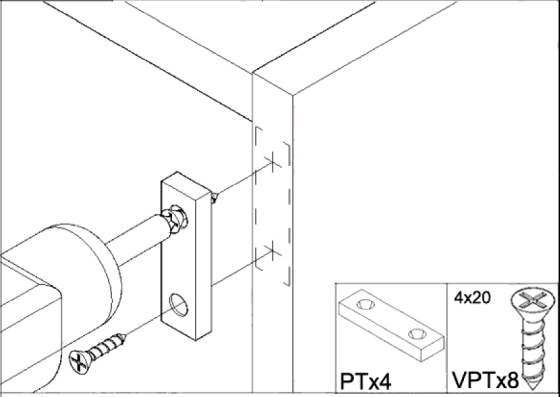
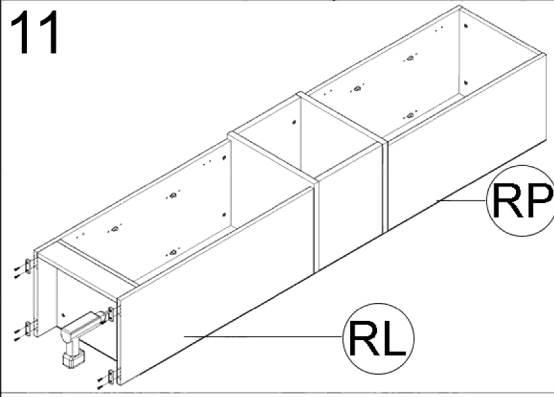
10



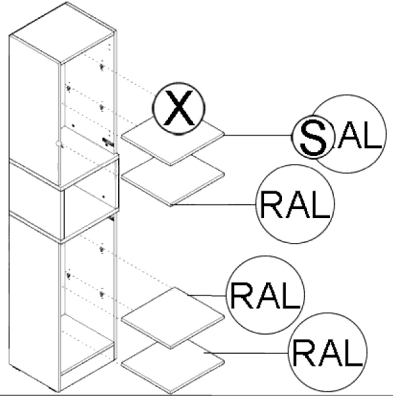
90



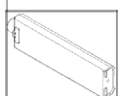
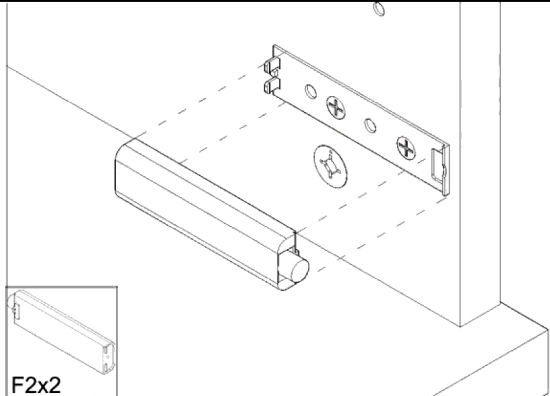
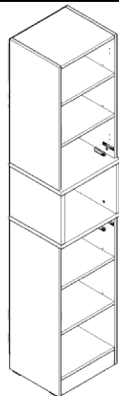
11



12



13



F2x2

3,5x16

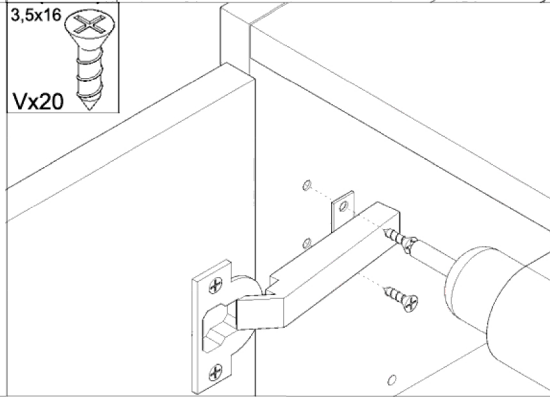
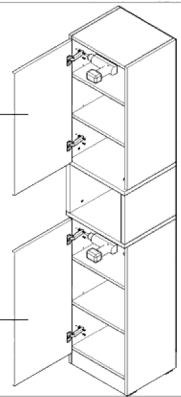


Vx20

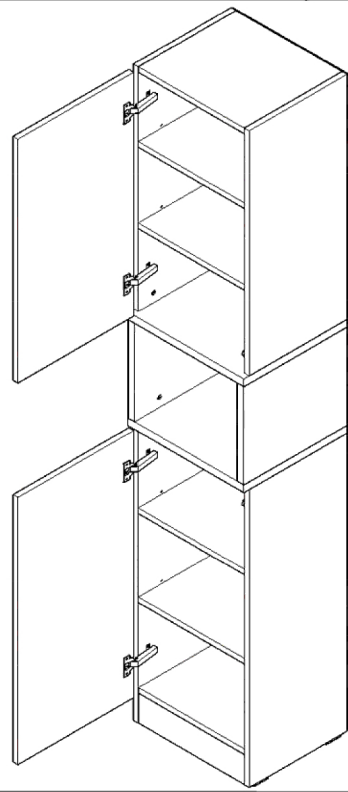
14

POP

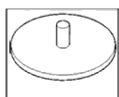
POL



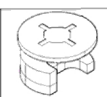
15



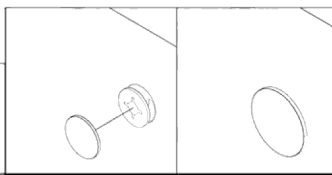
PLASTIC COVER CAPS



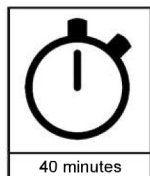
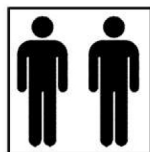
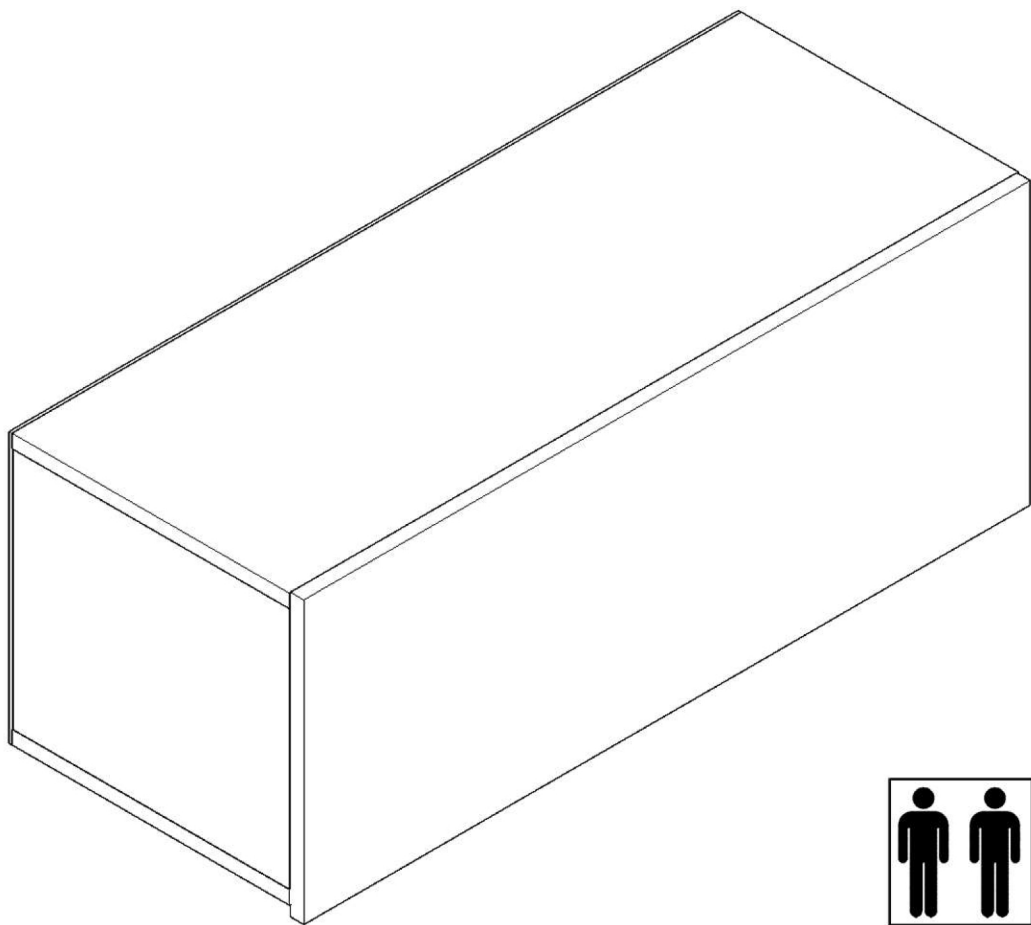
Tx(18+8)



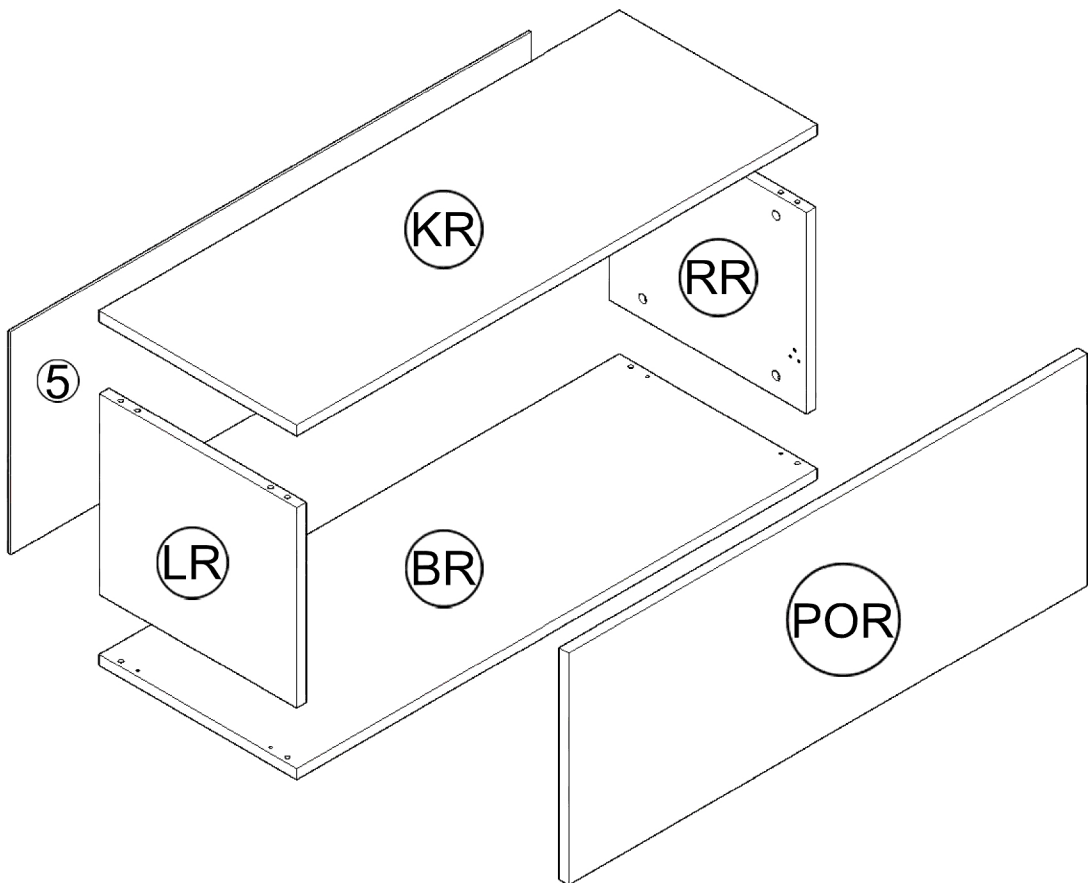
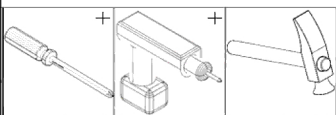
Fx26



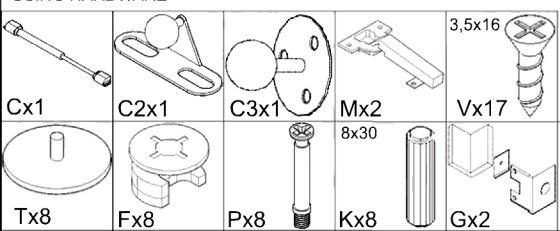
ADK 202 E

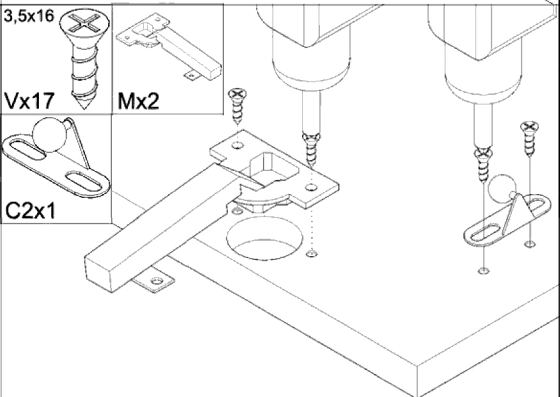
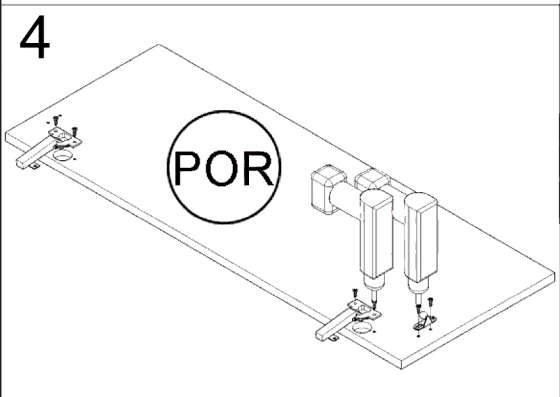
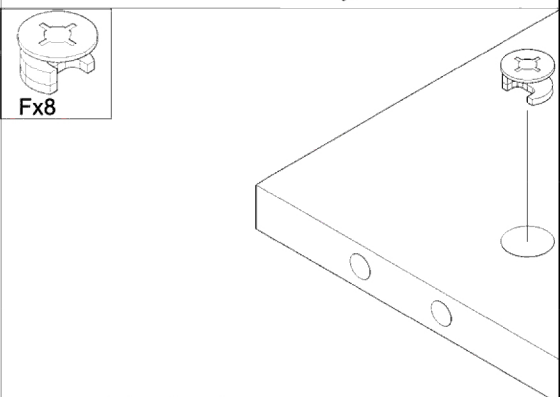
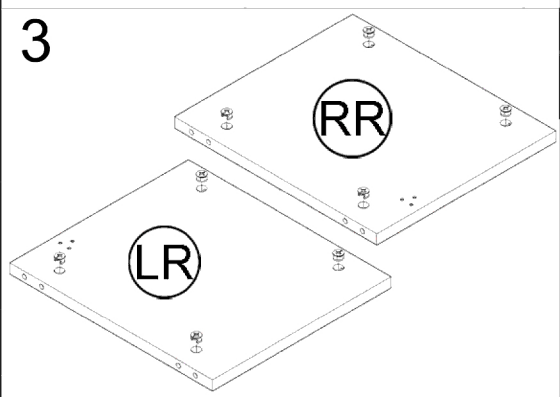
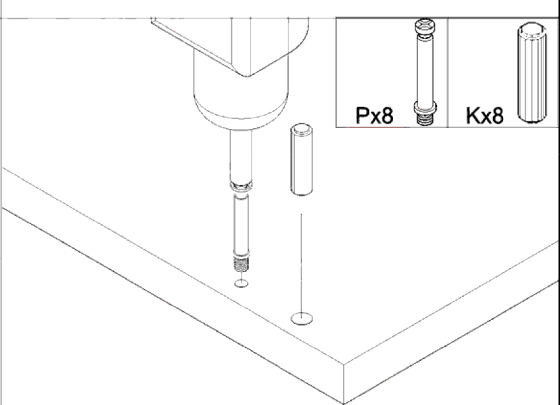
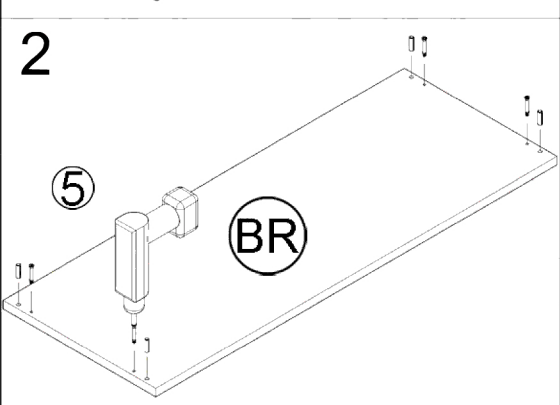
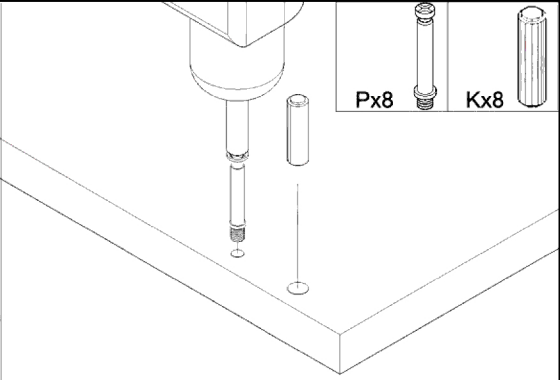
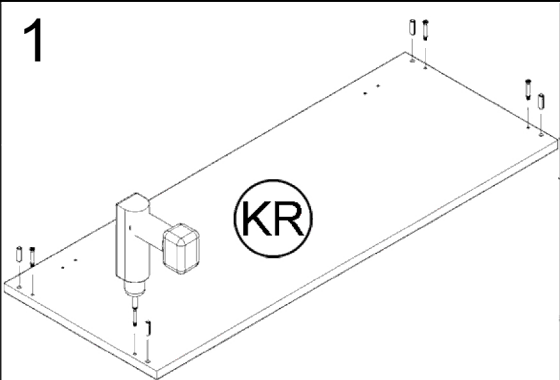


USING TOOLS

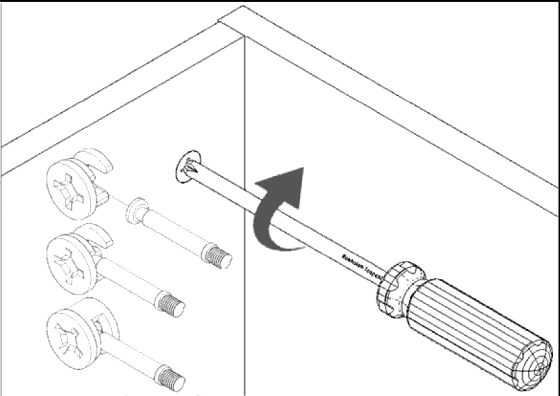
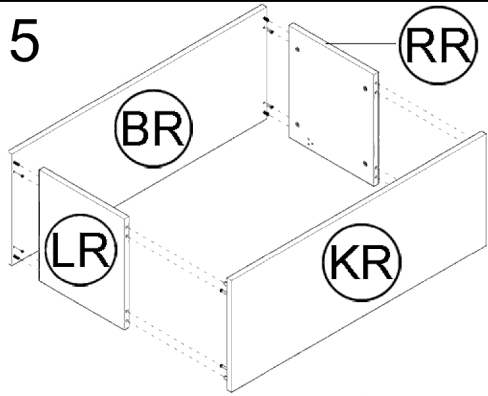


USING HARDWARE

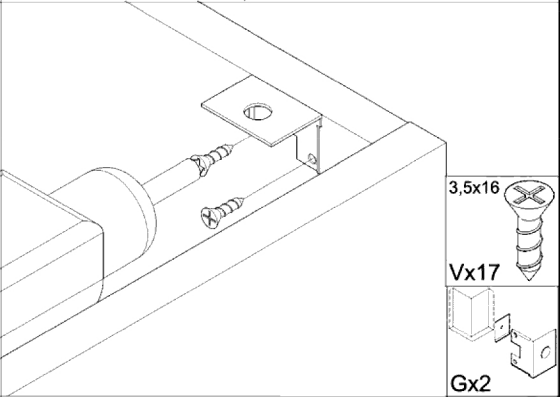
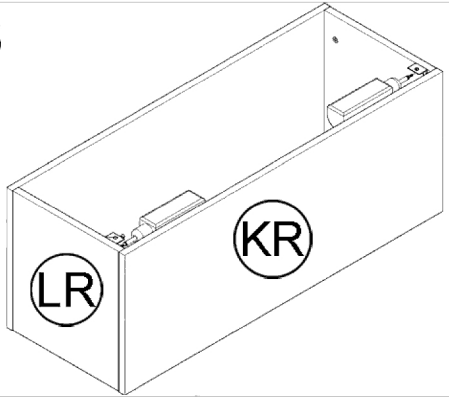




5

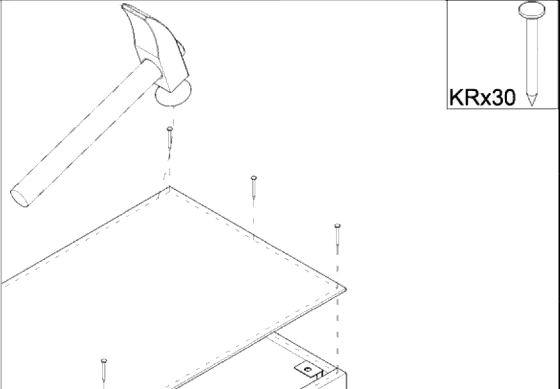
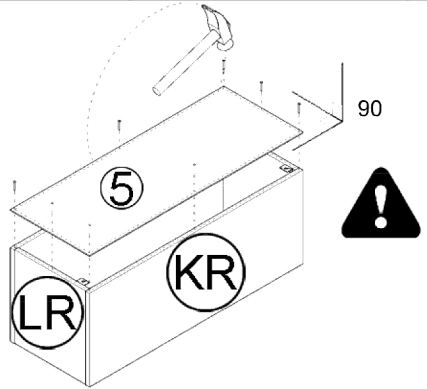


6

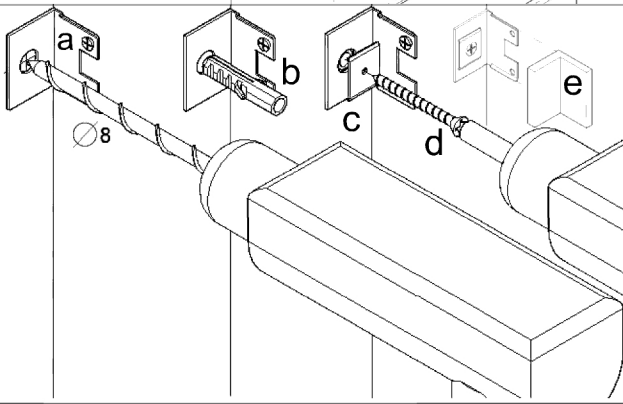
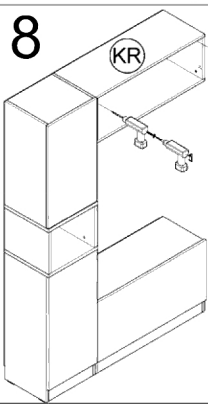


- 3,5x16
- Vx17
- Gx2
- KRx30

7

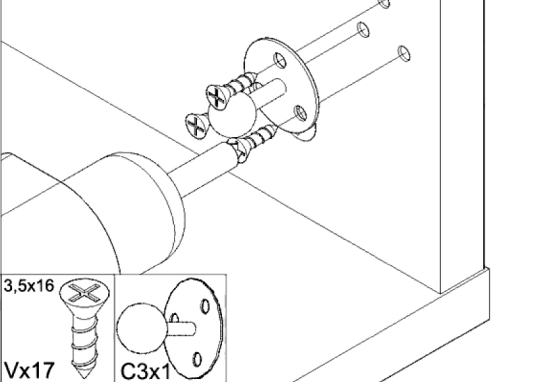
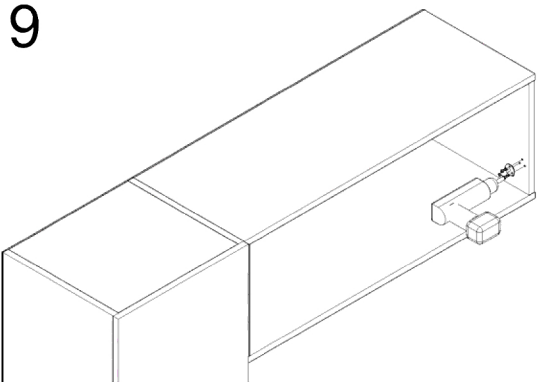


8

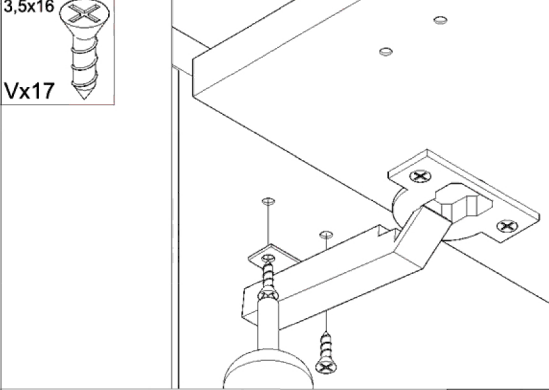
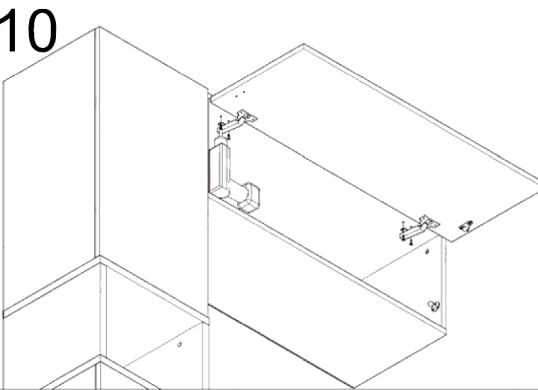


- Gx2

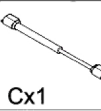
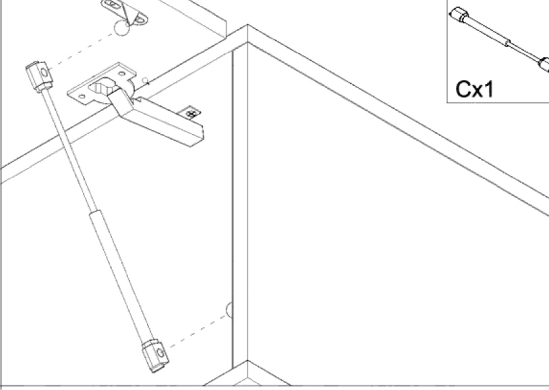
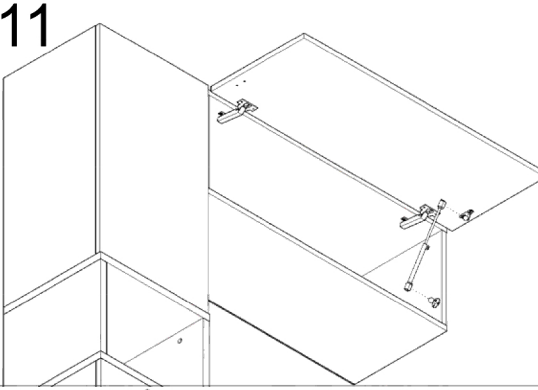
9



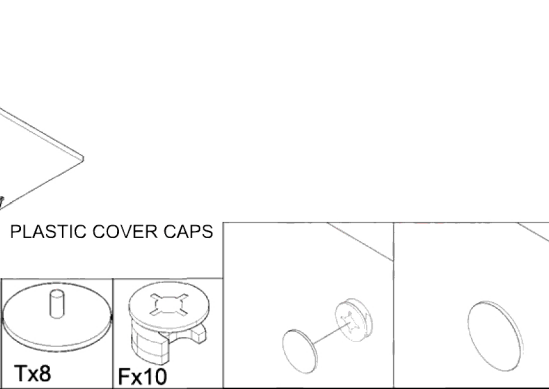
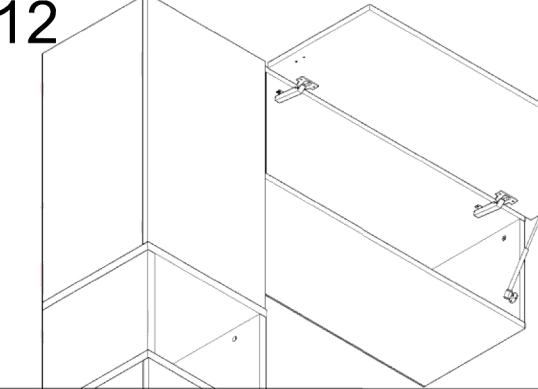
10



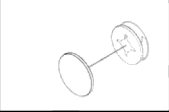
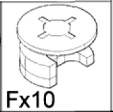
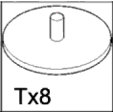
11



12



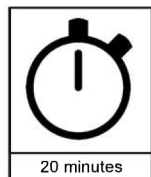
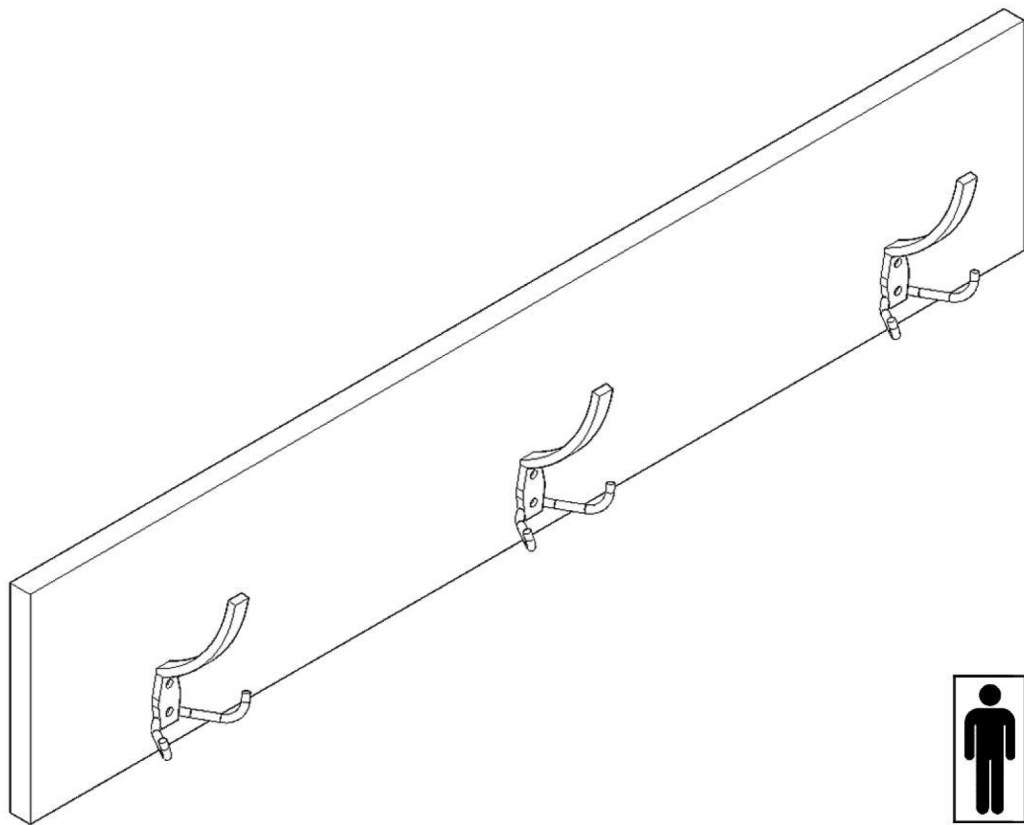
PLASTIC COVER CAPS



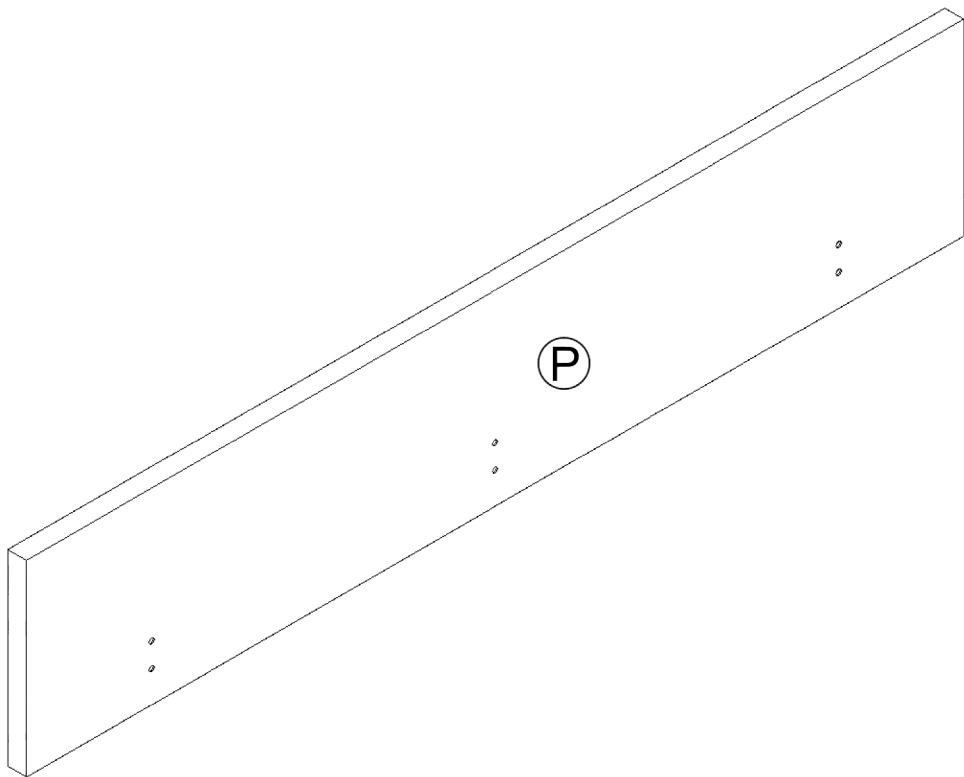
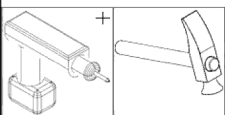
Tx8

Fx10

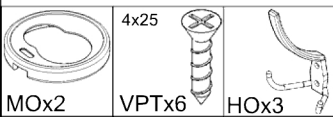
ADK 202 F



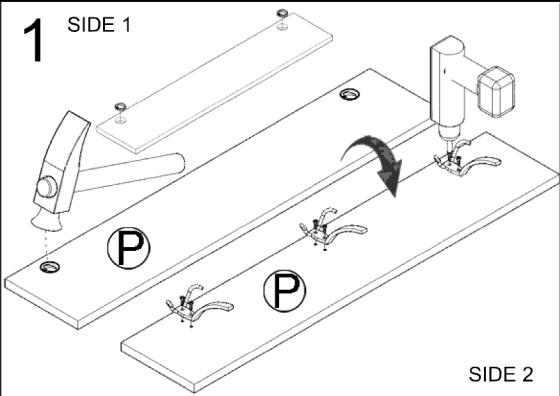
USING TOOLS



USING HARDWARE



1 SIDE 1



SIDE 2

