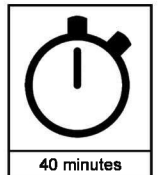
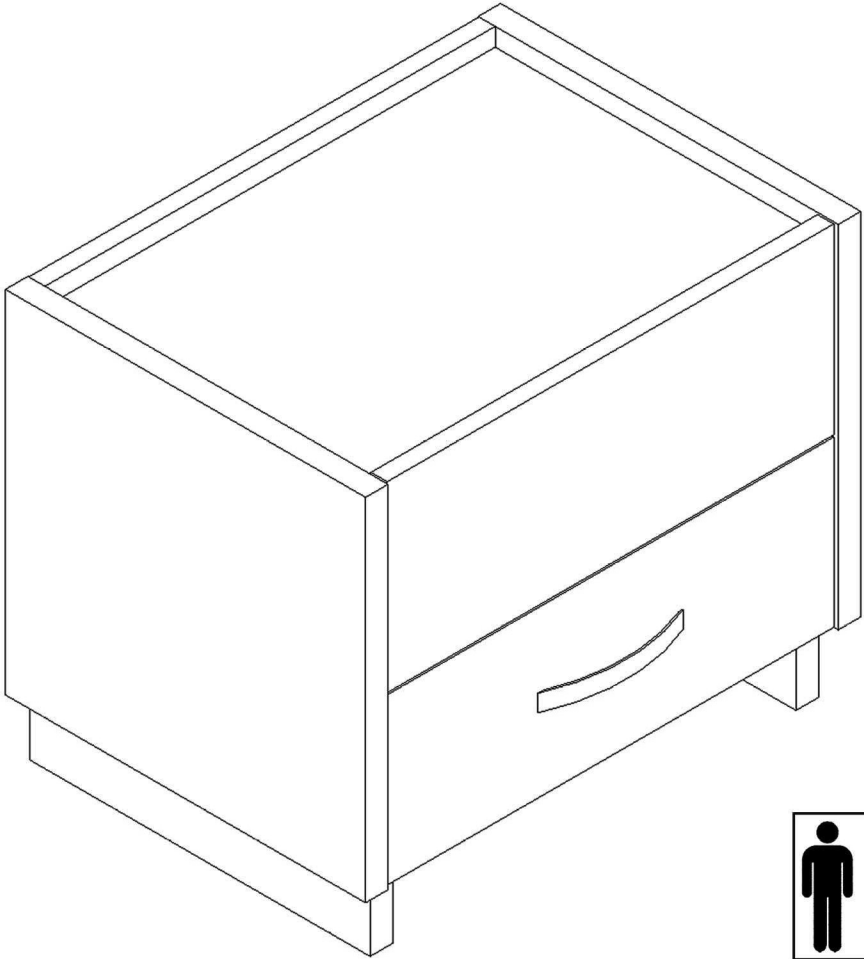
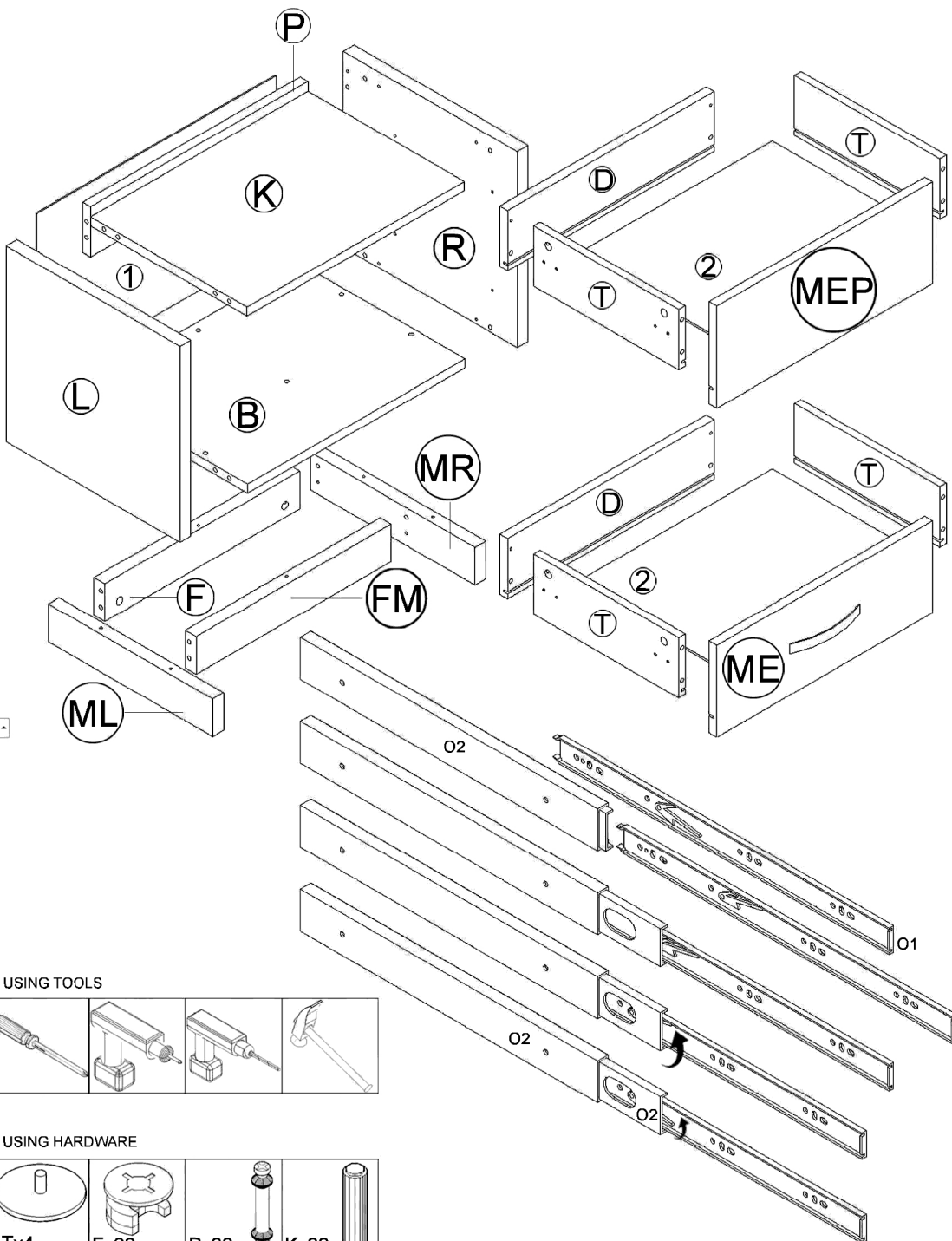


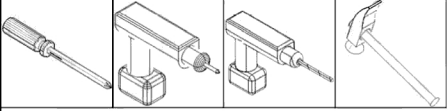
ADK 398



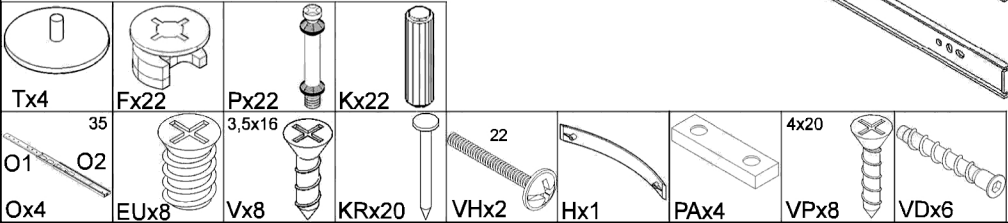
40 minutes

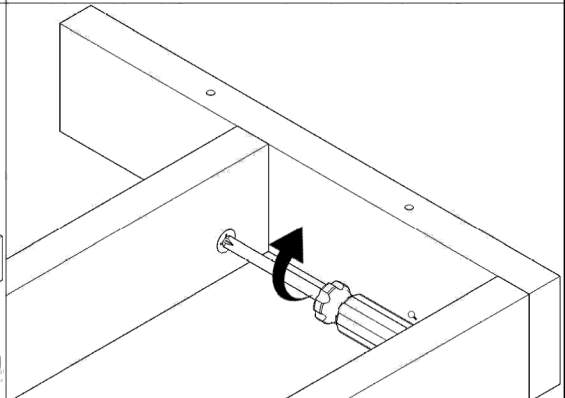
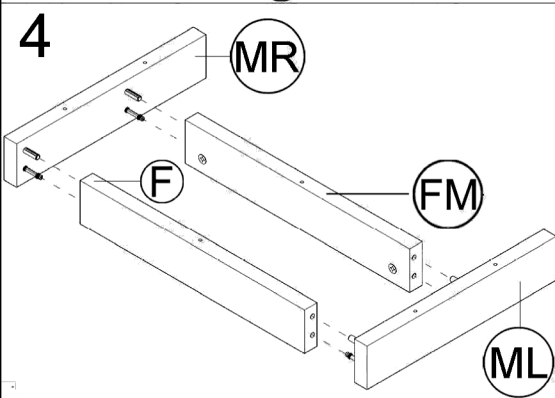
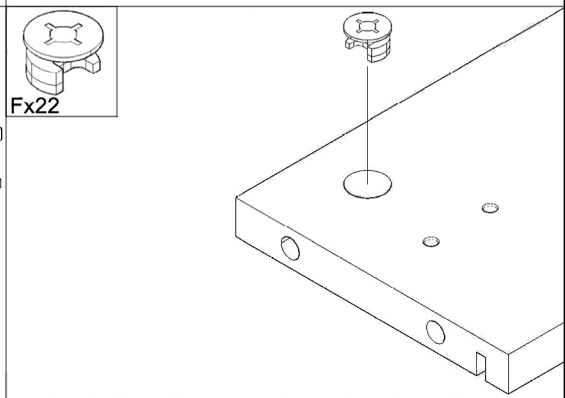
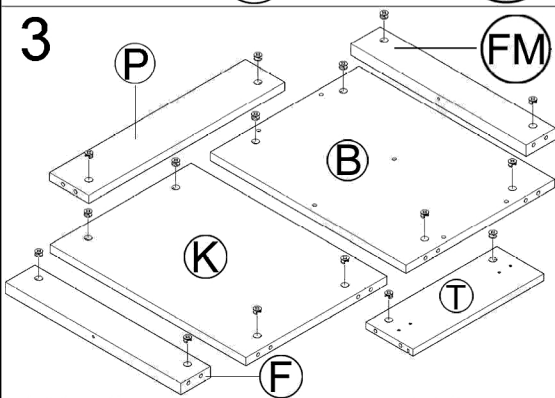
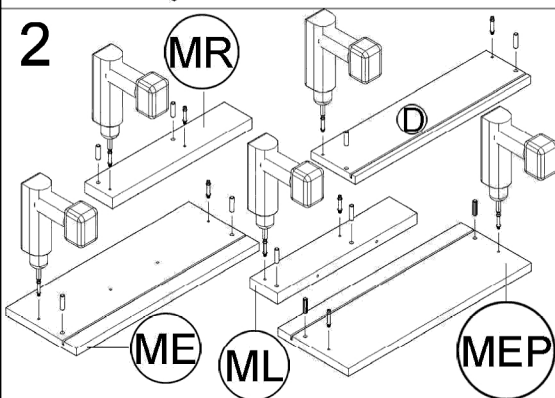
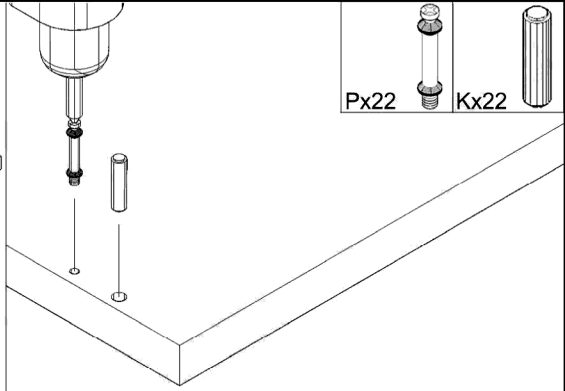
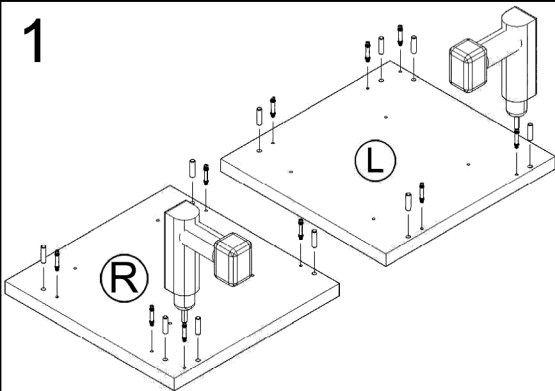


USING TOOLS

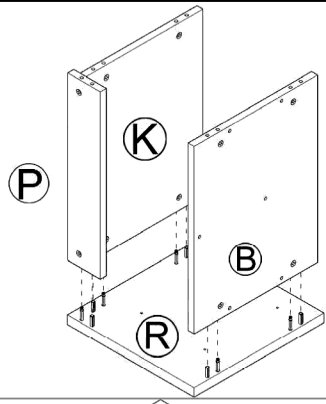


USING HARDWARE

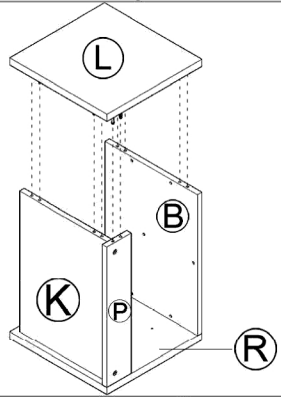




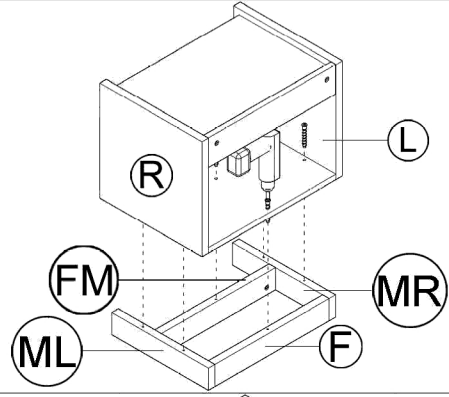
5



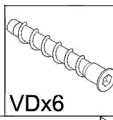
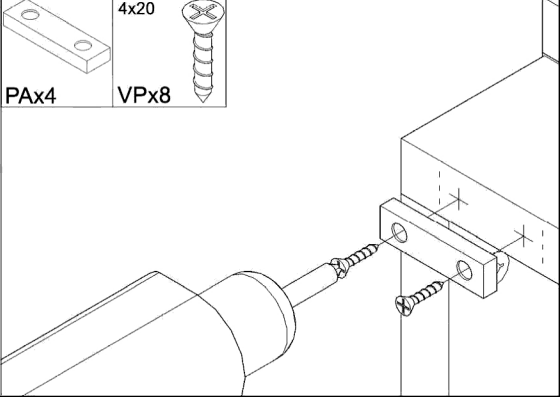
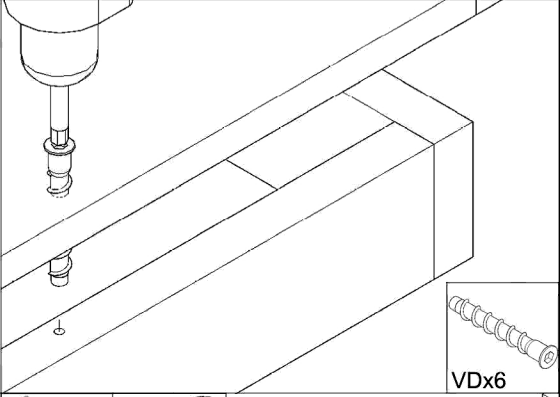
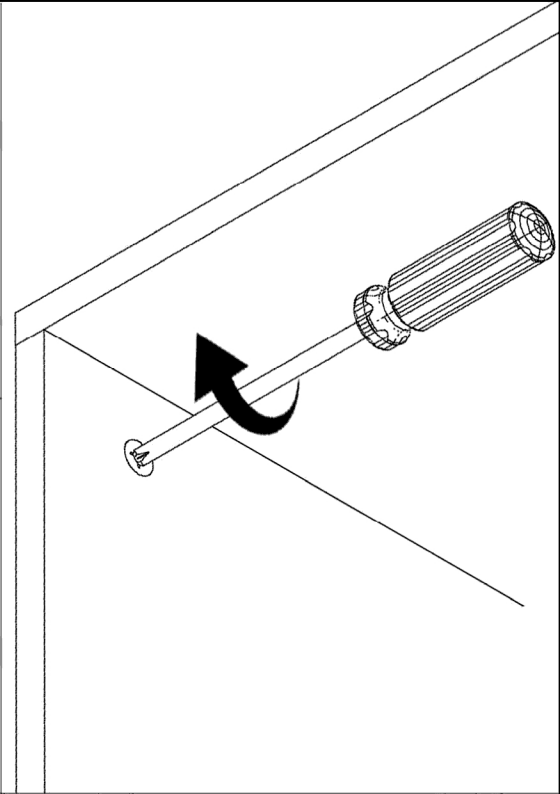
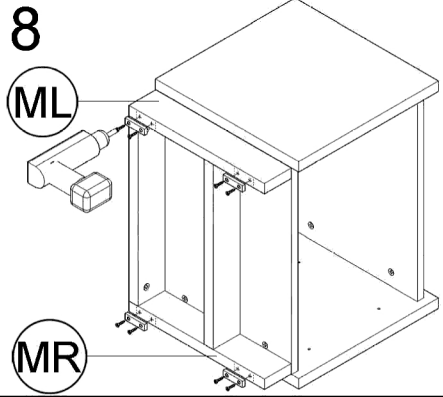
6



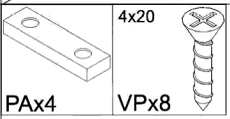
7



8



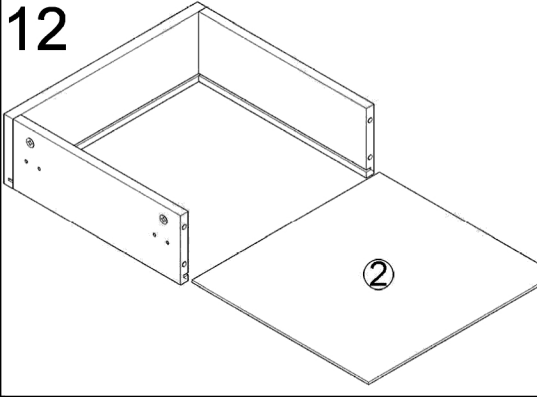
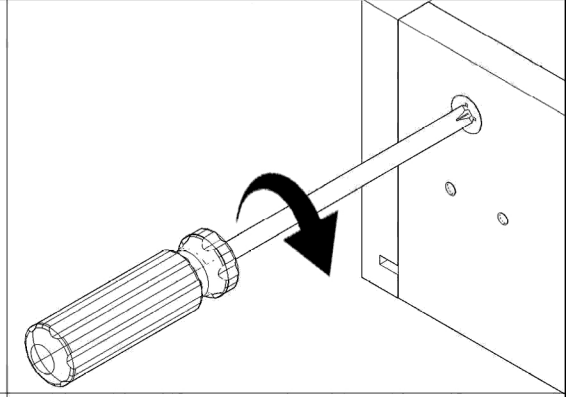
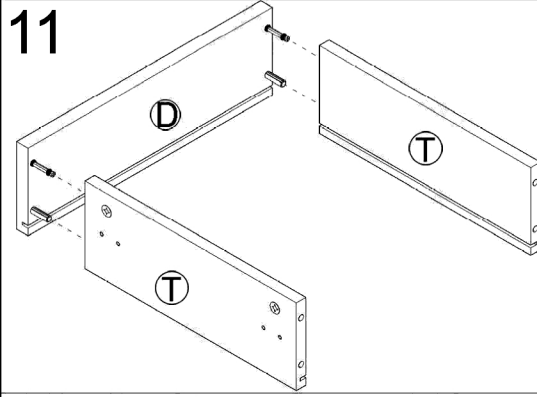
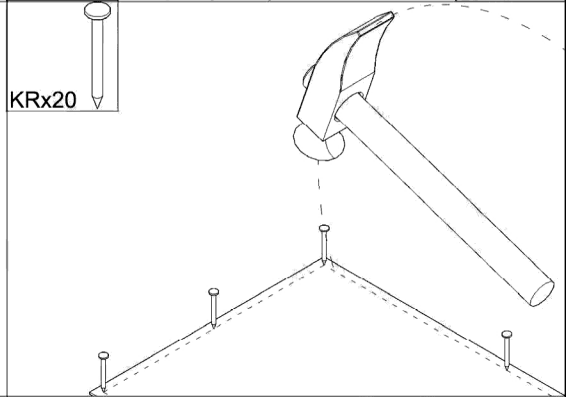
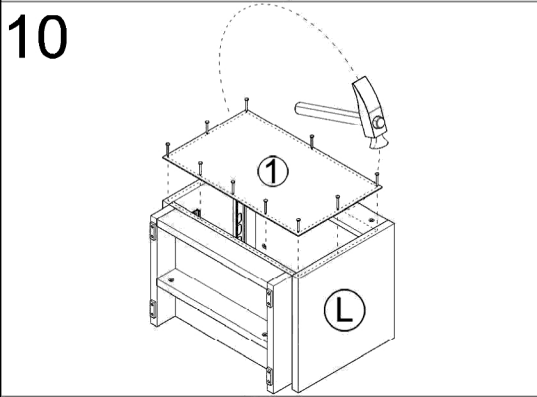
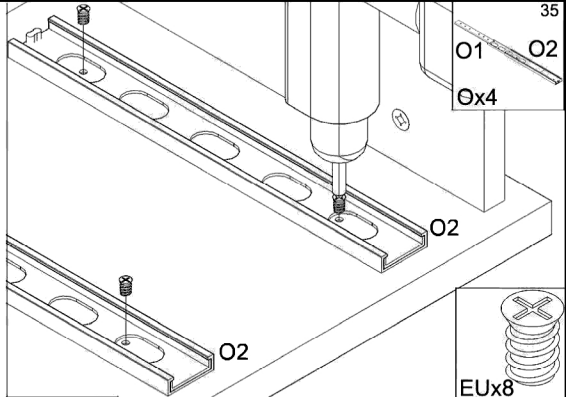
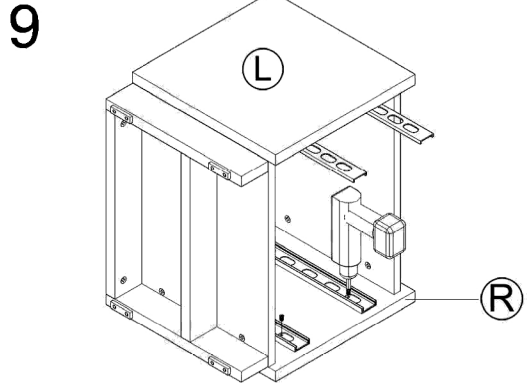
VDx6



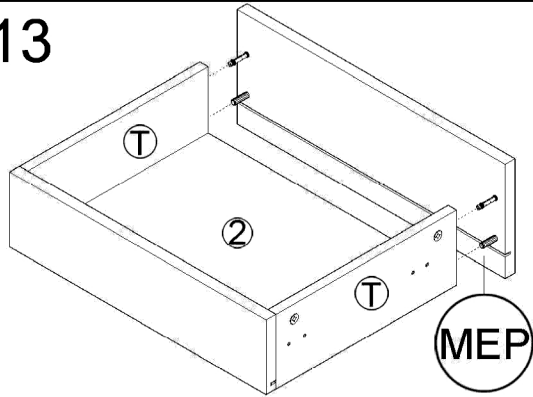
PAx4

4x20

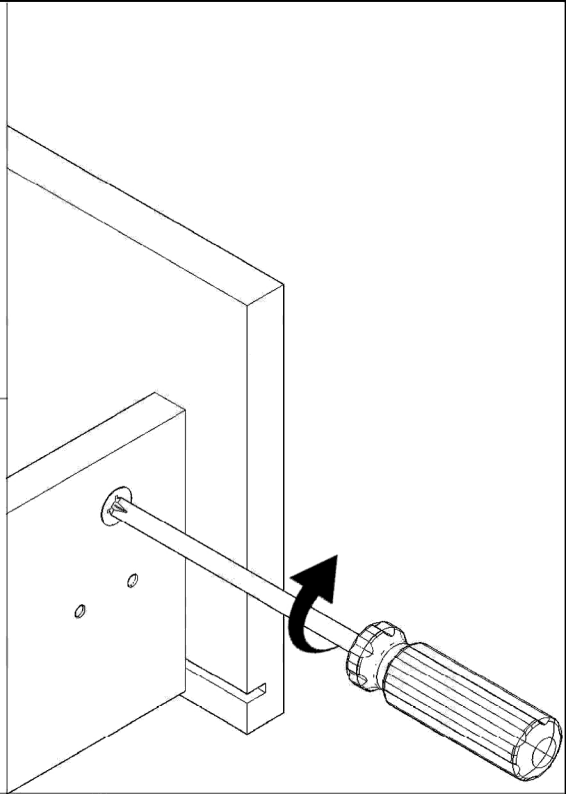
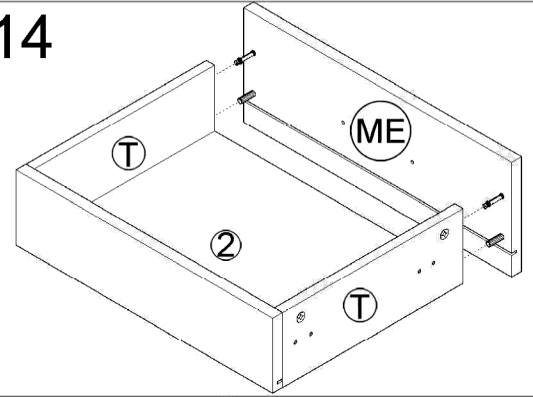
VPx8



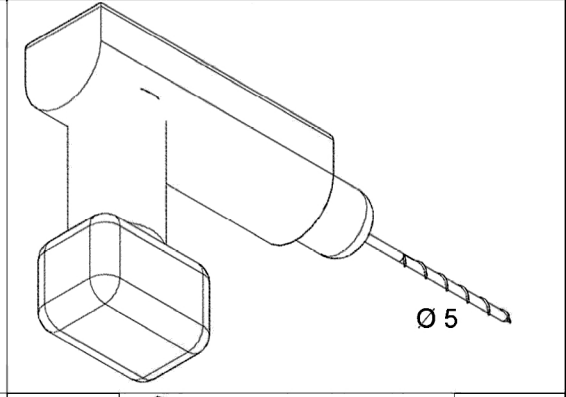
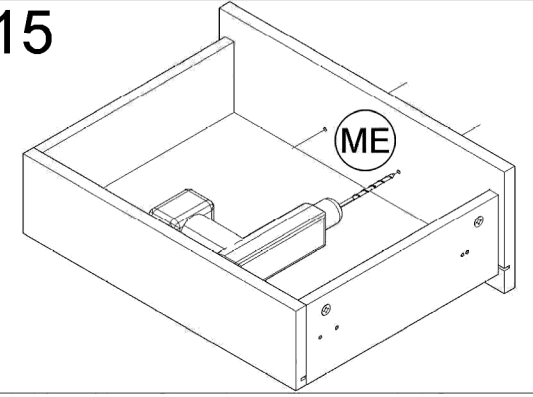
13



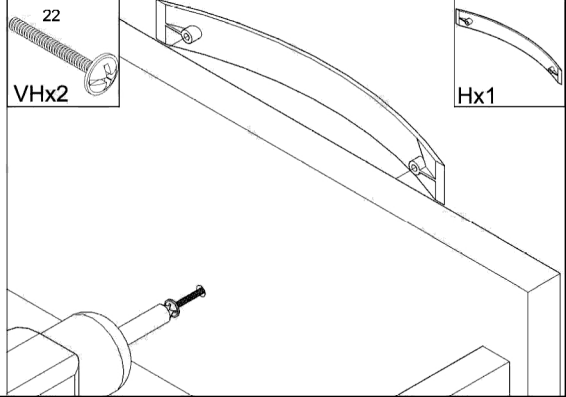
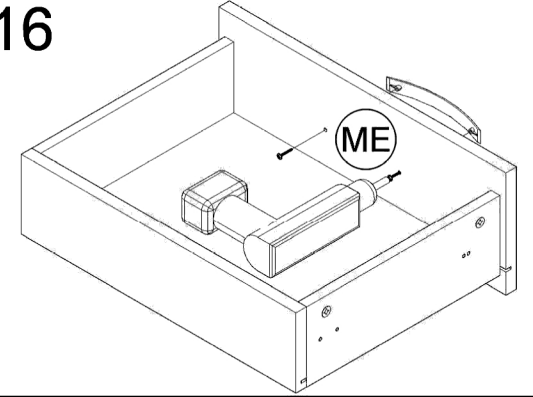
14



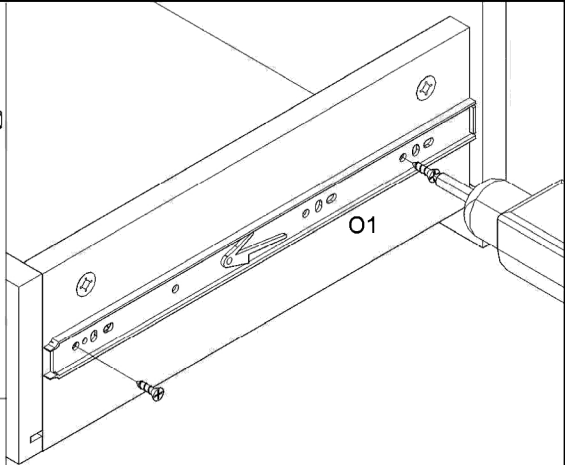
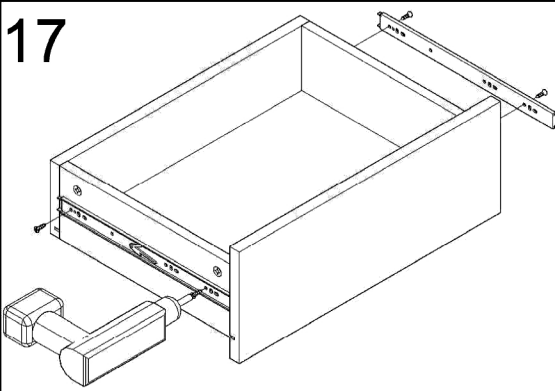
15



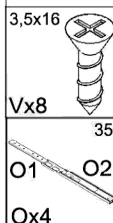
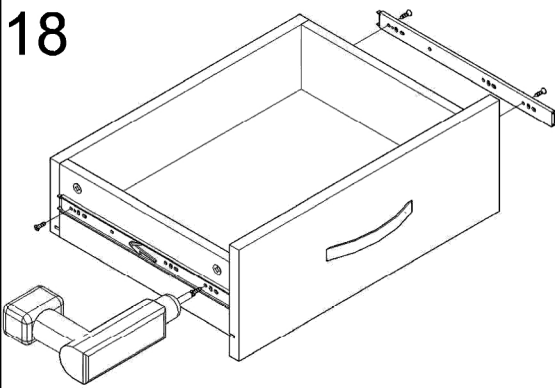
16



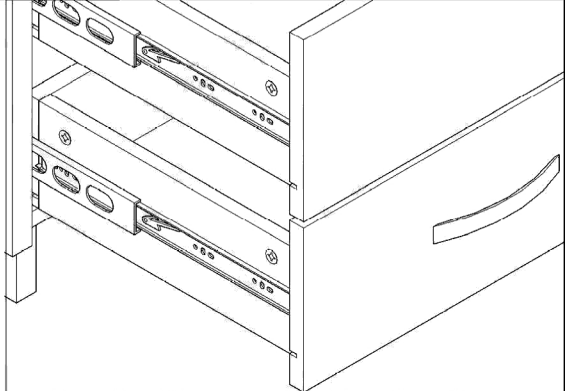
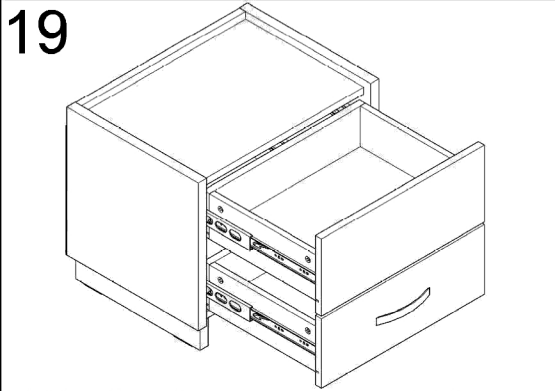
17



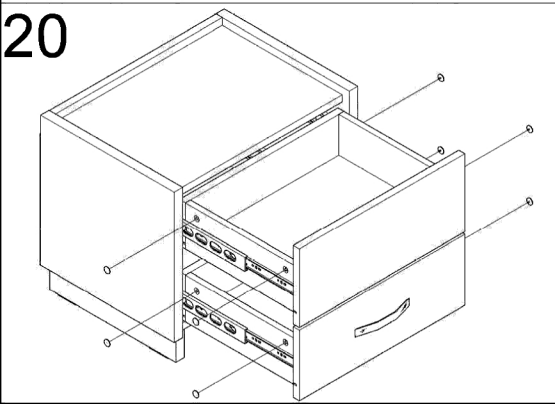
18



19



20



PLASTIC COVER CAPS

