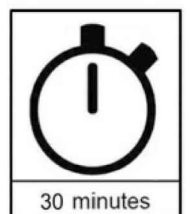
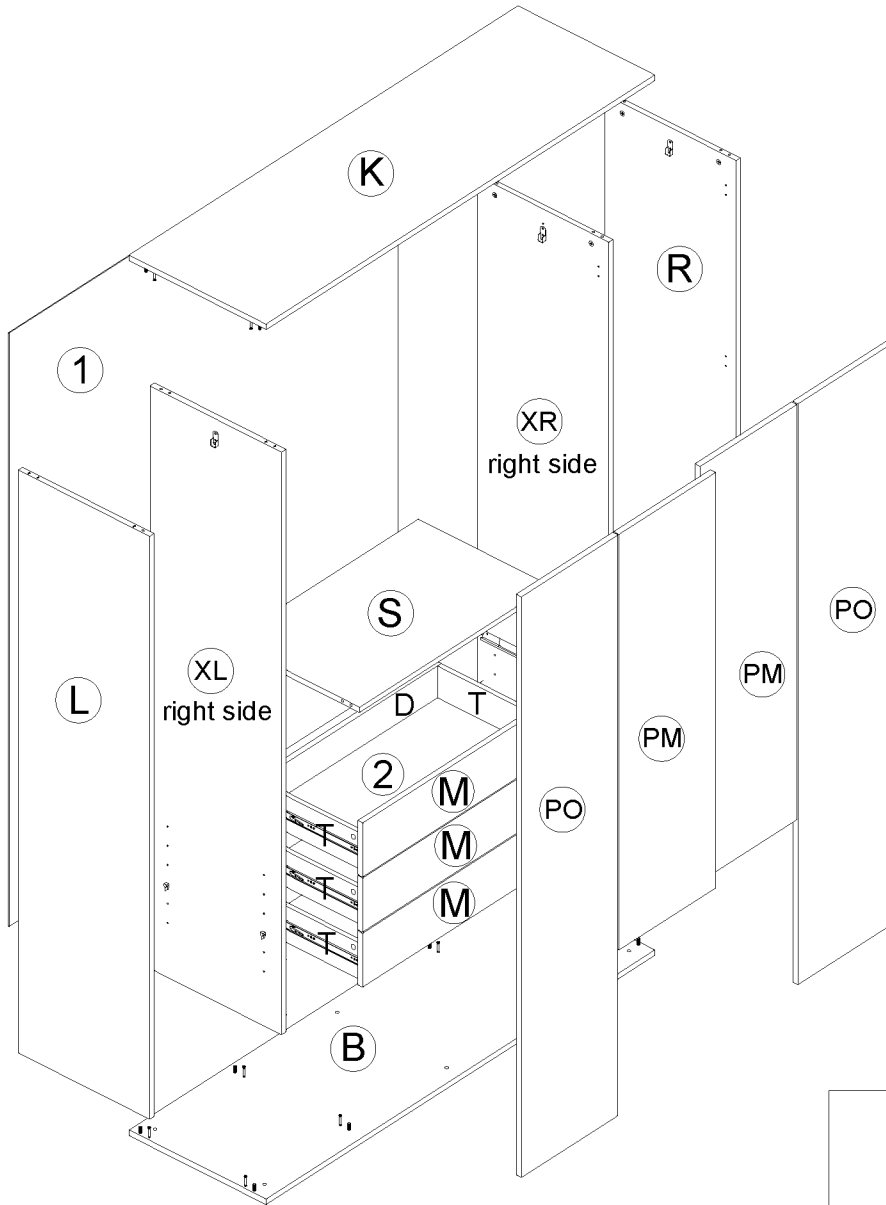
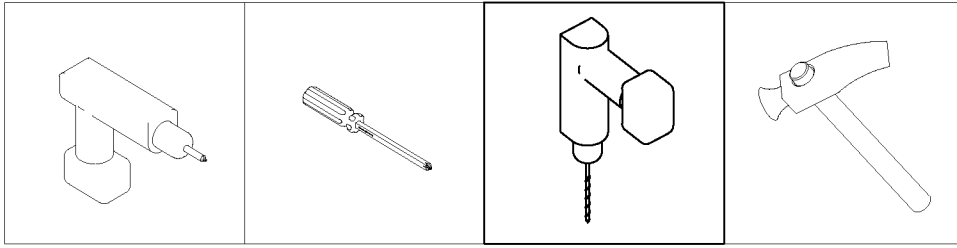

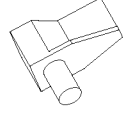
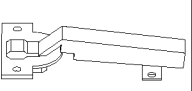
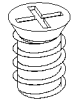

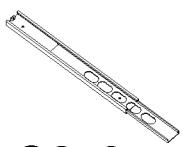
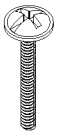
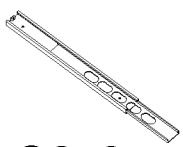
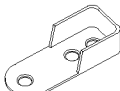

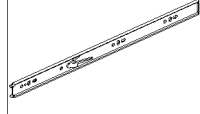

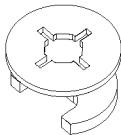
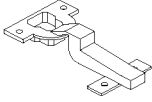
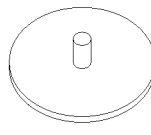
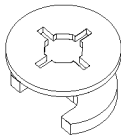




ADK 713

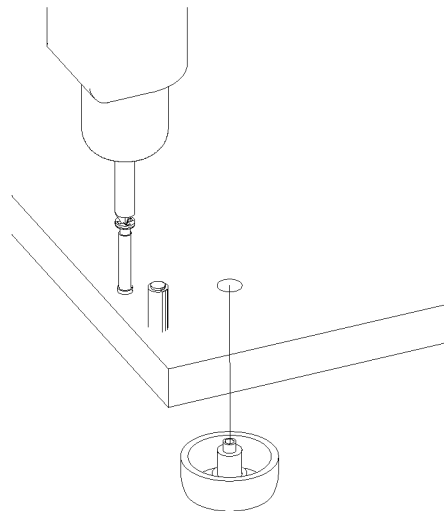
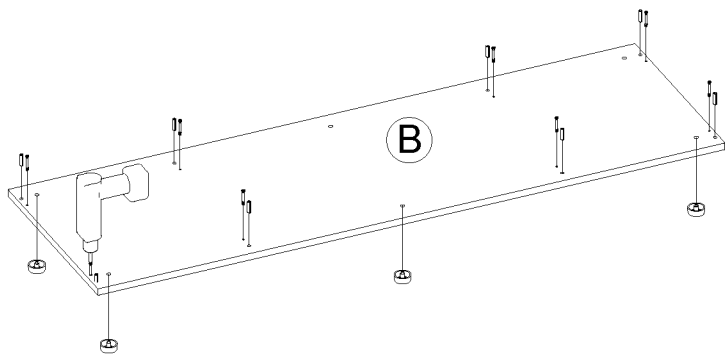


USING TOOLS



	
PRx40	TAx8
	
Mx8	EUx12
	
Hx7	O1x6
	
XV x 14	O2x6
	
BSX6	3.5x16
	
O1x6	Vx72
	
Fx6	MGx4
	
TX32	
	
Fx32	
	
Kx32	
	
Px32	

1



Fx6

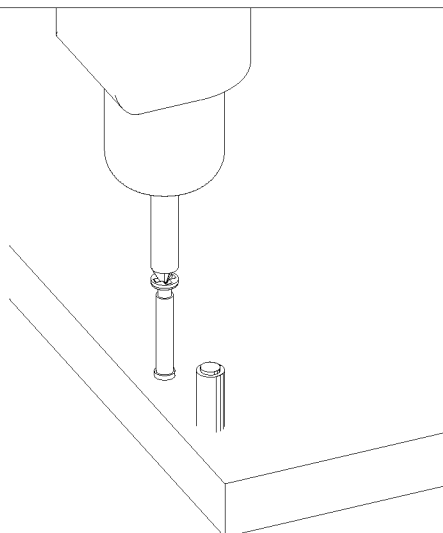
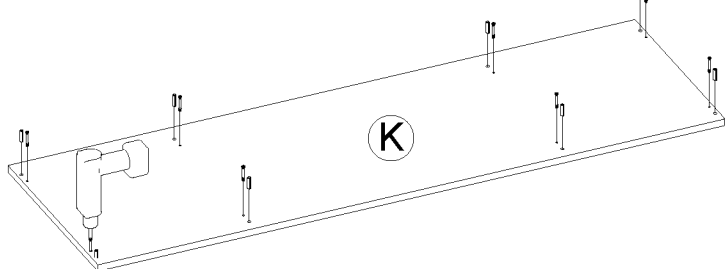


Px8



Kx8

2

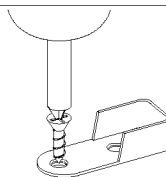
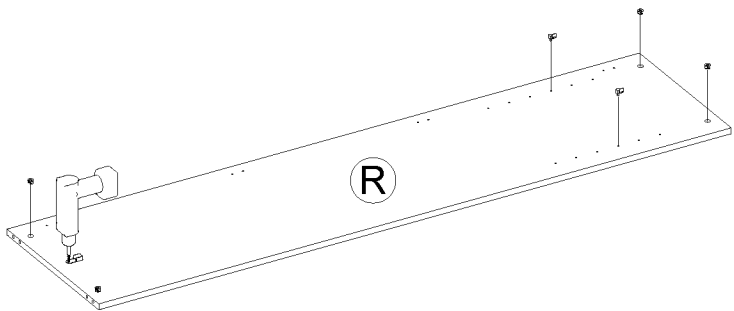


Px8

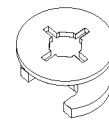


Kx8

3



TAx2

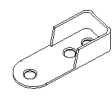


Fx4

3.5x16

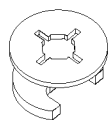
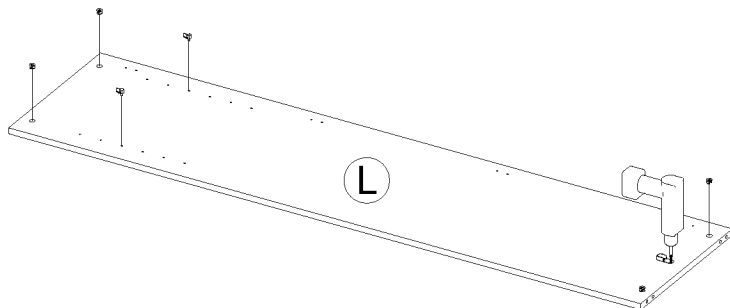


Vx2



BSX1

4



Fx4

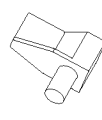
3.5x16



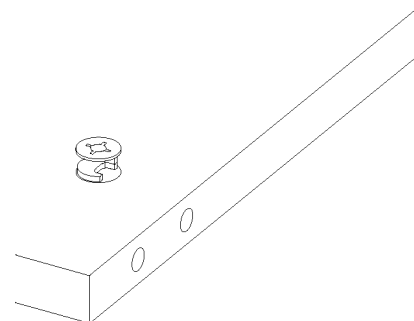
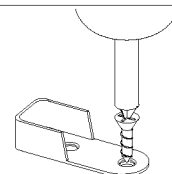
Vx2



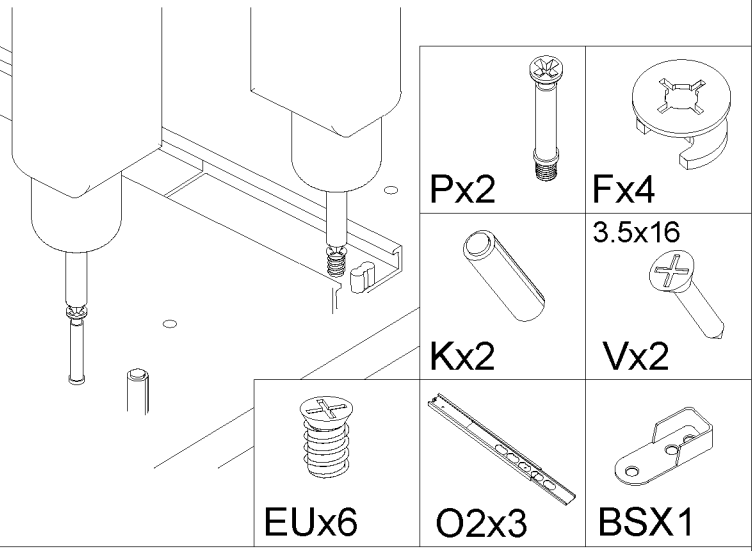
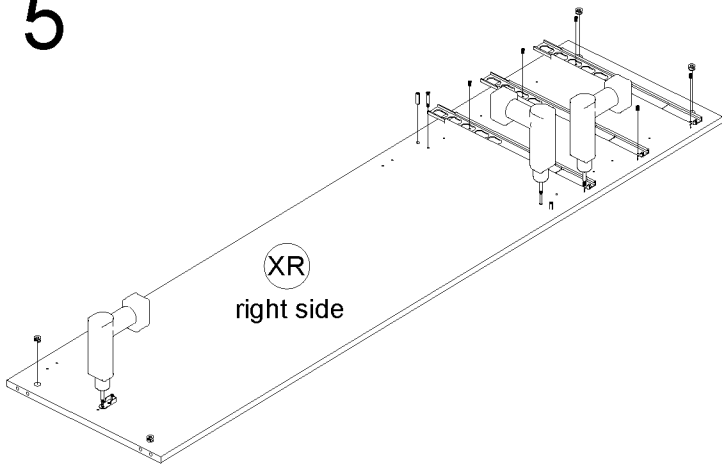
BSX1



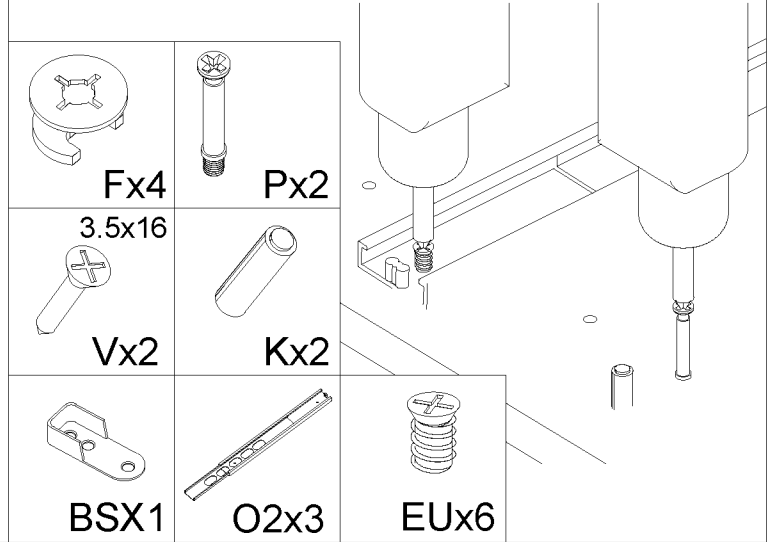
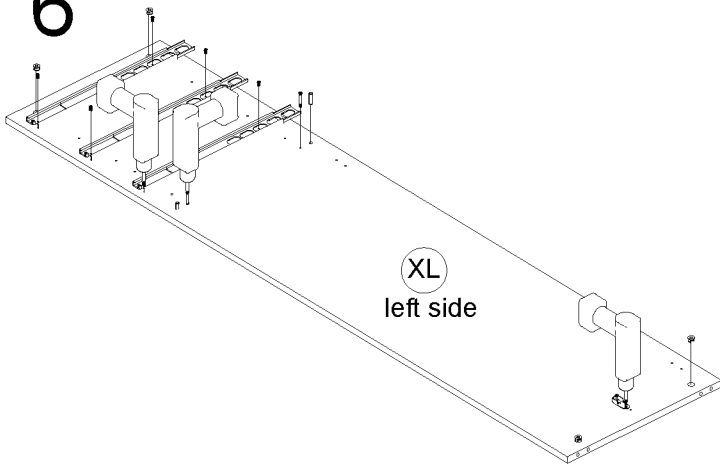
TAx2



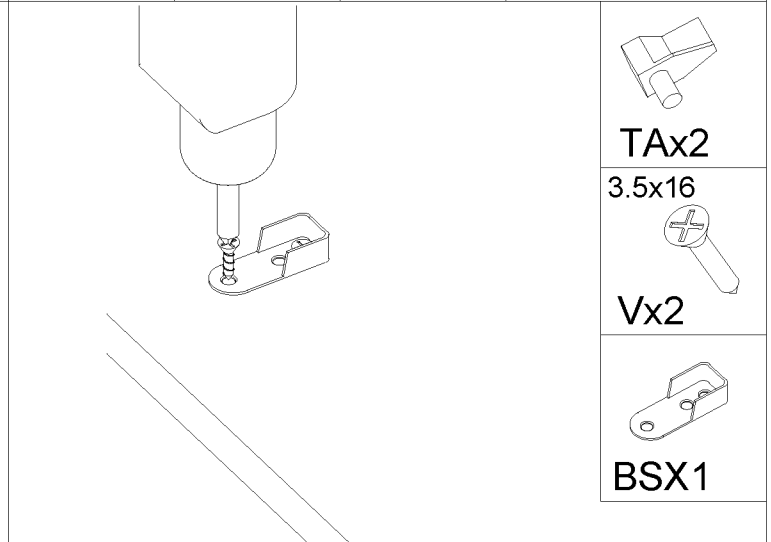
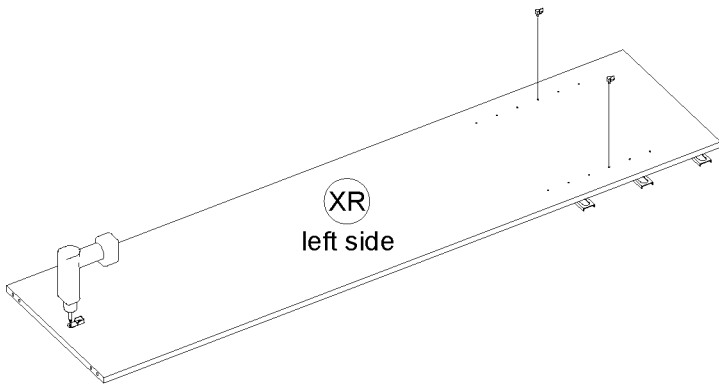
5



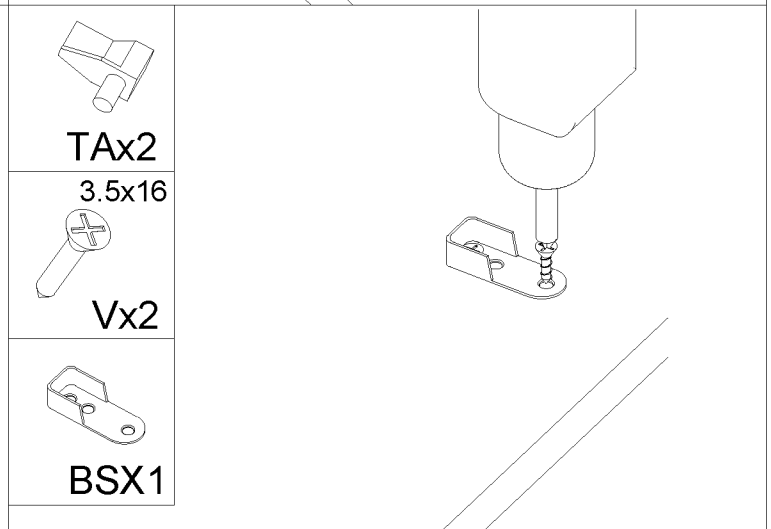
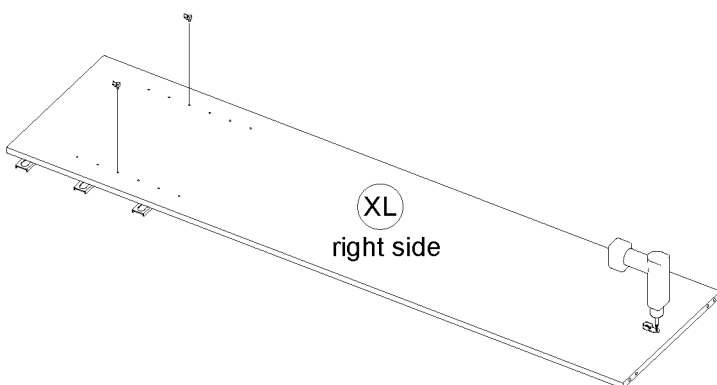
6



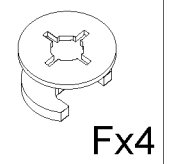
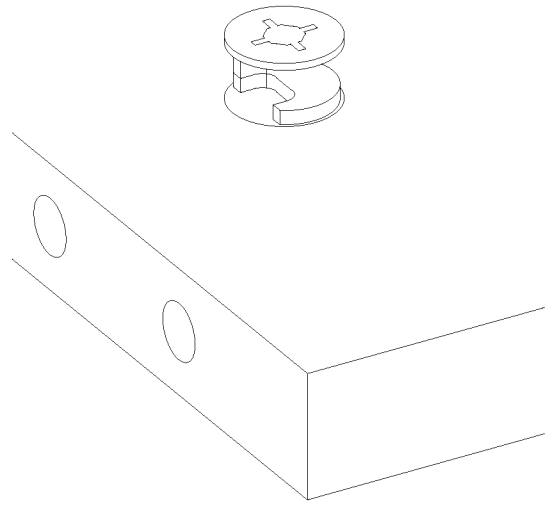
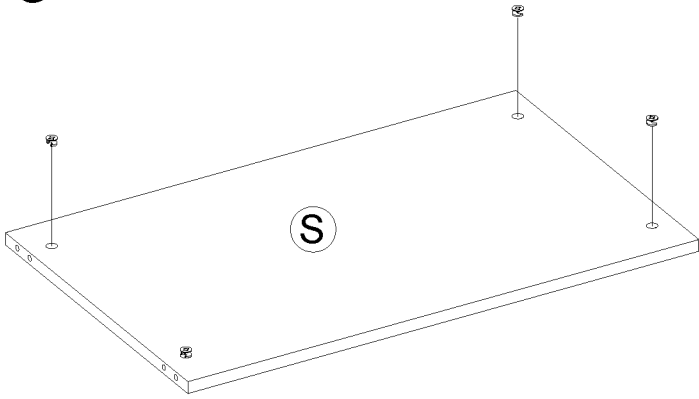
7



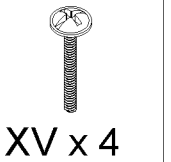
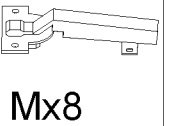
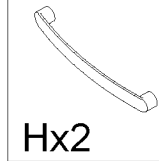
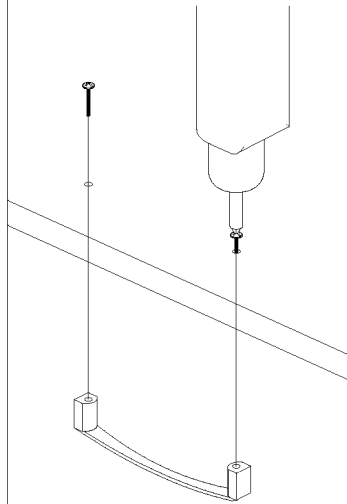
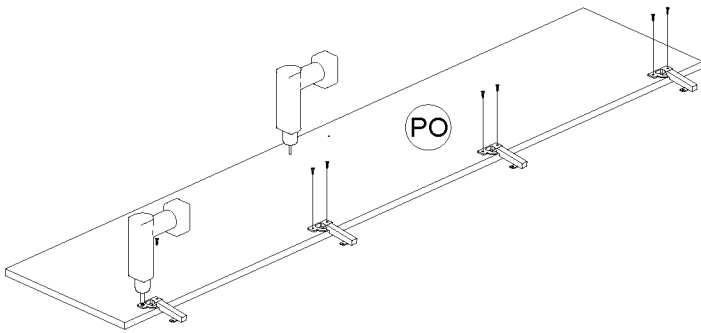
8



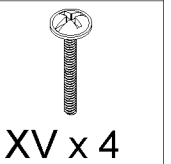
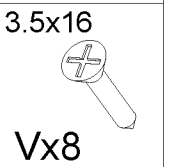
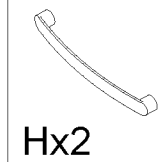
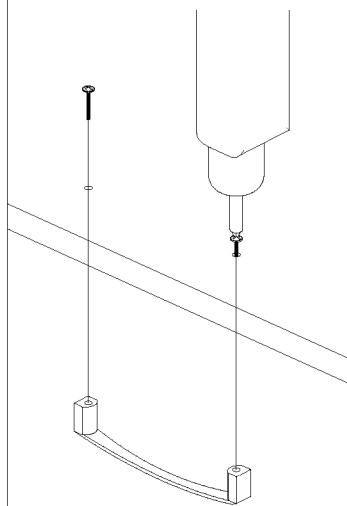
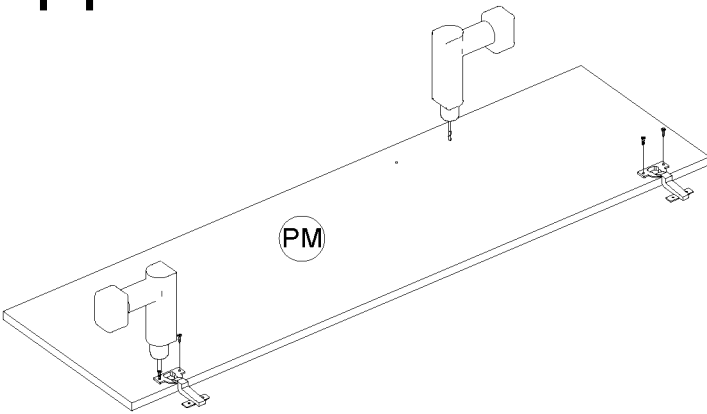
9



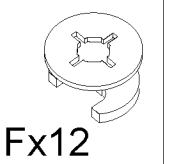
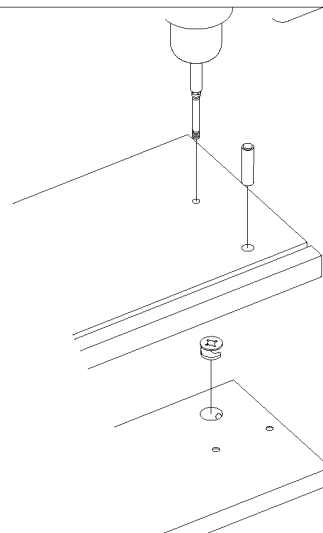
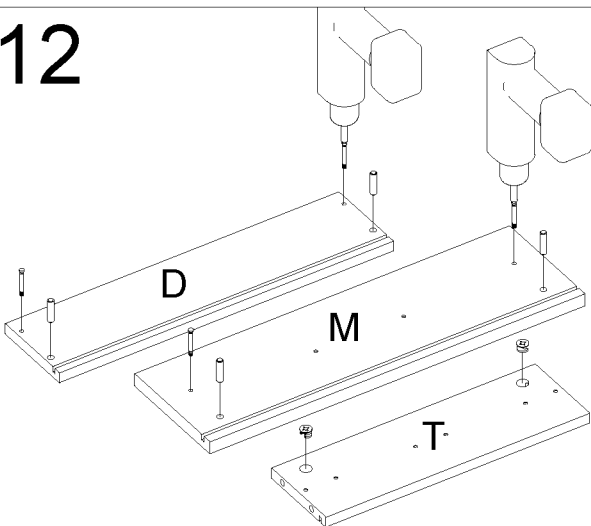
10



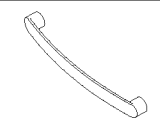
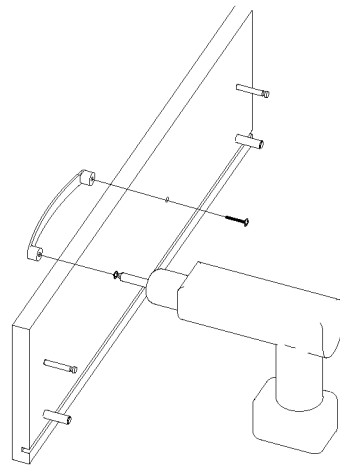
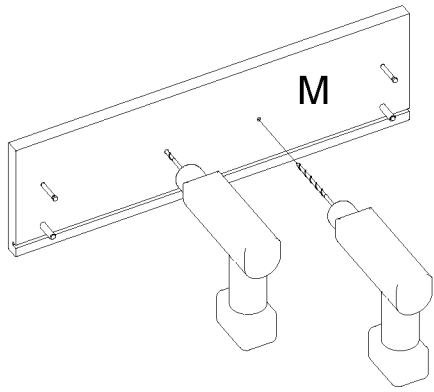
11



12



13

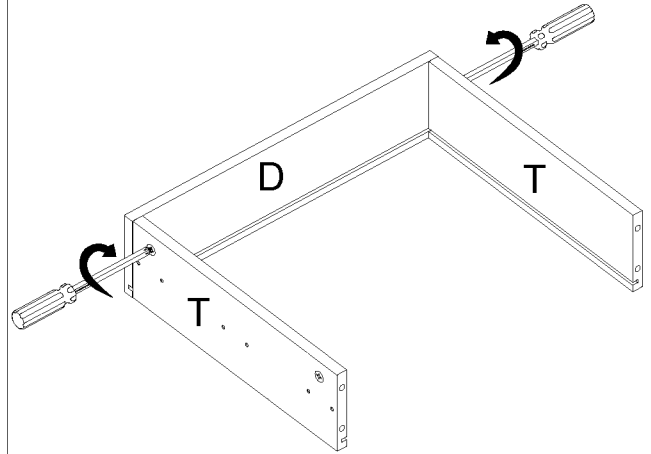
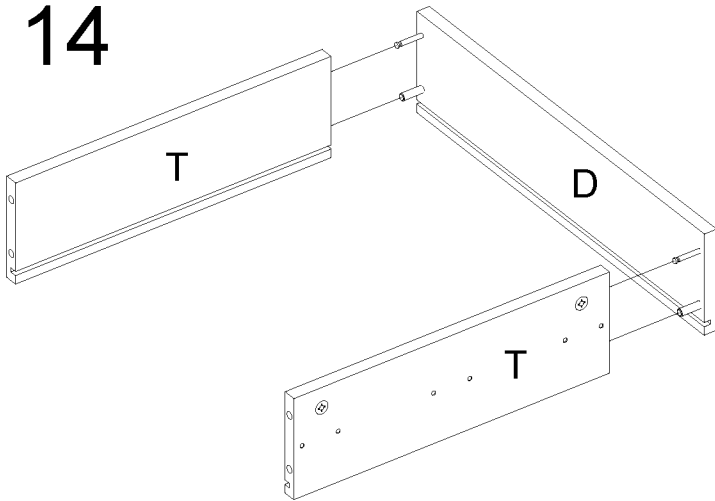


Hx3

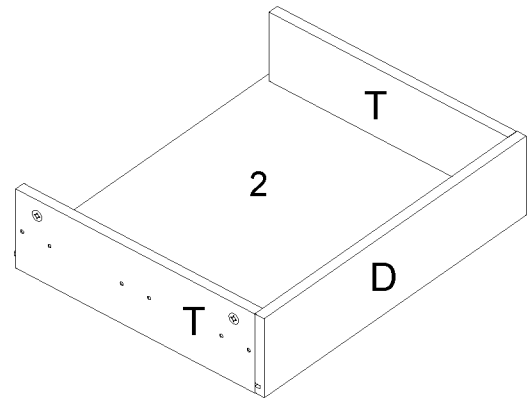
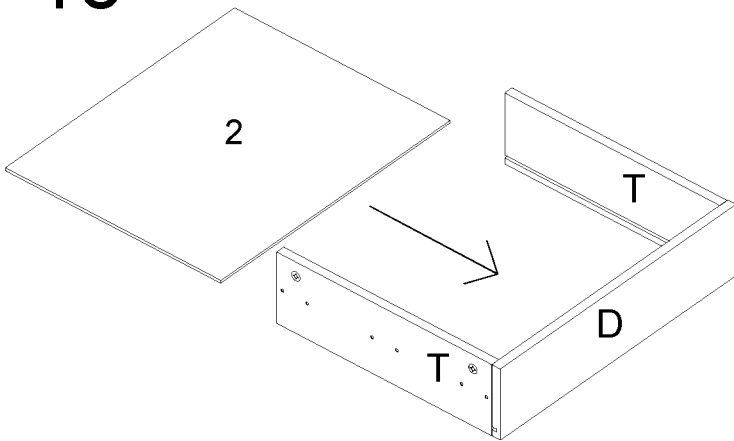


XV x 6

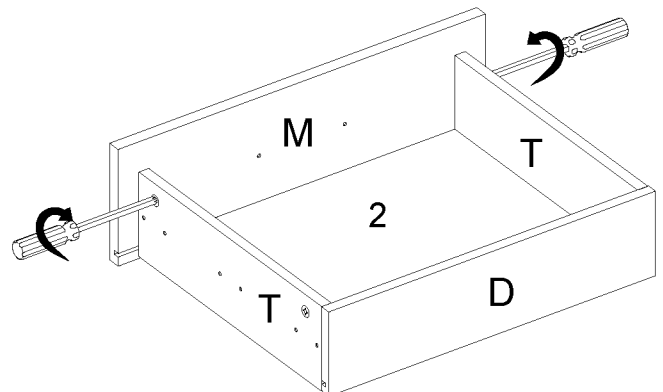
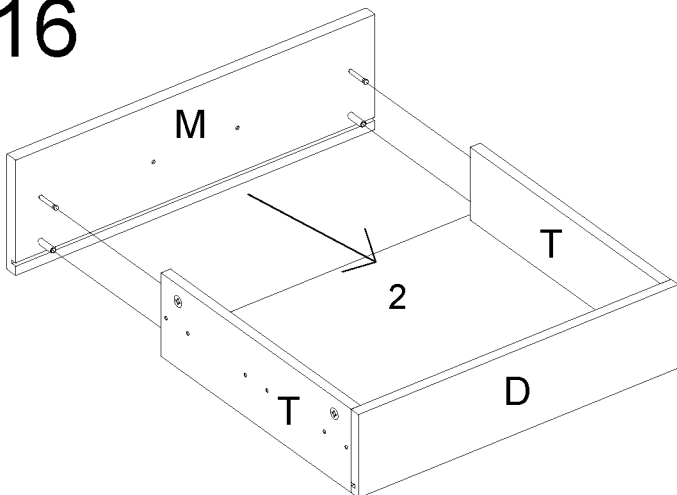
14



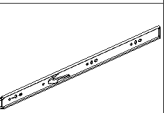
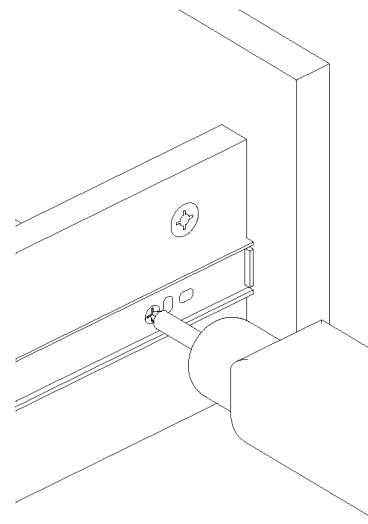
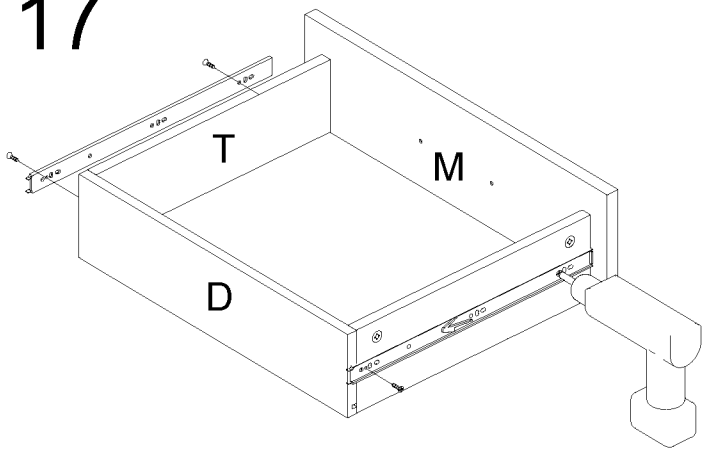
15



16

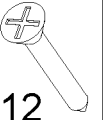


17



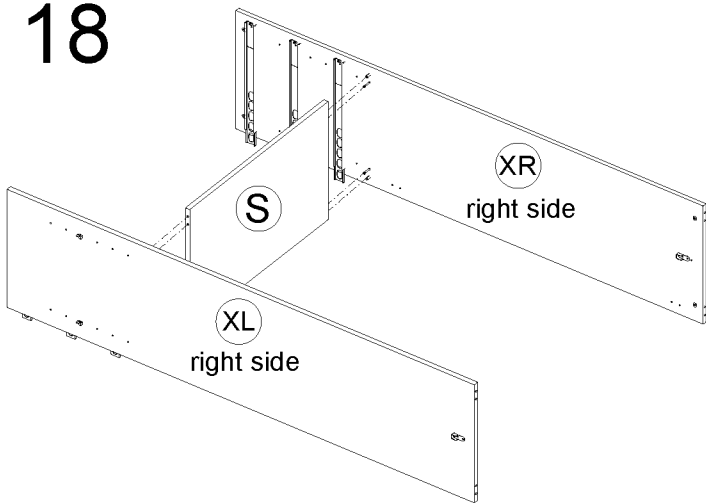
O1x6

3.5x16



Vx12

18

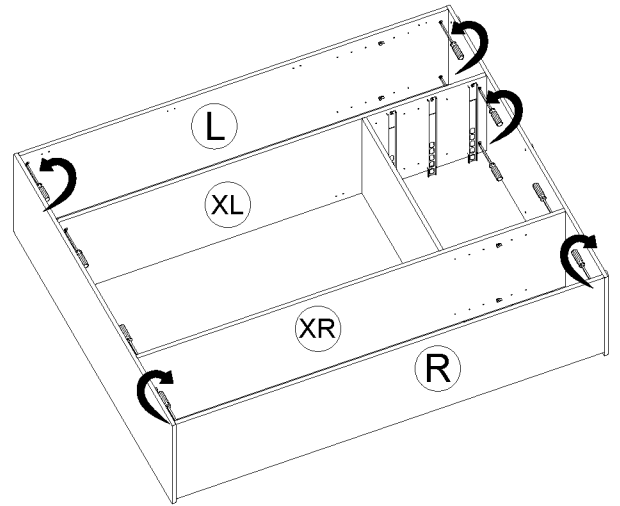
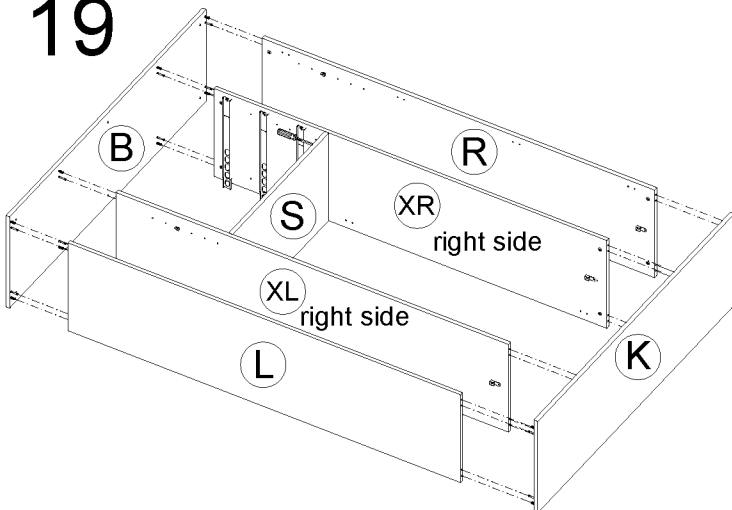


XR
right side

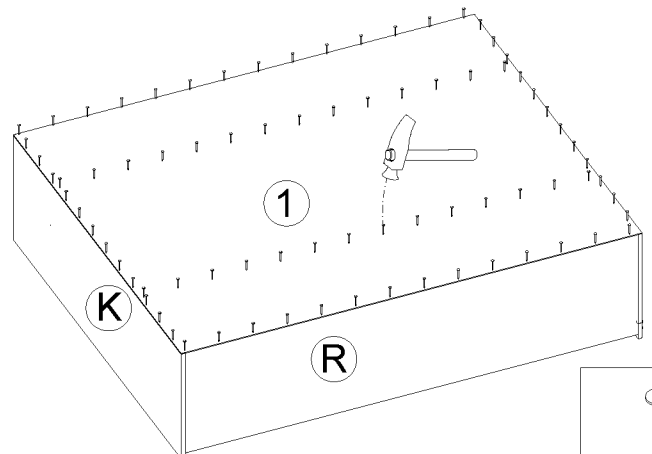
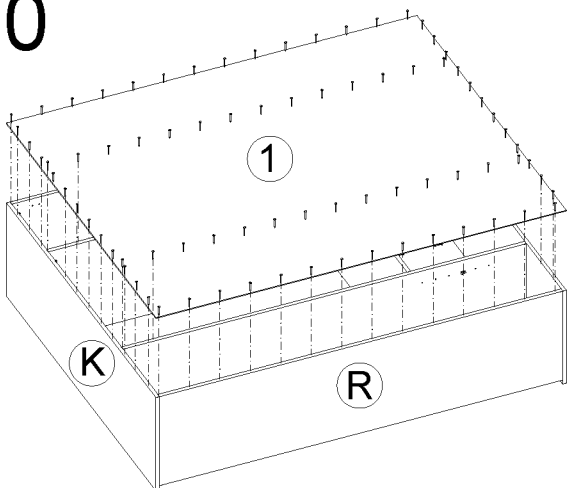
S

XL
right side

19

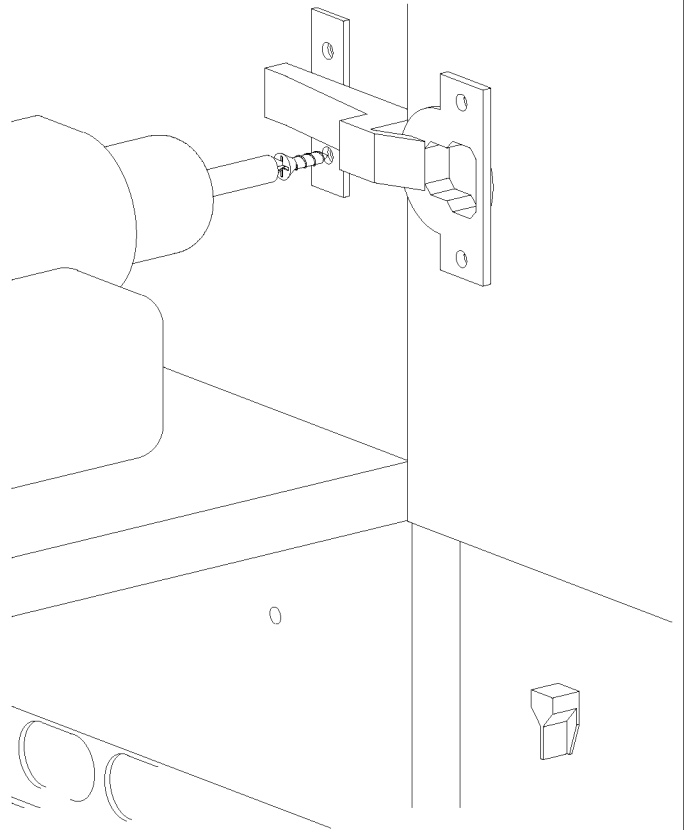
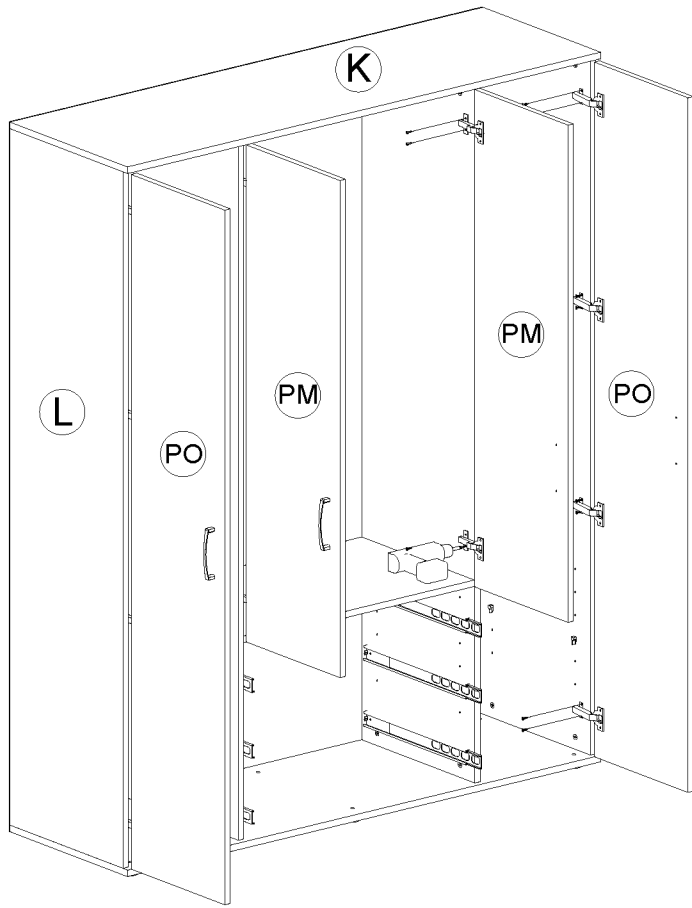


20



PRx40

21

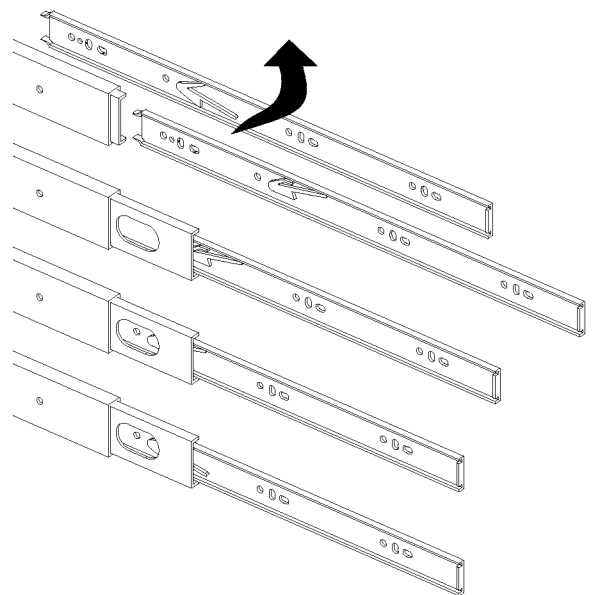
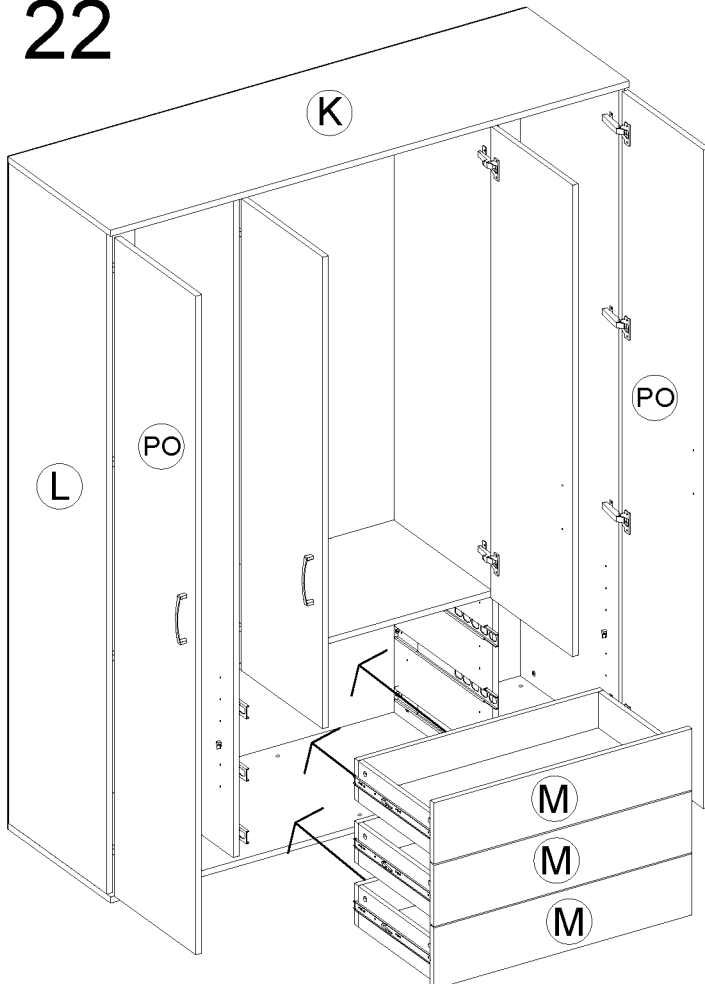


3.5x16

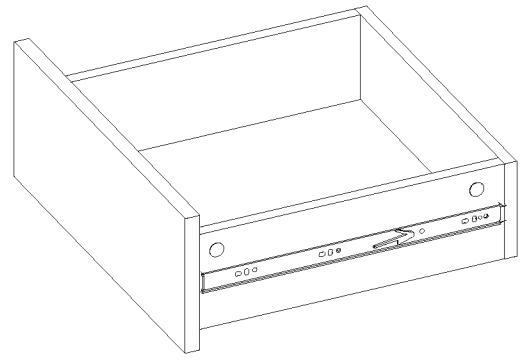
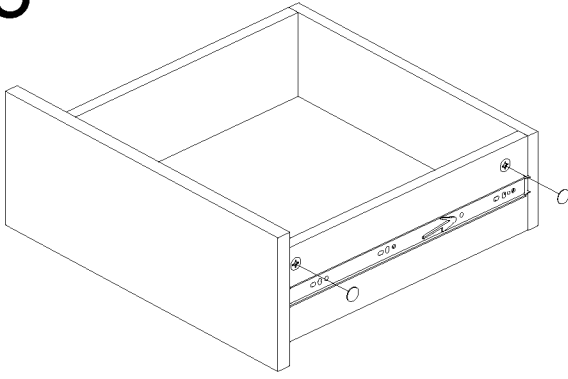


Vx24

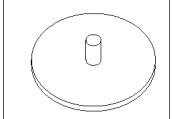
22



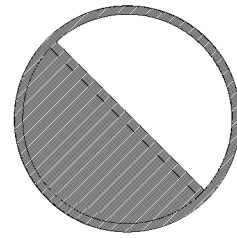
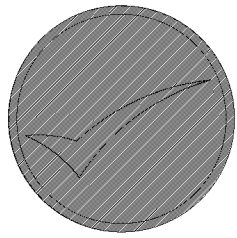
23



COVER ALL HOLES



TX28



Do...

Do not !

