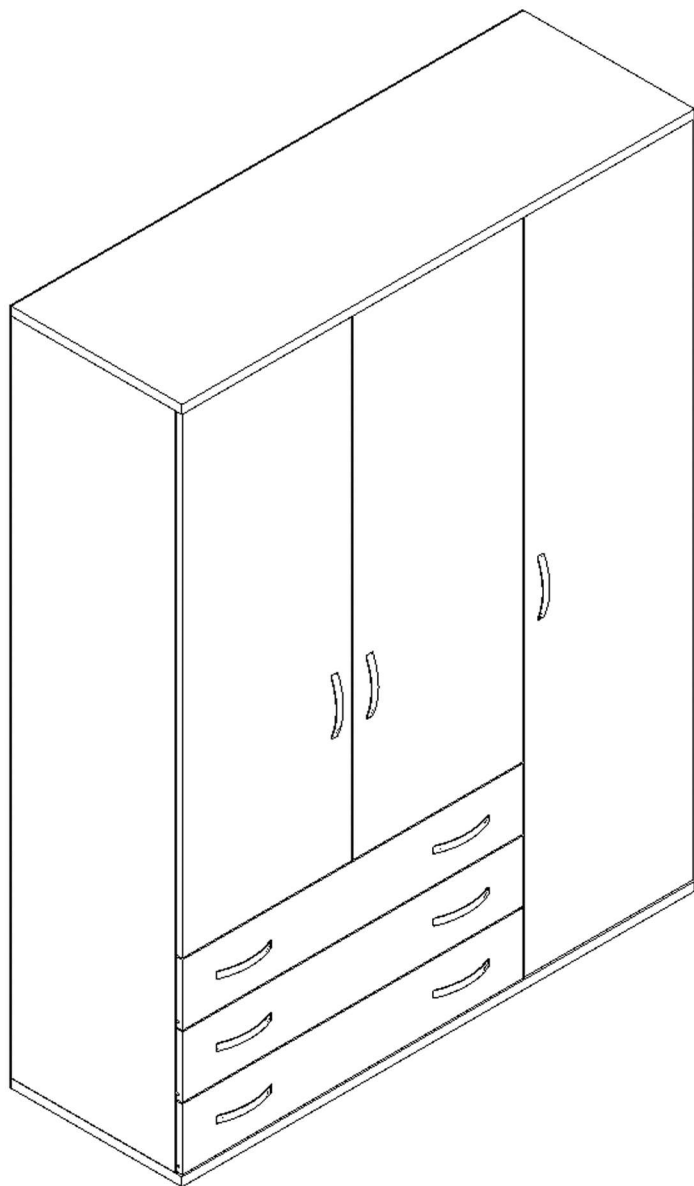
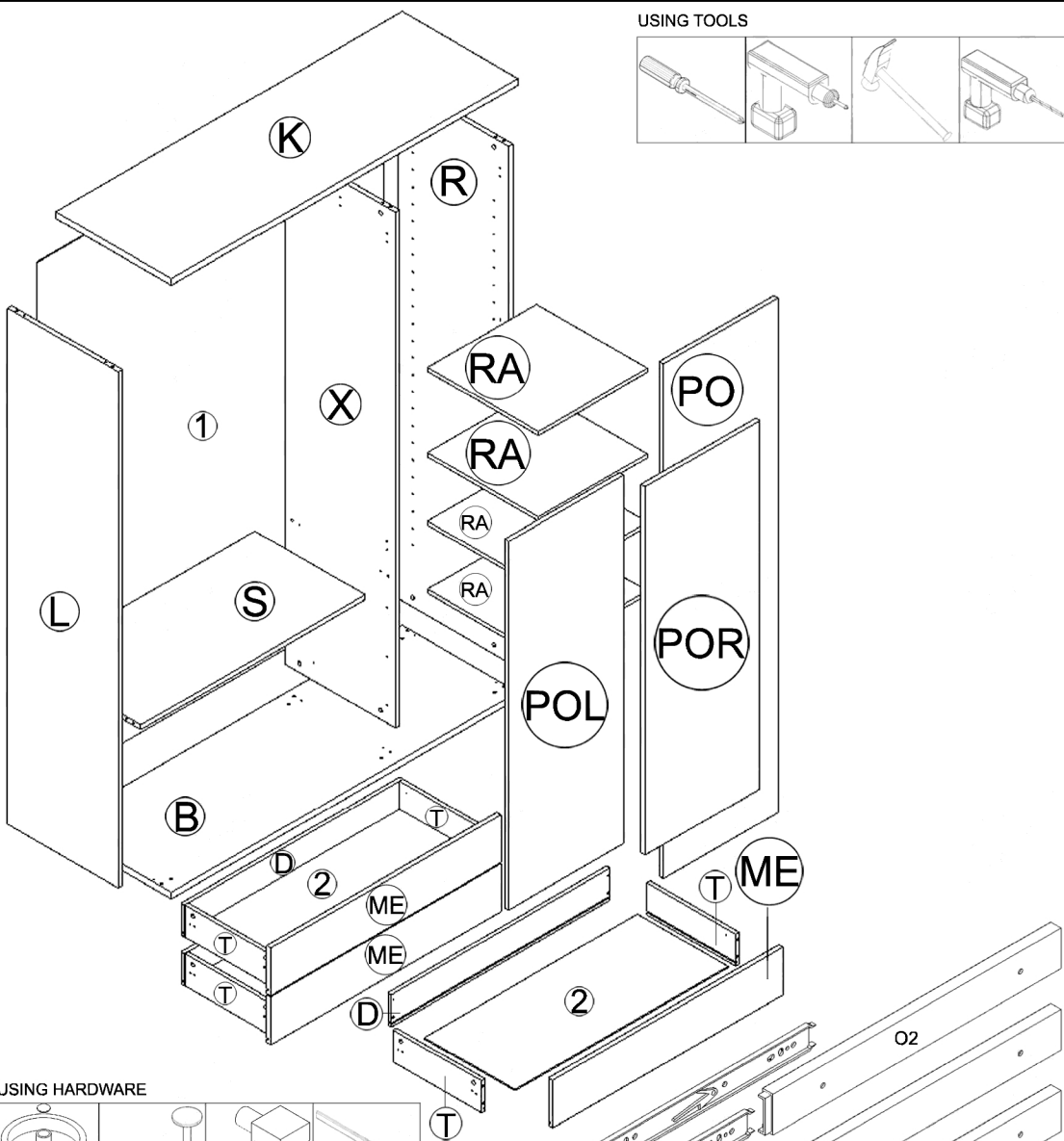
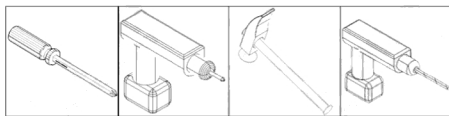


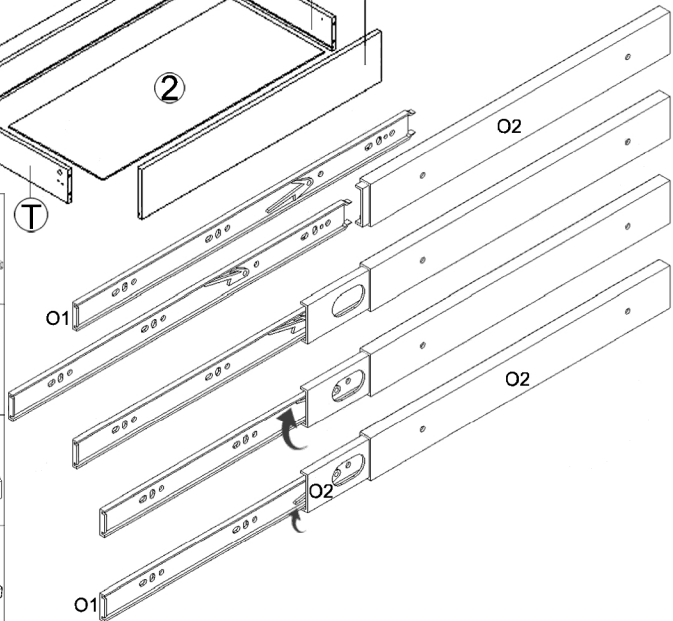
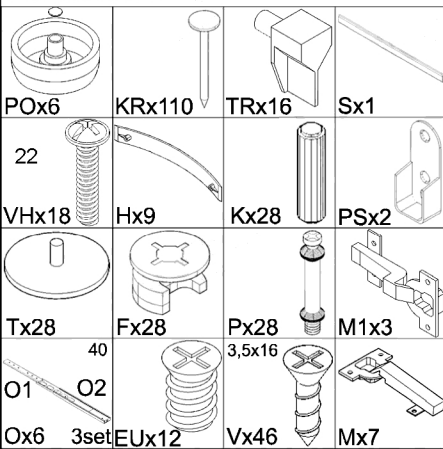
ADK 722

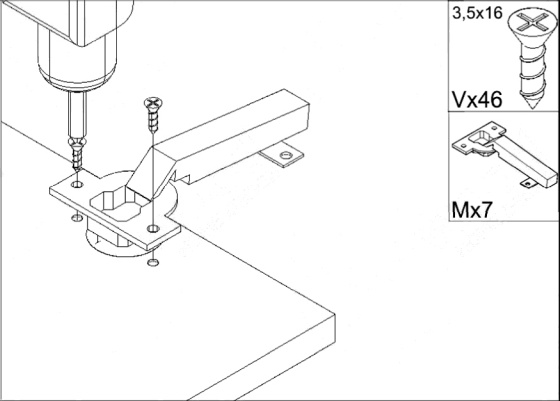
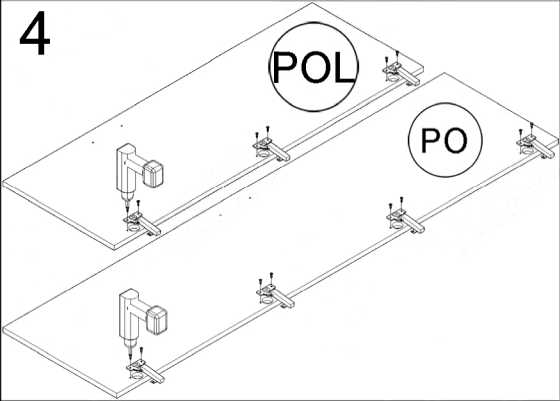
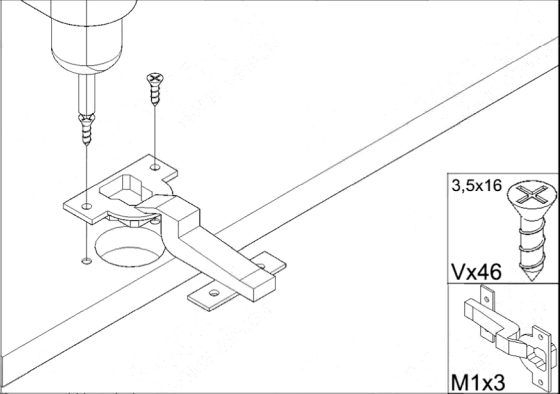
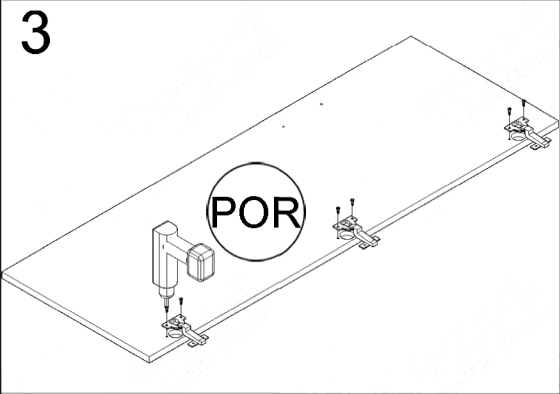
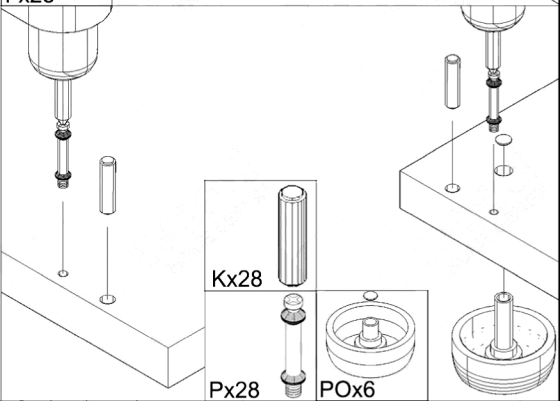
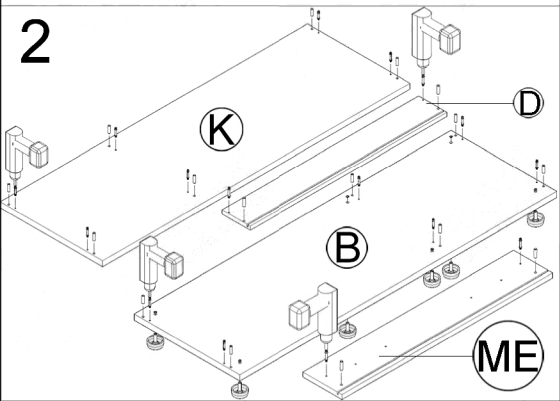
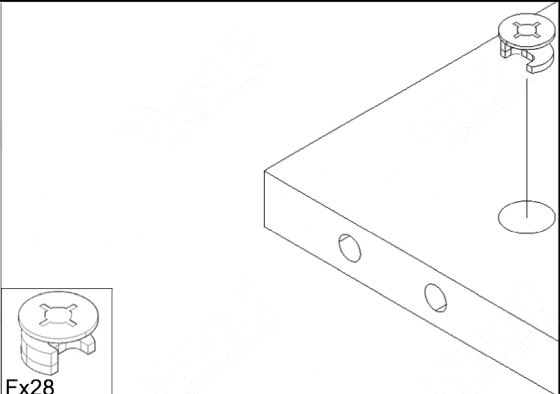
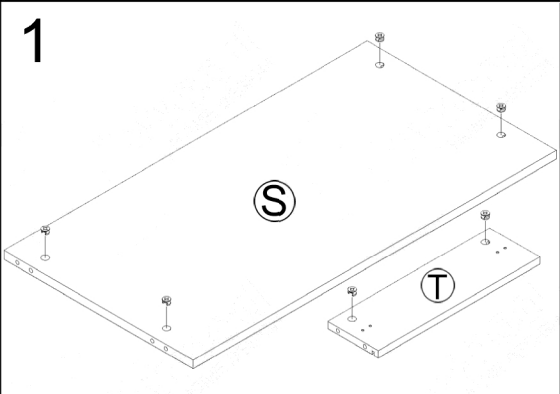


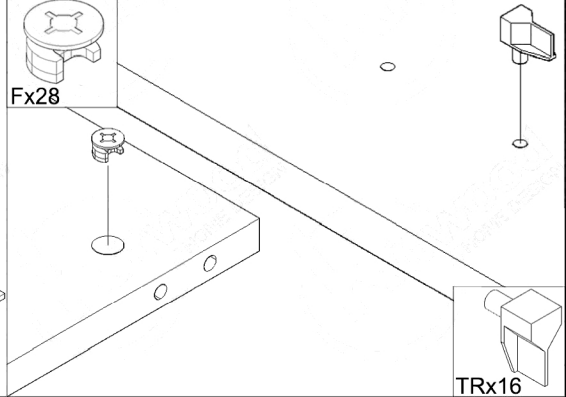
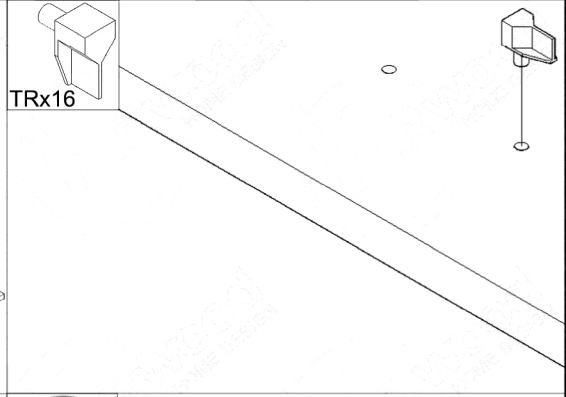
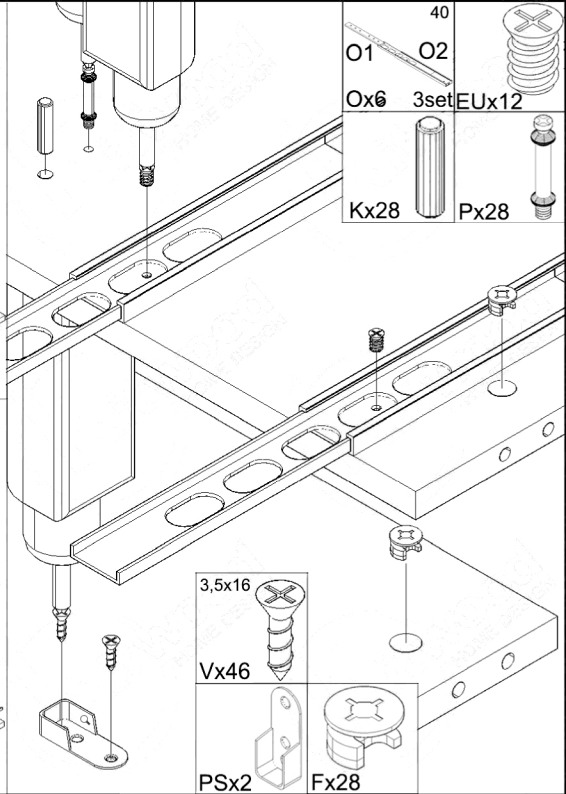
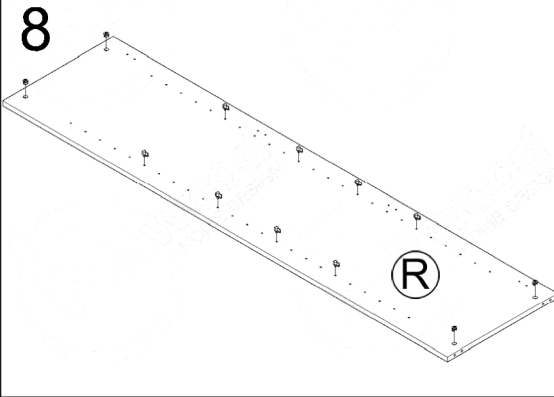
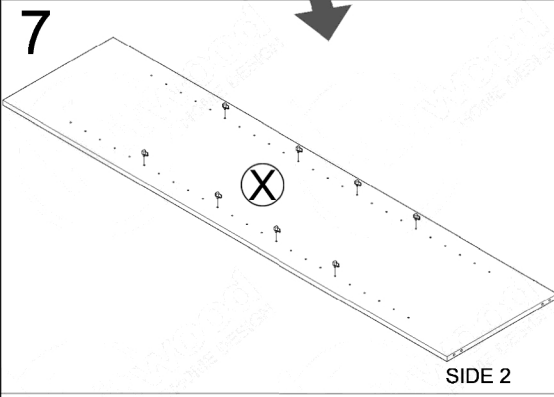
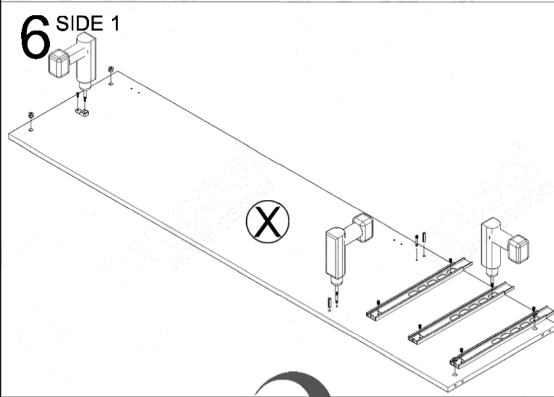
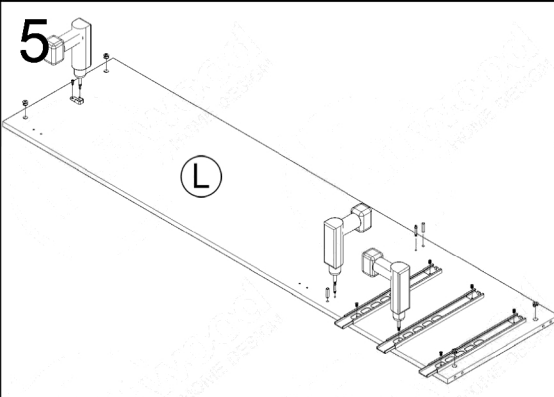
USING TOOLS

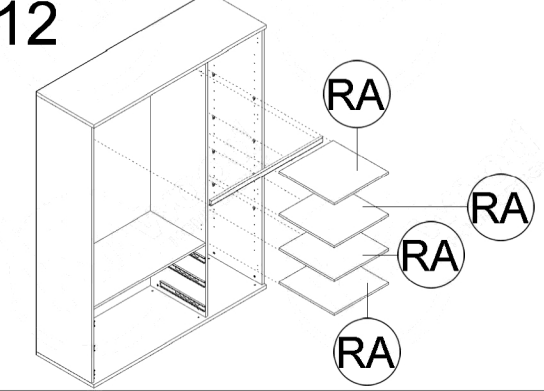
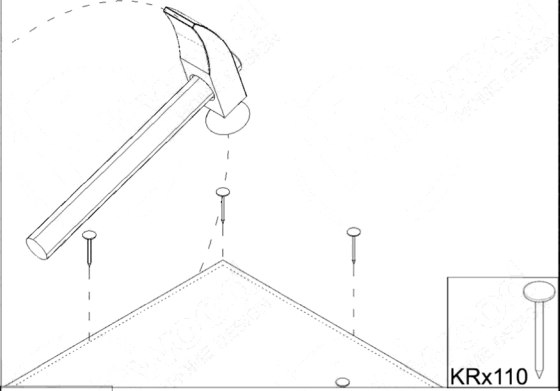
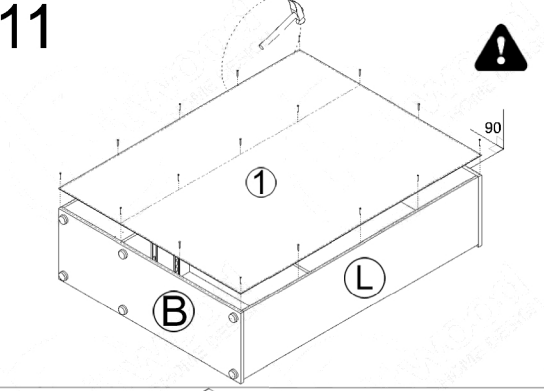
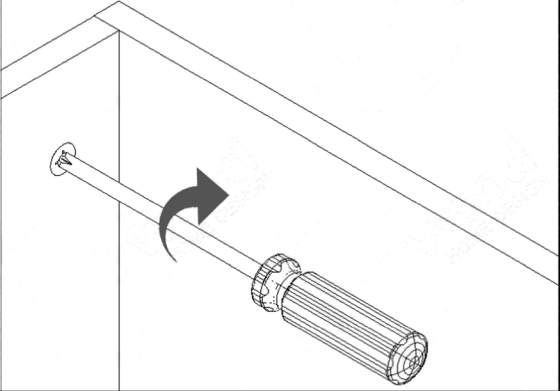
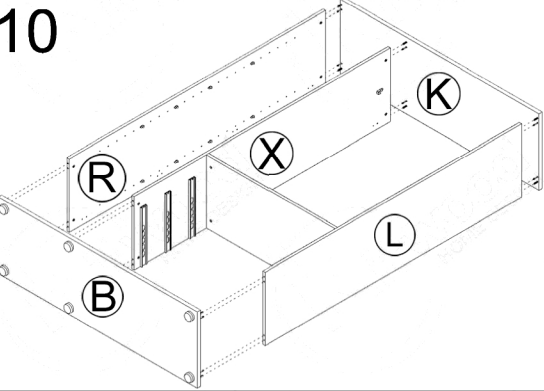
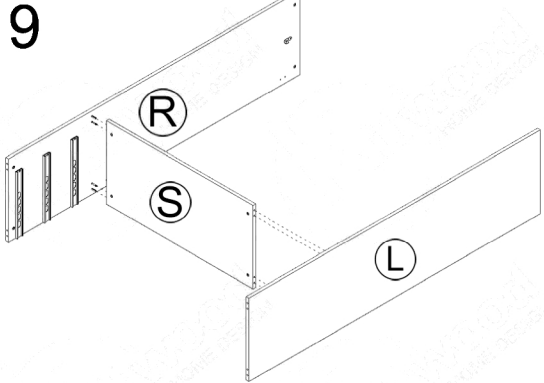


USING HARDWARE

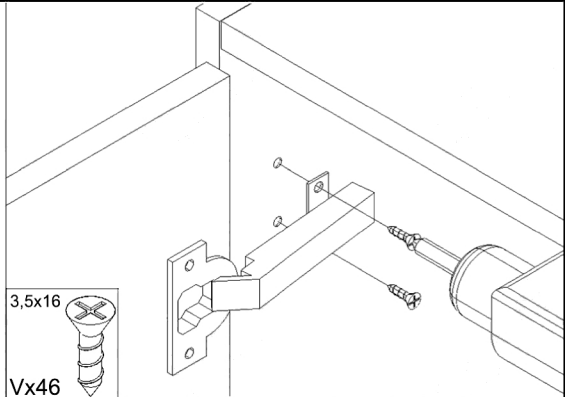
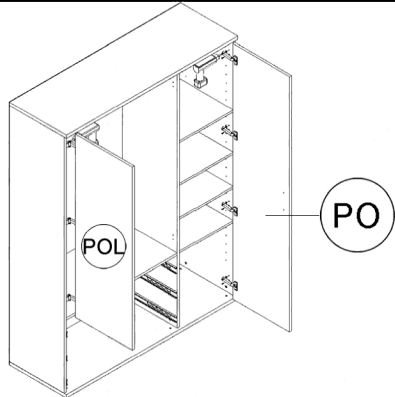




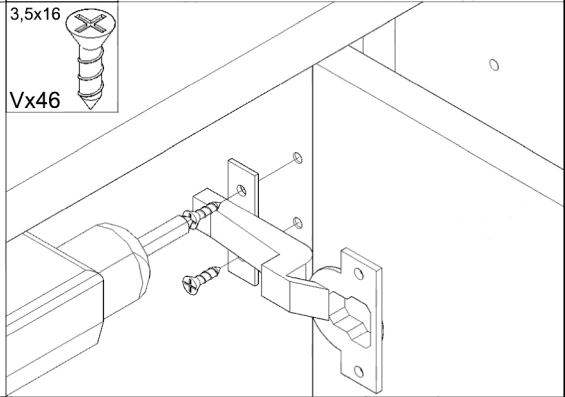
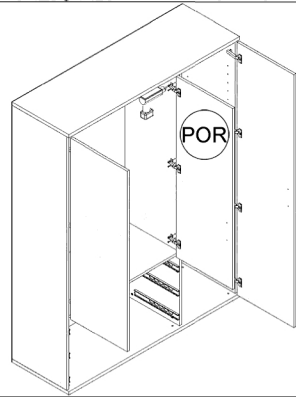




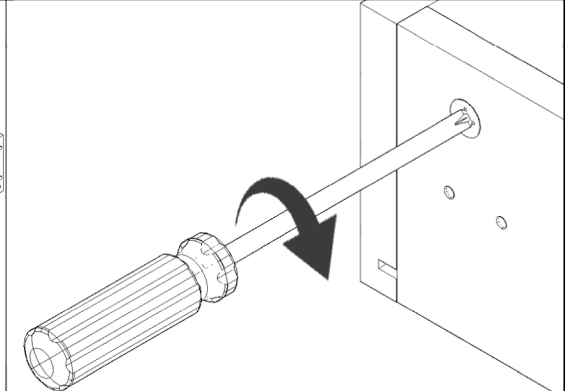
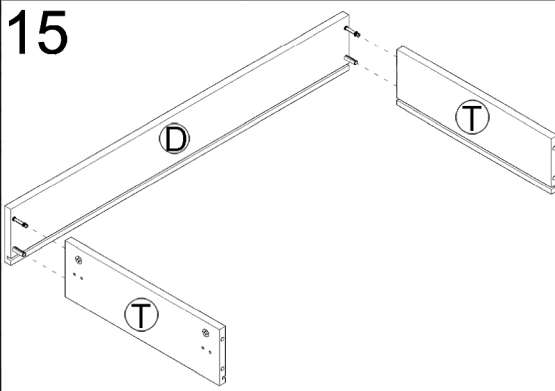
13



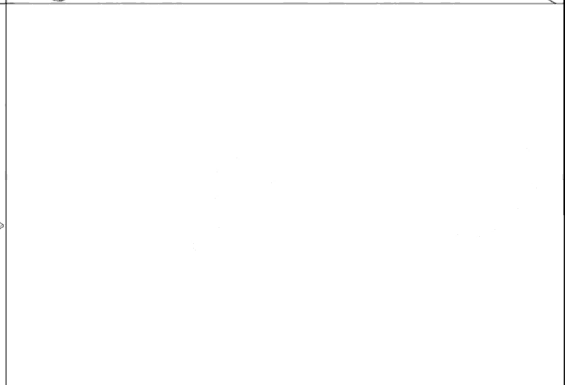
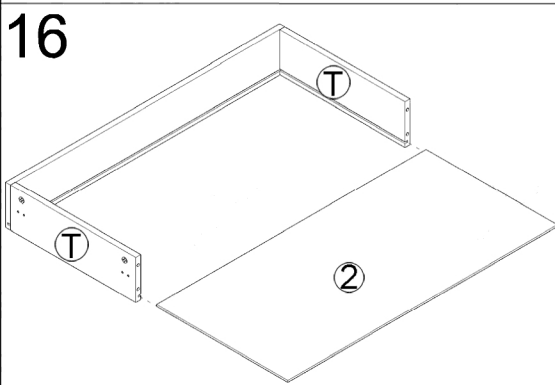
14



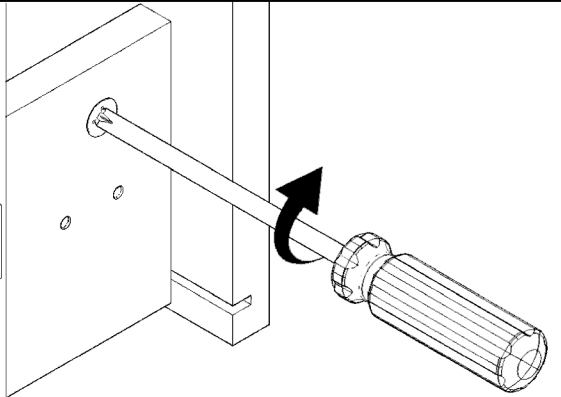
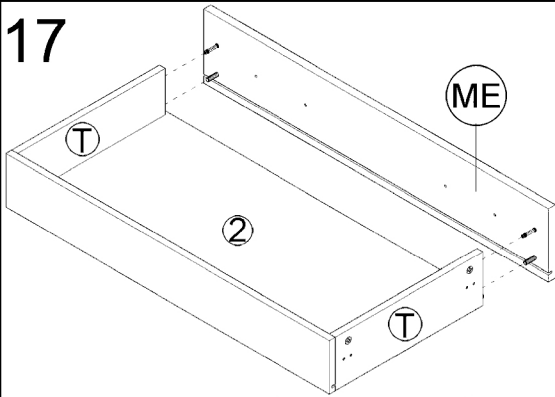
15



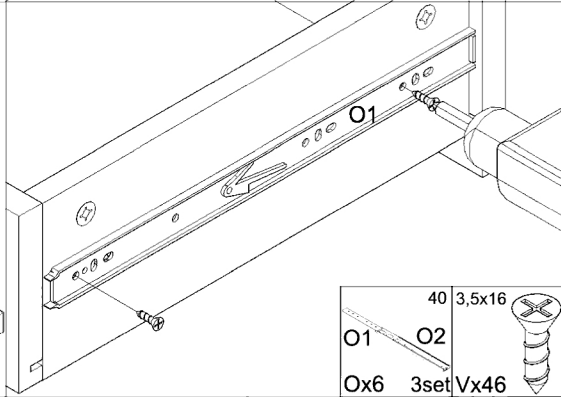
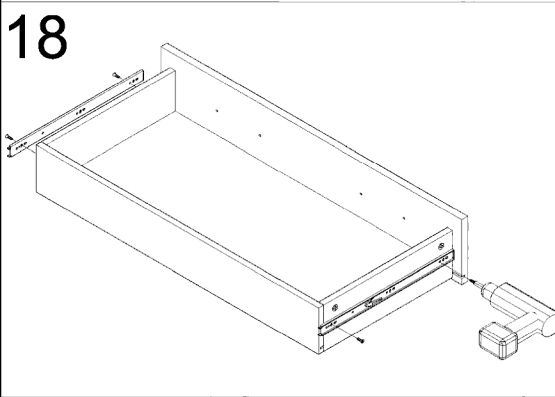
16



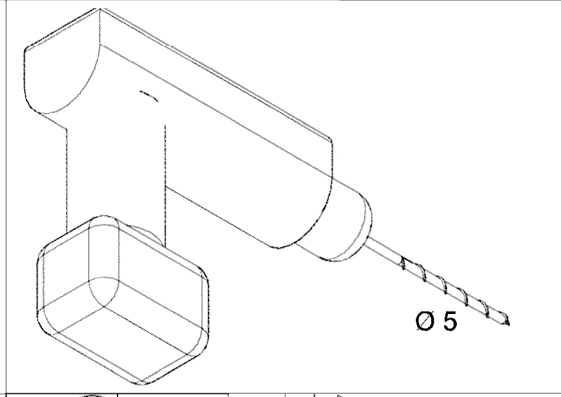
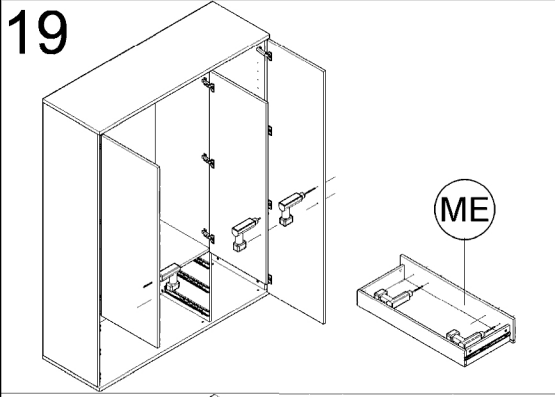
17



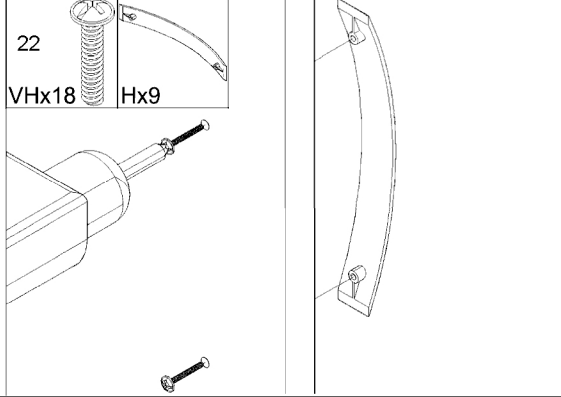
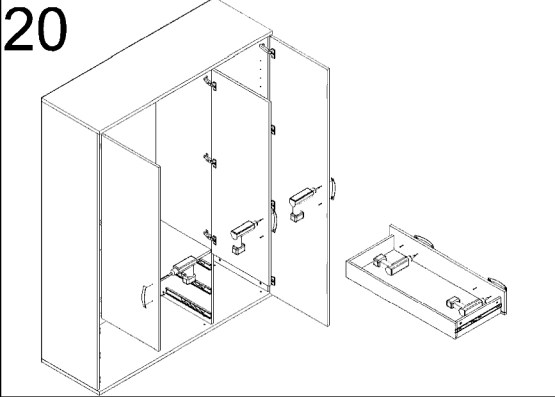
18



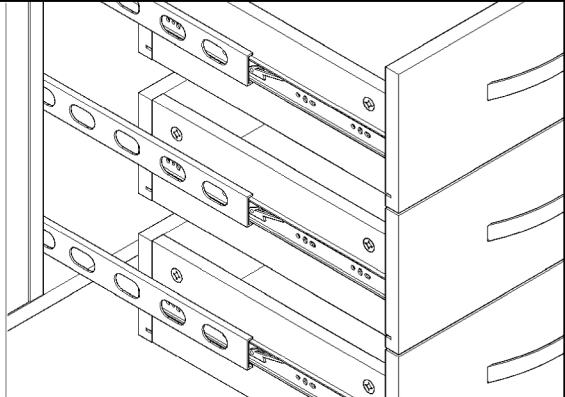
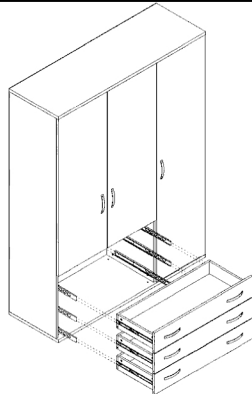
19



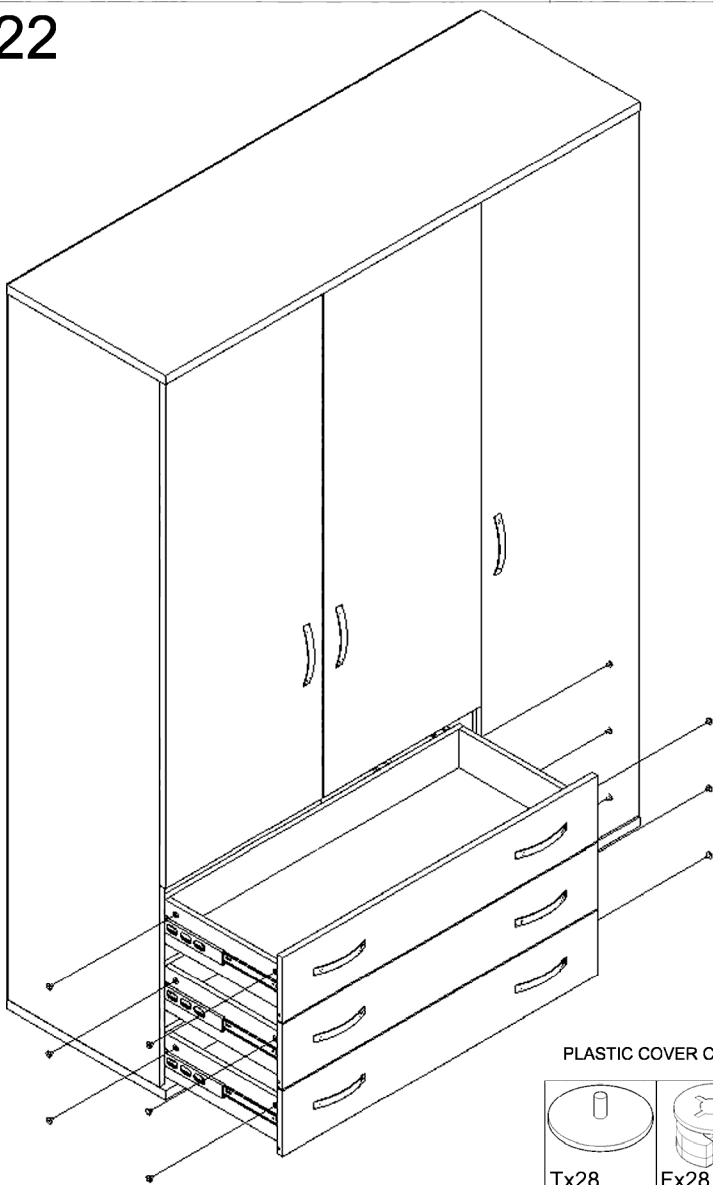
20



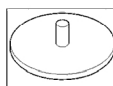
21



22



PLASTIC COVER CAPS



Tx28



Fx28

