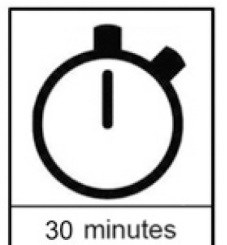
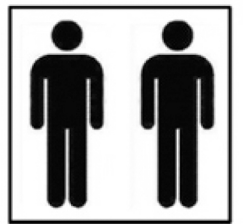
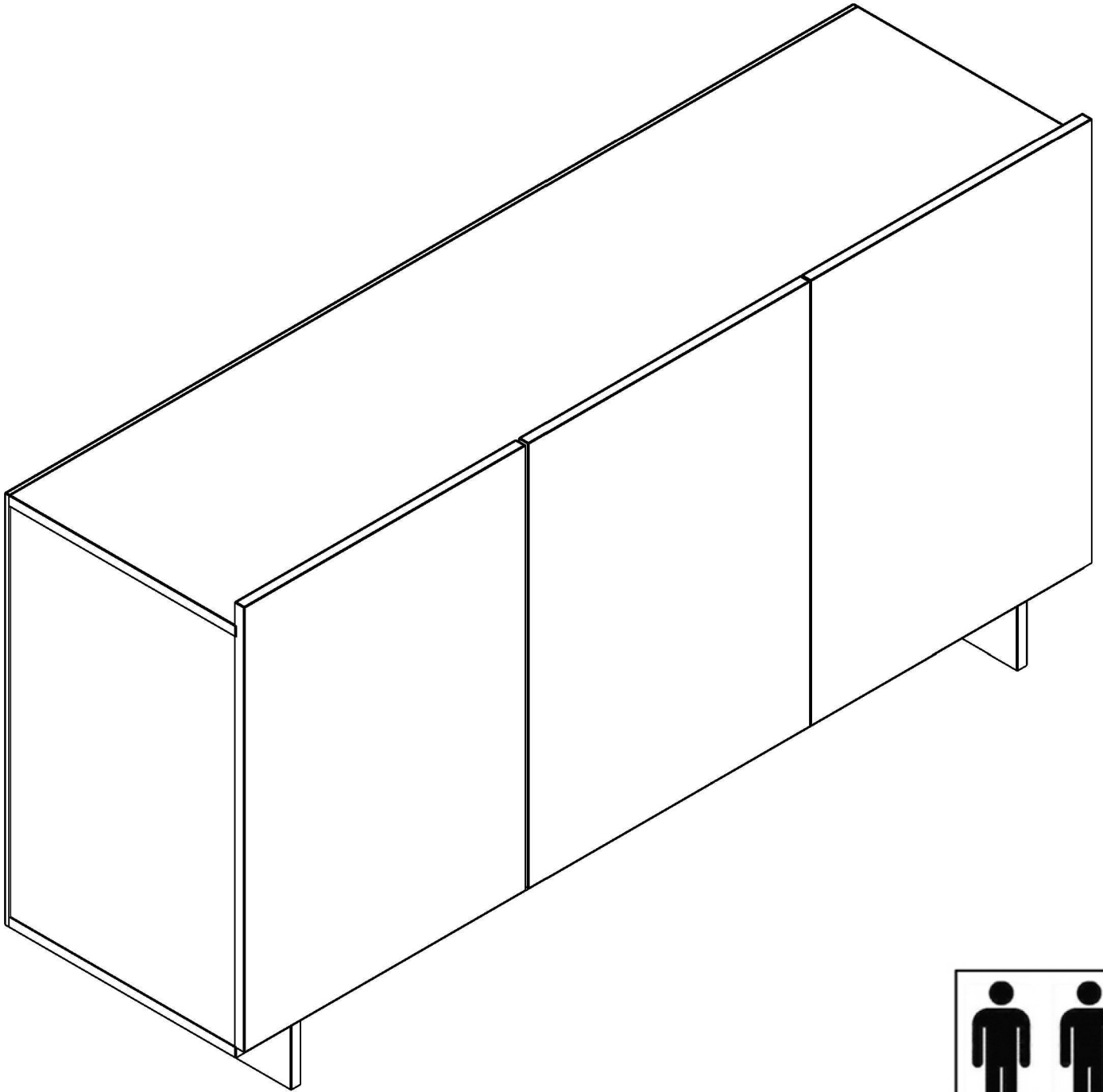
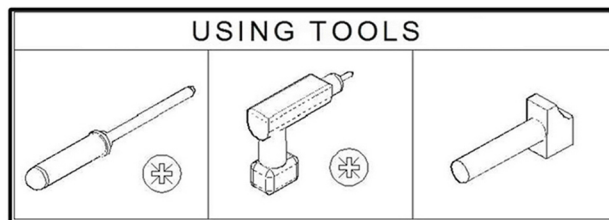
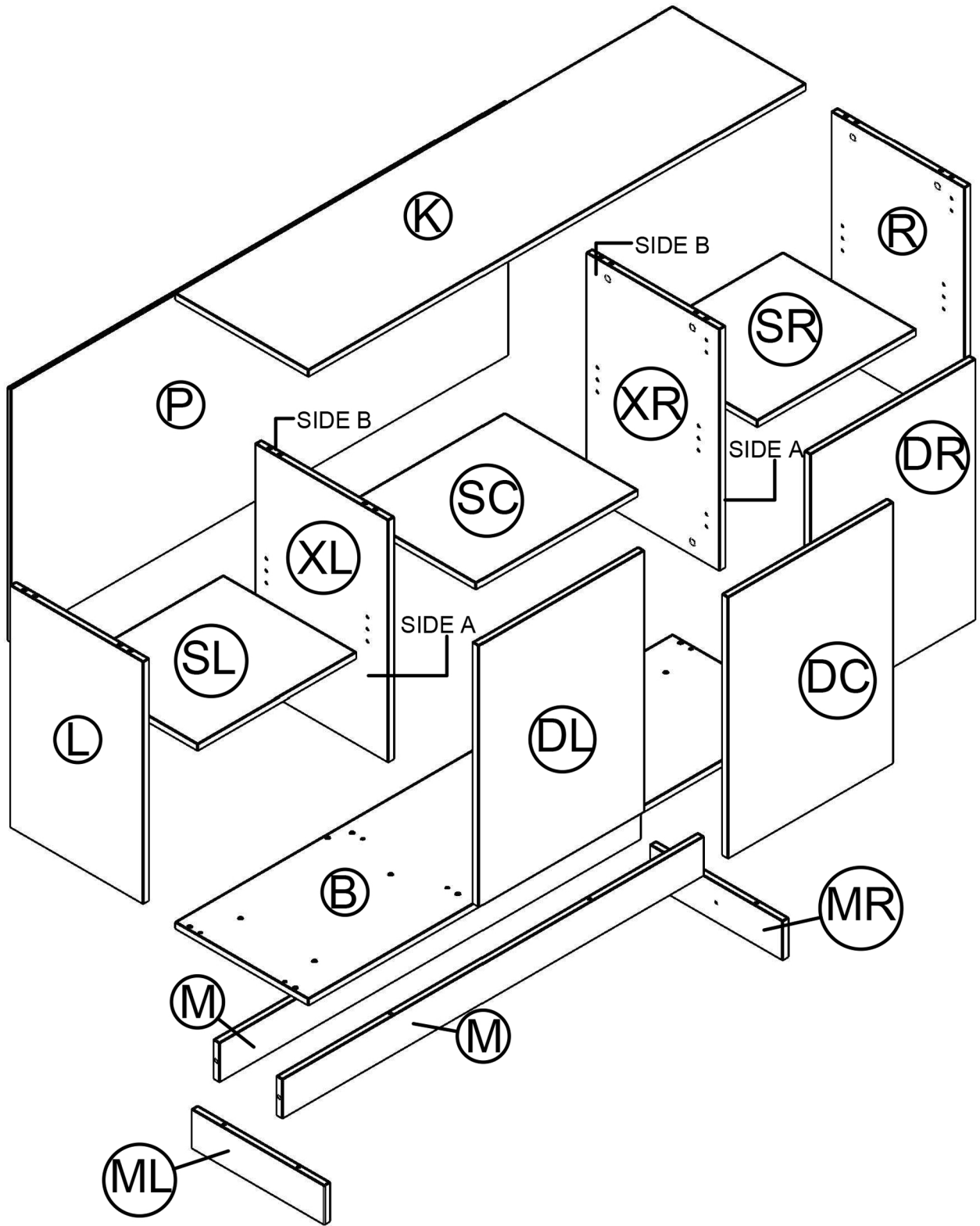
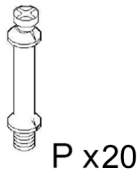
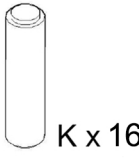


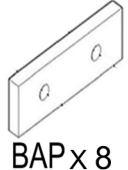
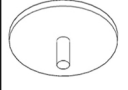

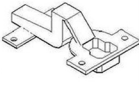
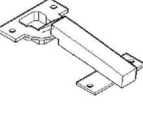
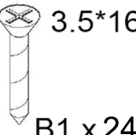

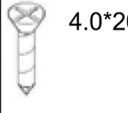


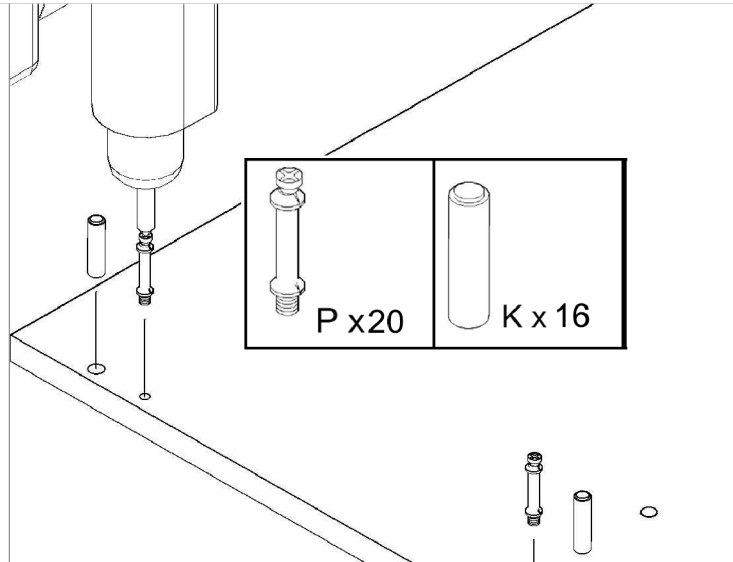
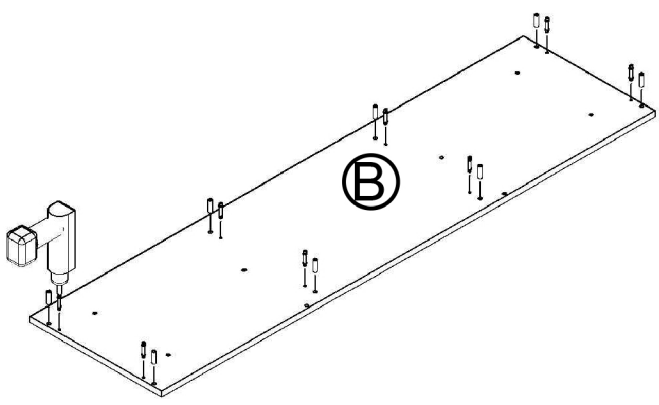
GRK1005



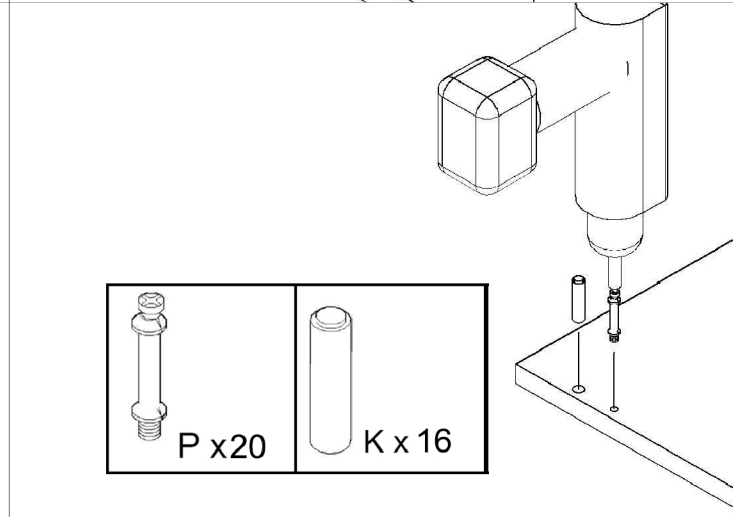
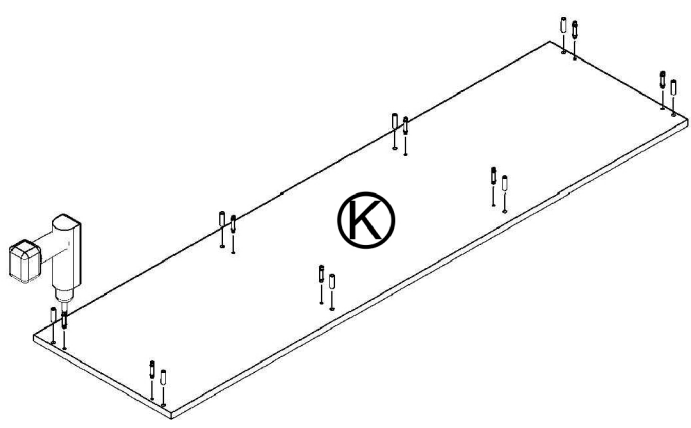


 P x 20	 K x 16	 F x 20	 BP x 8	 BAP x 8	 TP x 20
 T x 12	 MG x 2	 MI x 4	 B1 x 24	 N x 30	 B2 x 16

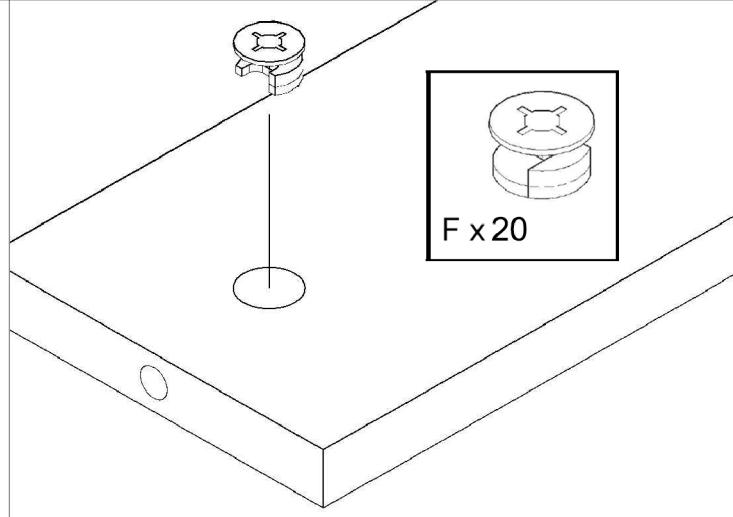
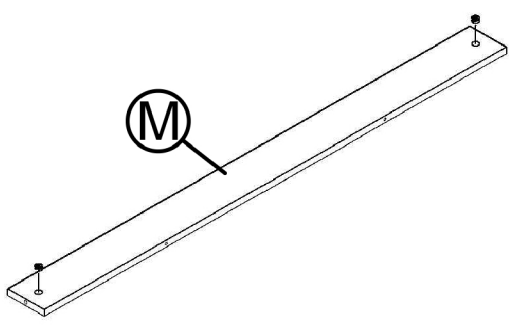
1



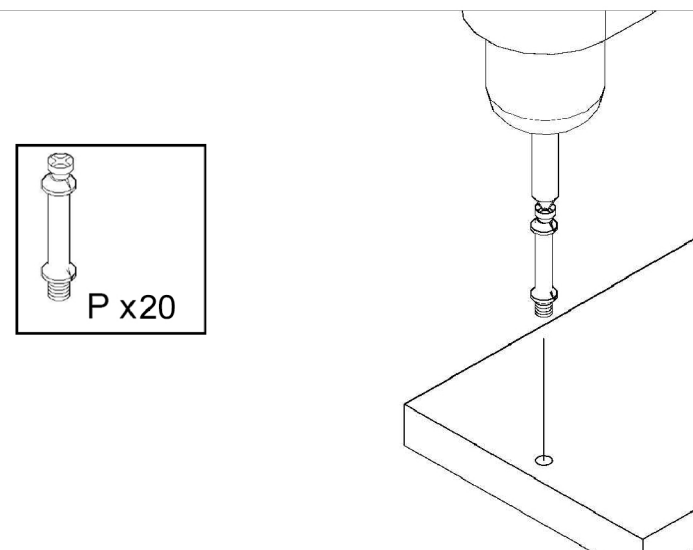
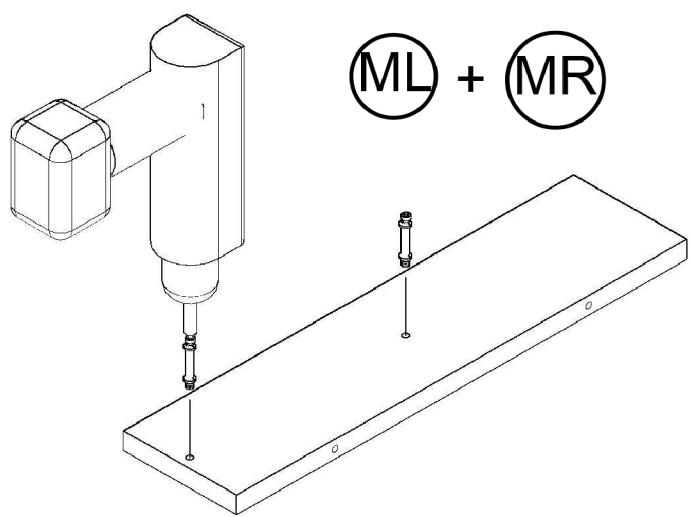
2



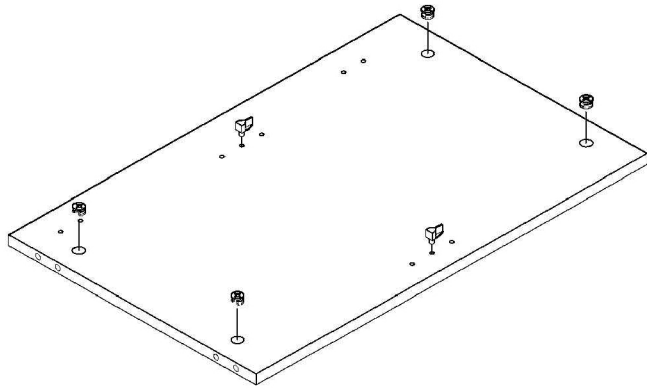
3



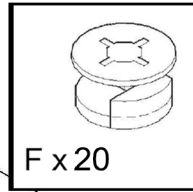
4



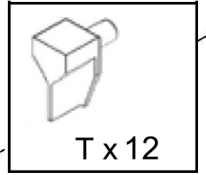
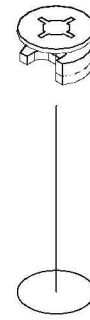
5



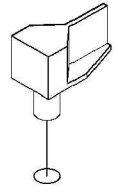
(L) + (R)



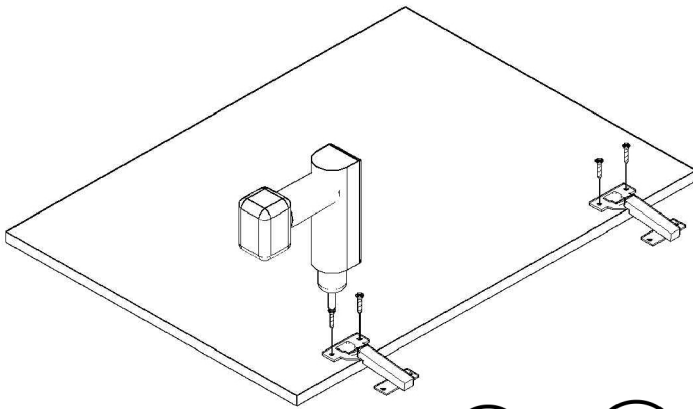
F x 20



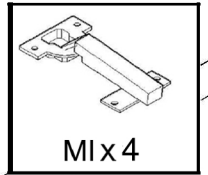
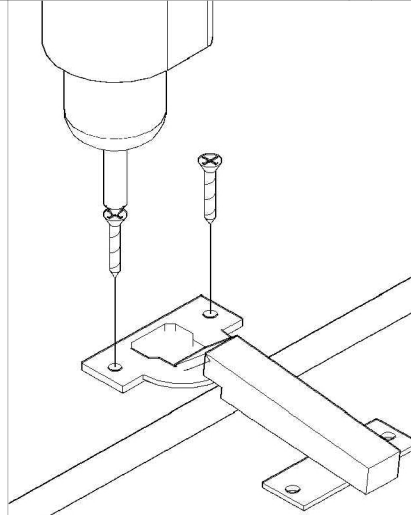
T x 12



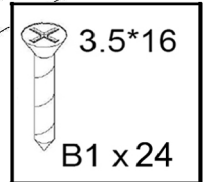
6



(DL) + (DR)



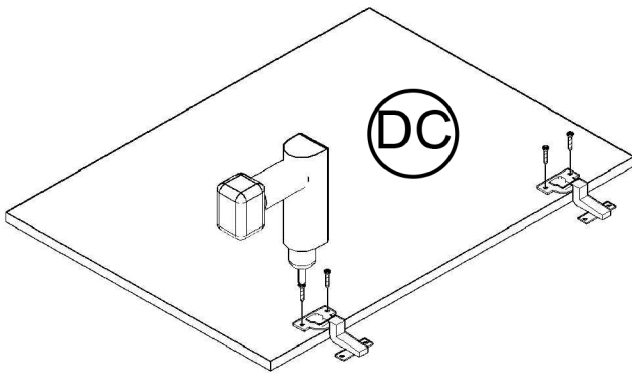
MI x 4



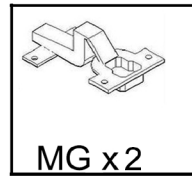
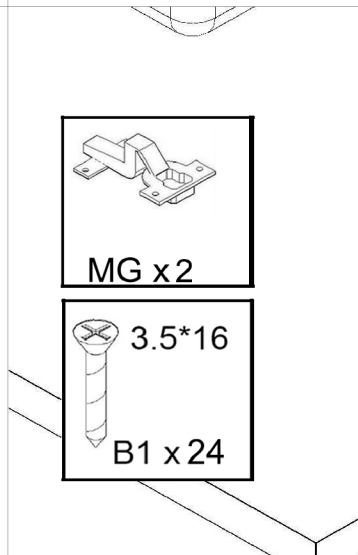
3.5*16

B1 x 24

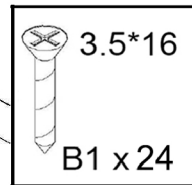
7



(DC)

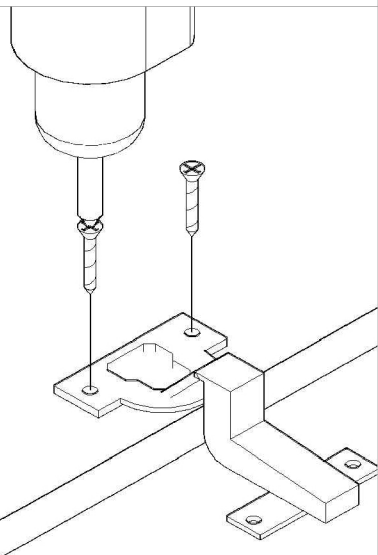


MG x 2



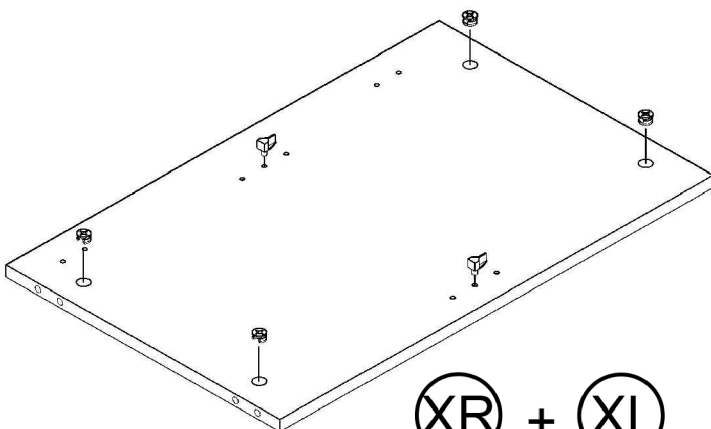
3.5*16

B1 x 24

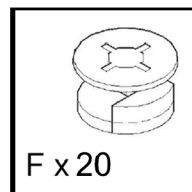


8

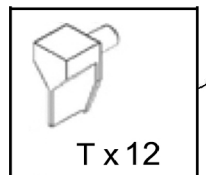
SIDE B



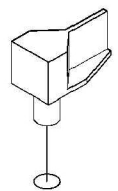
(XR) + (XL)



F x 20

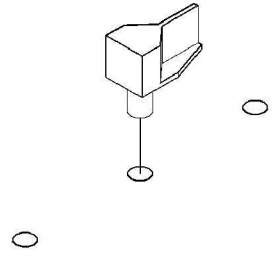
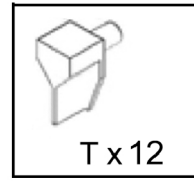
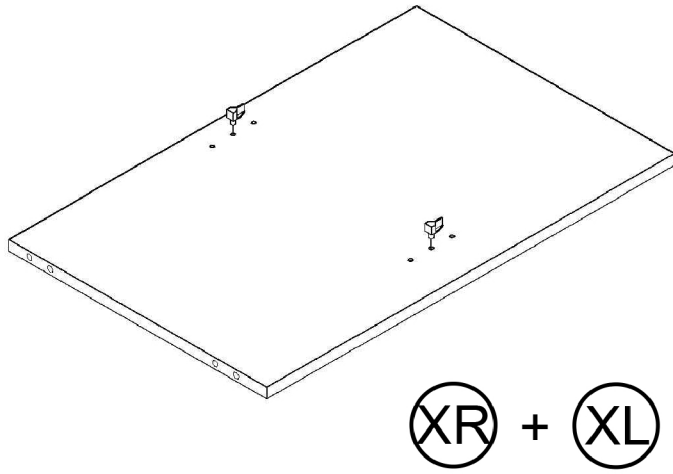


T x 12

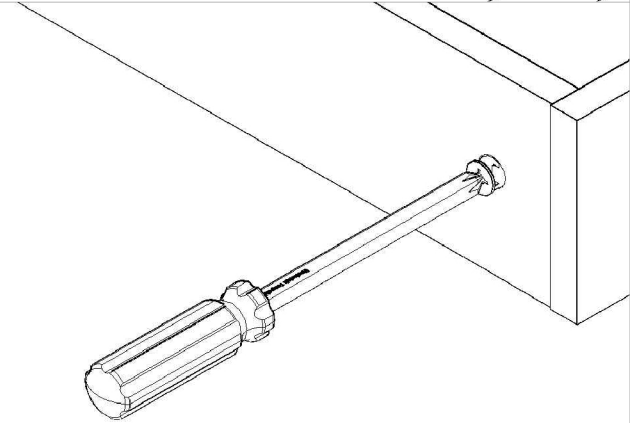
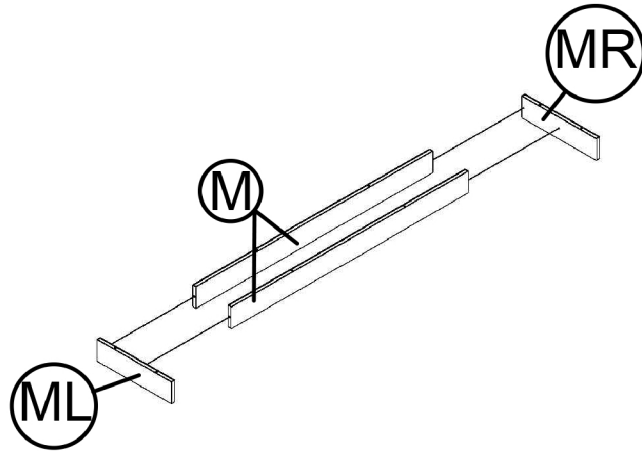


SIDE A

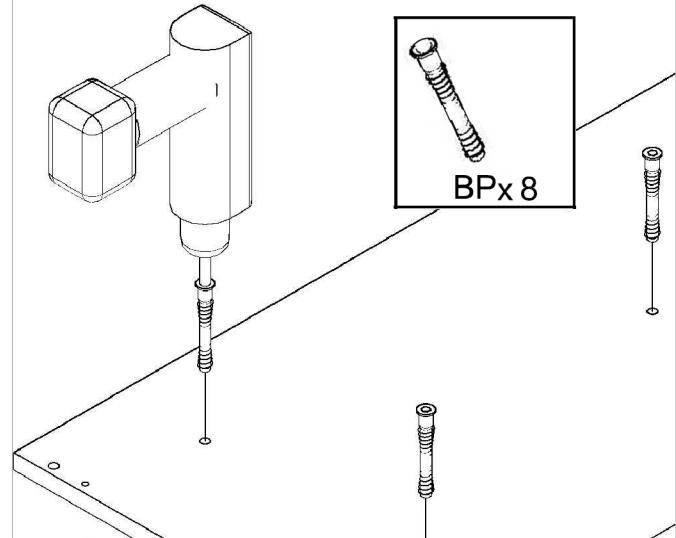
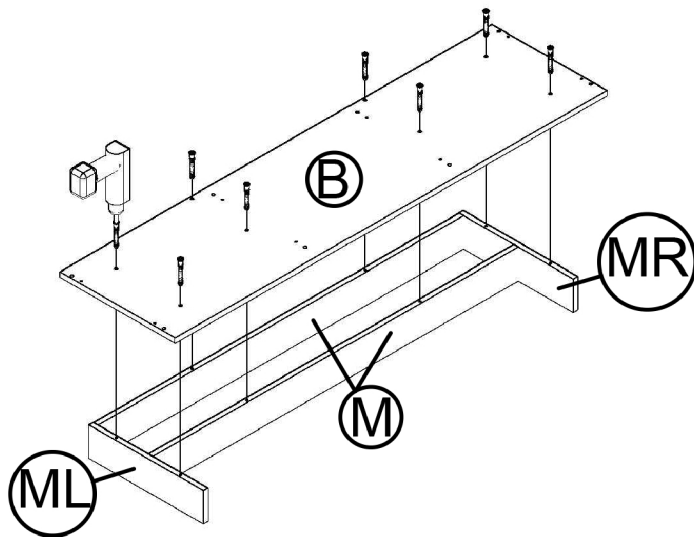
9



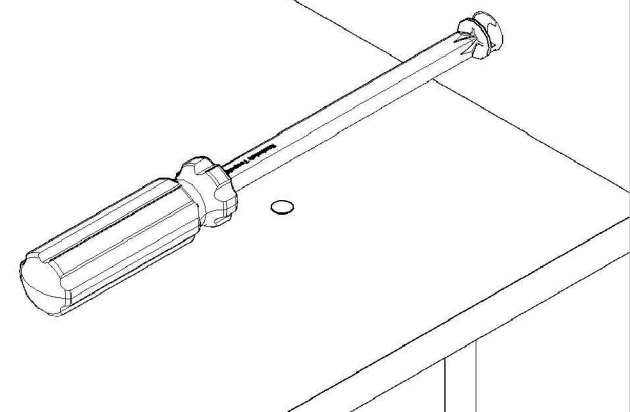
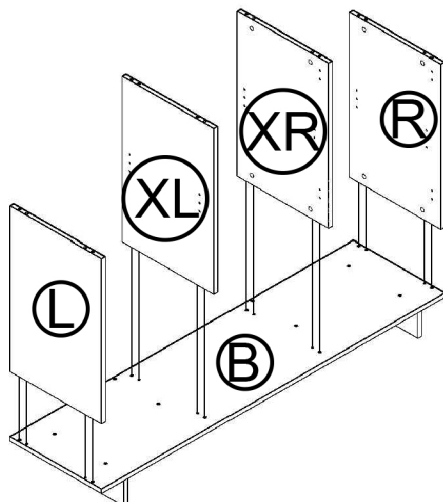
10



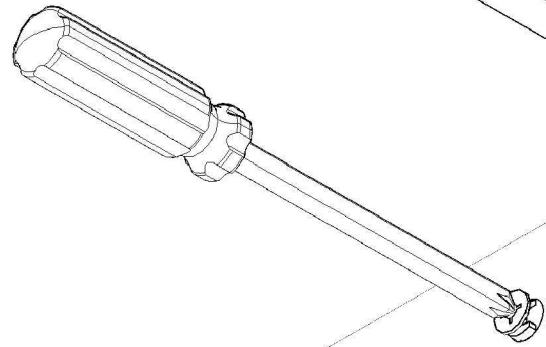
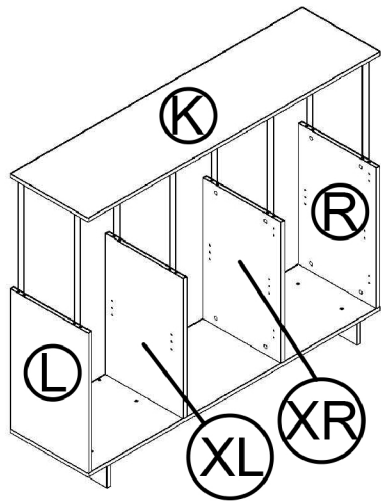
11



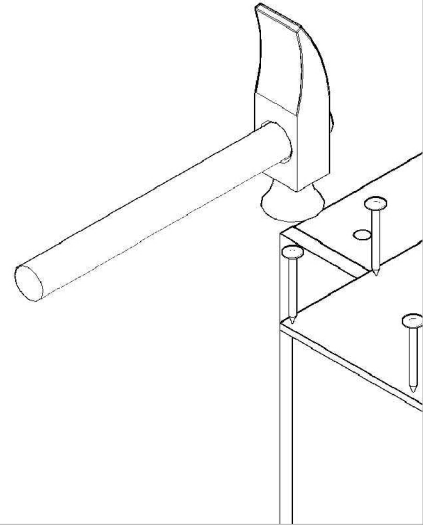
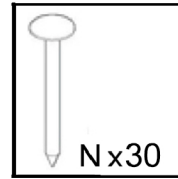
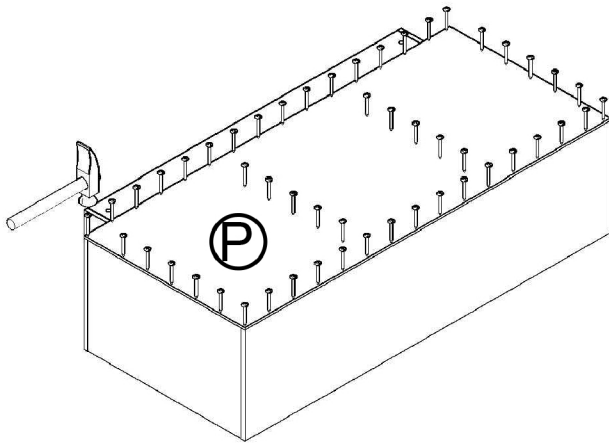
12



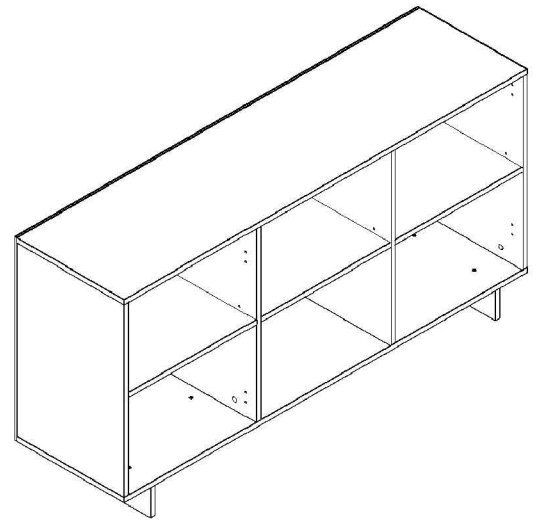
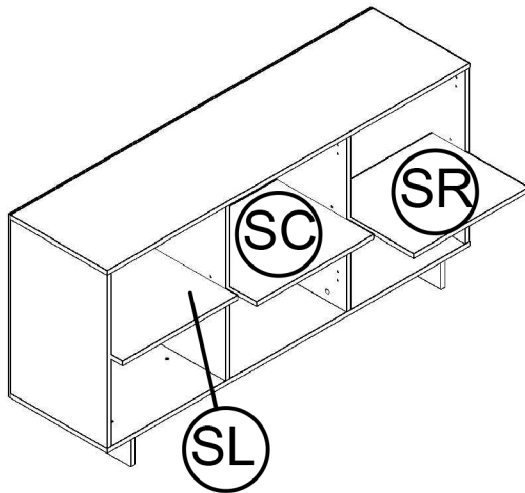
13



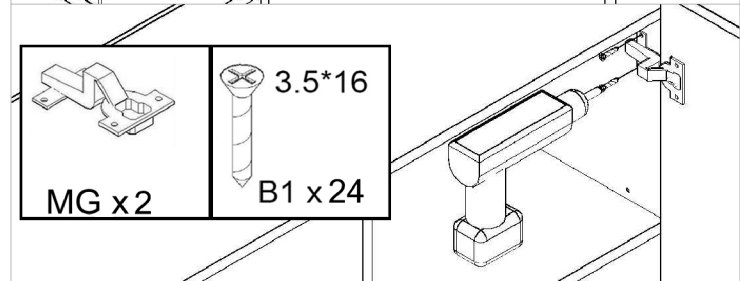
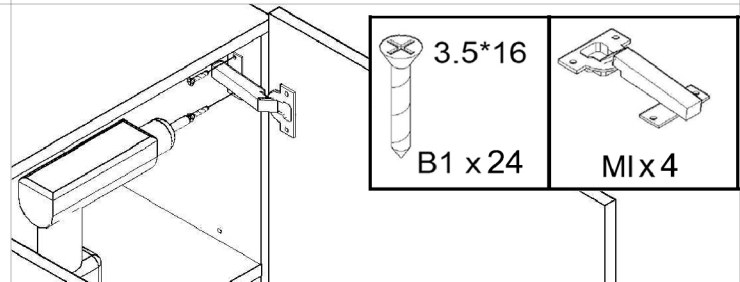
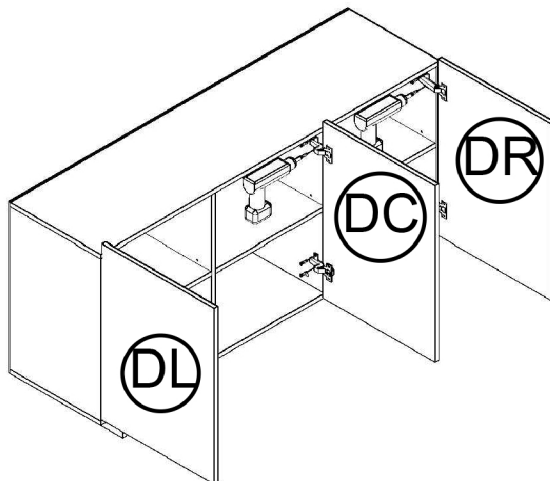
14

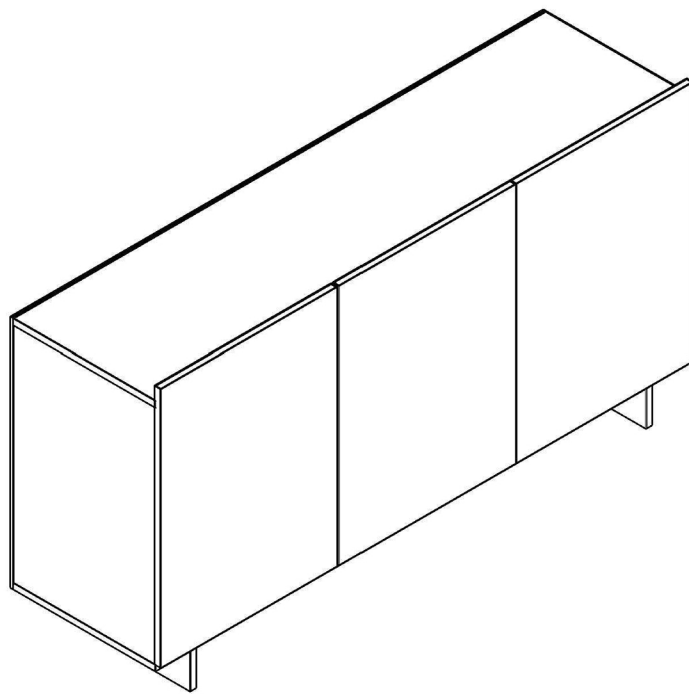


15



16





PLASTIC COVER CAPS FOR SCREWS

