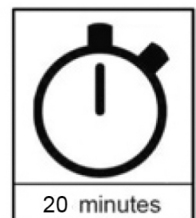
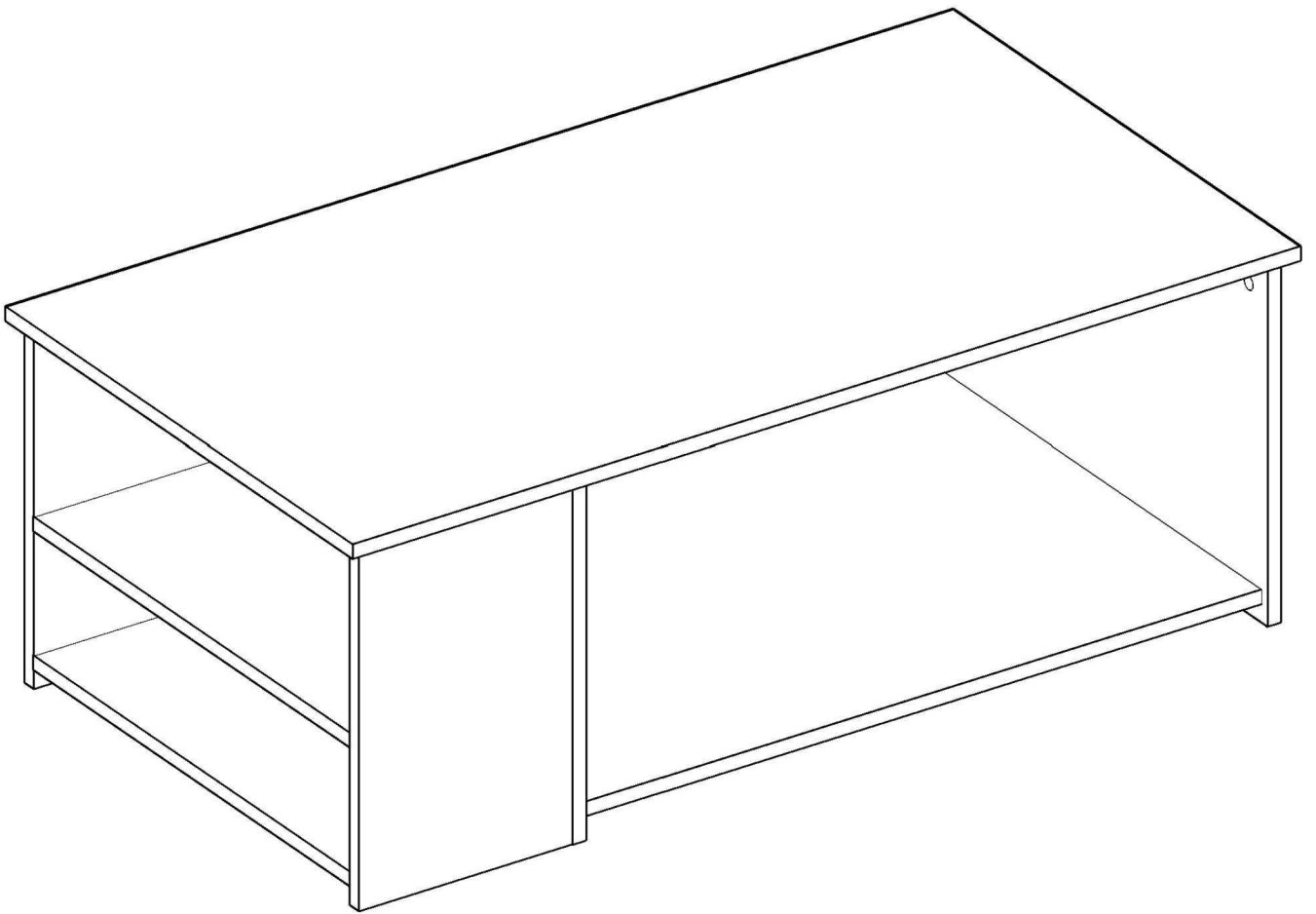
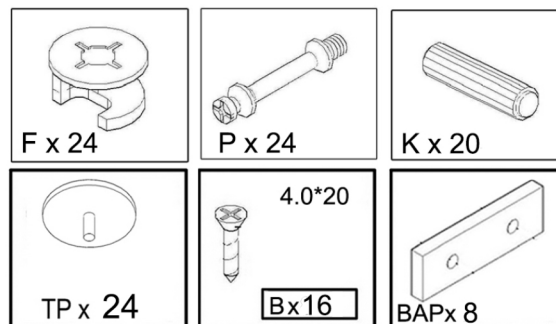
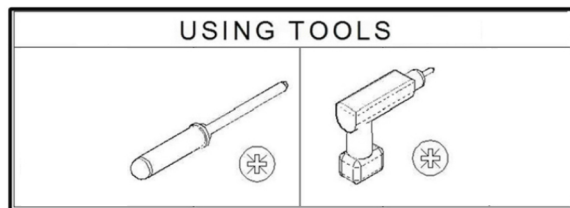
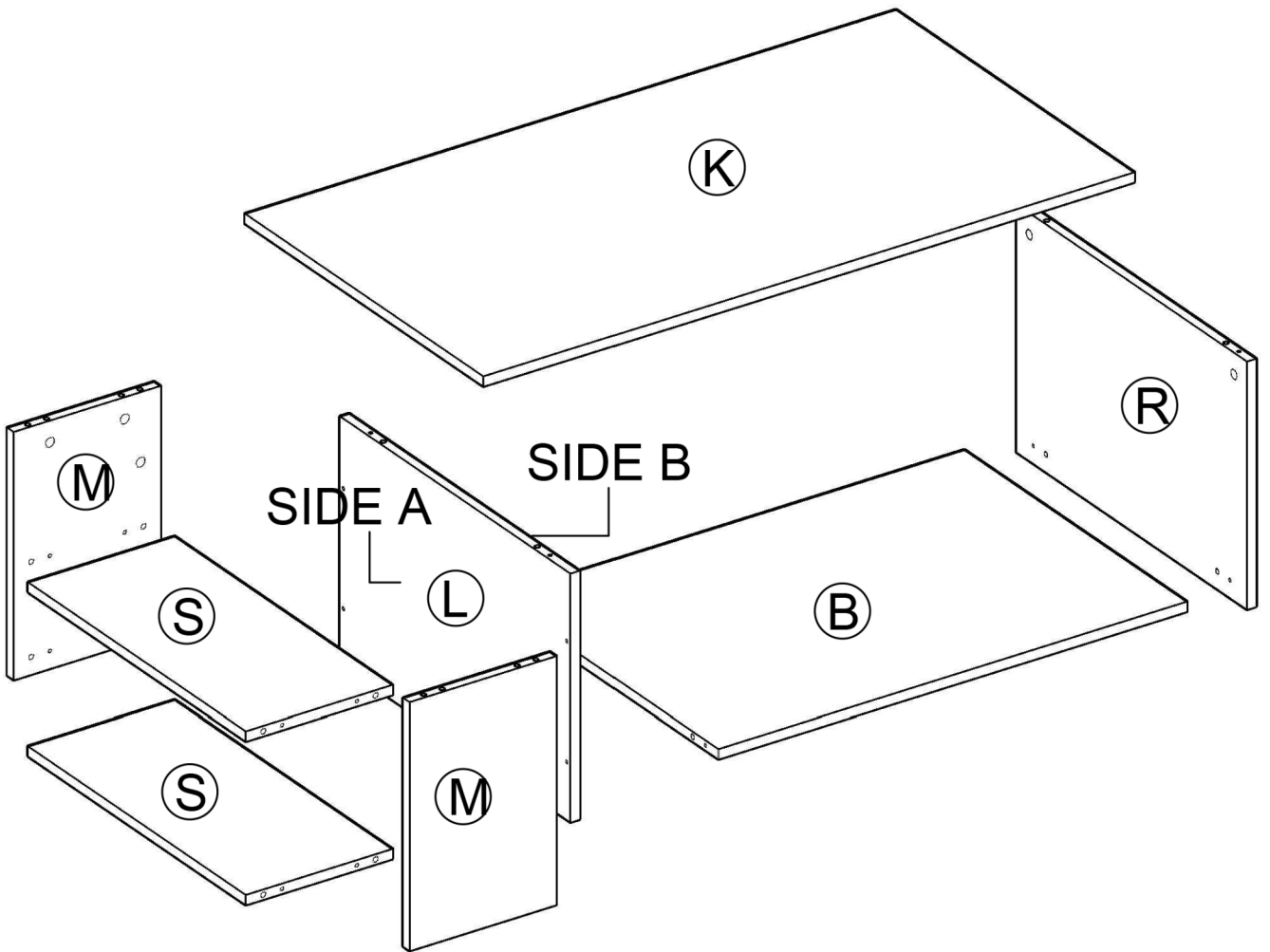
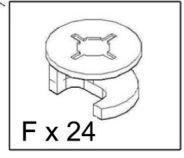
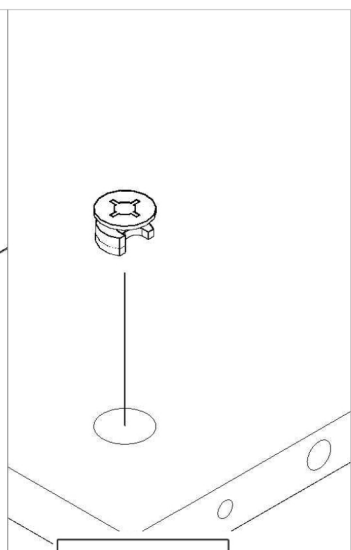
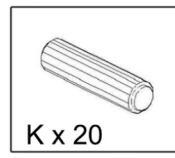
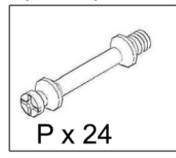
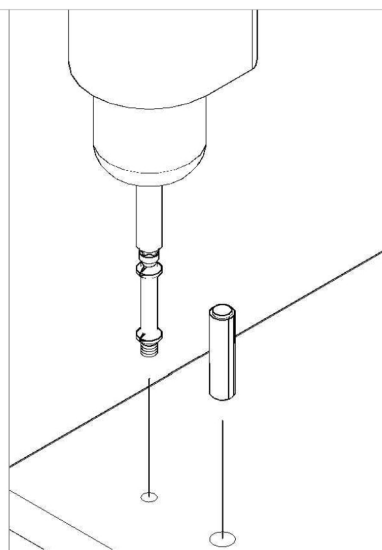
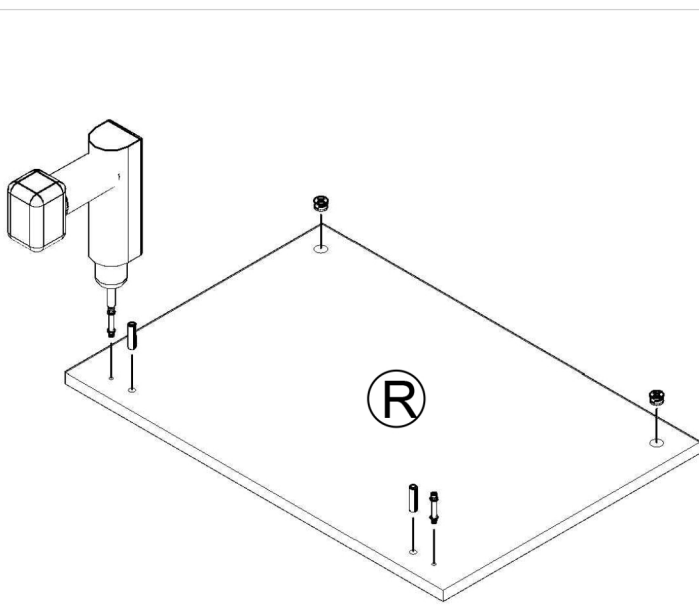


GRK101

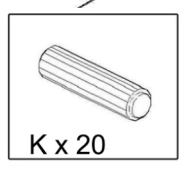
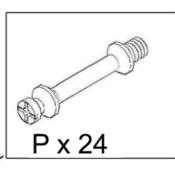
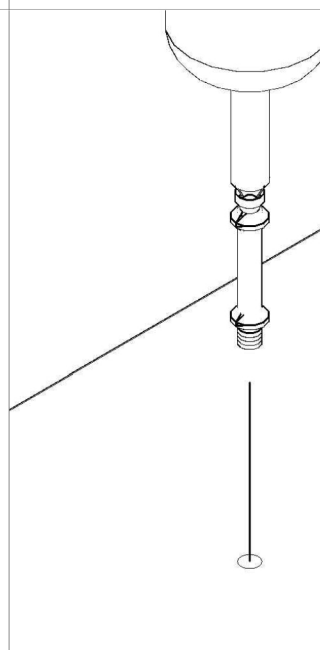
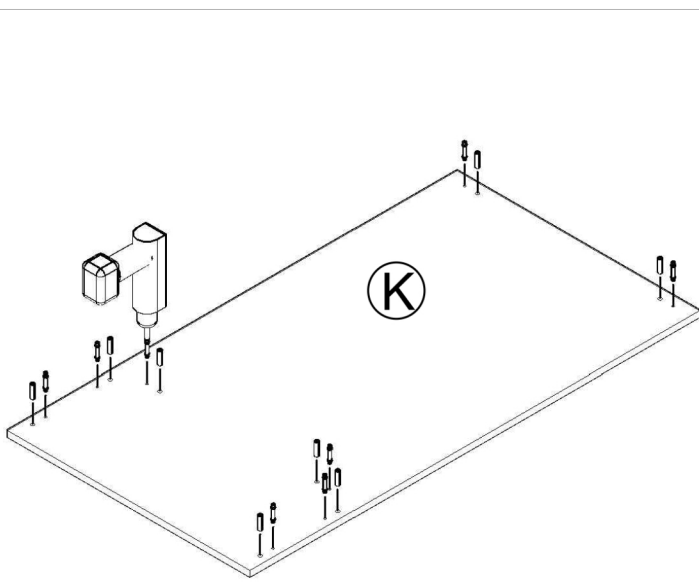




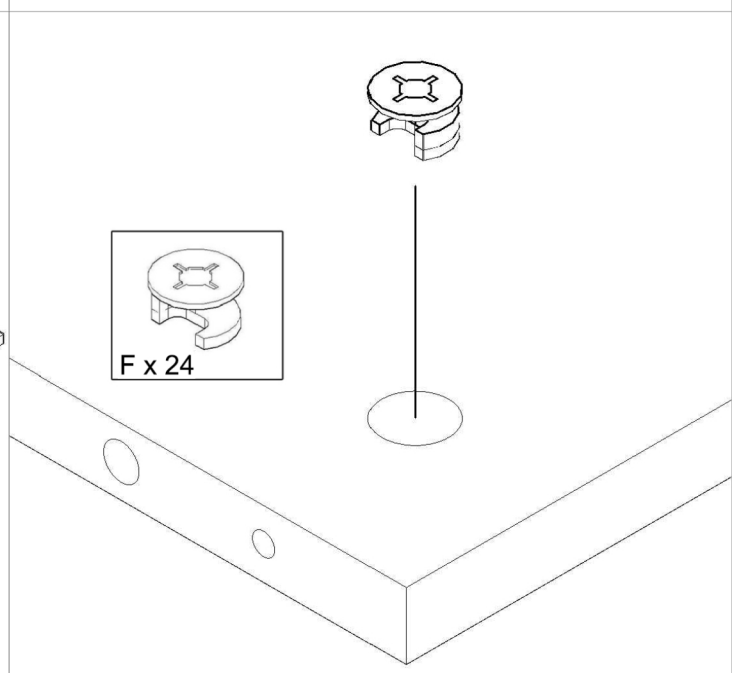
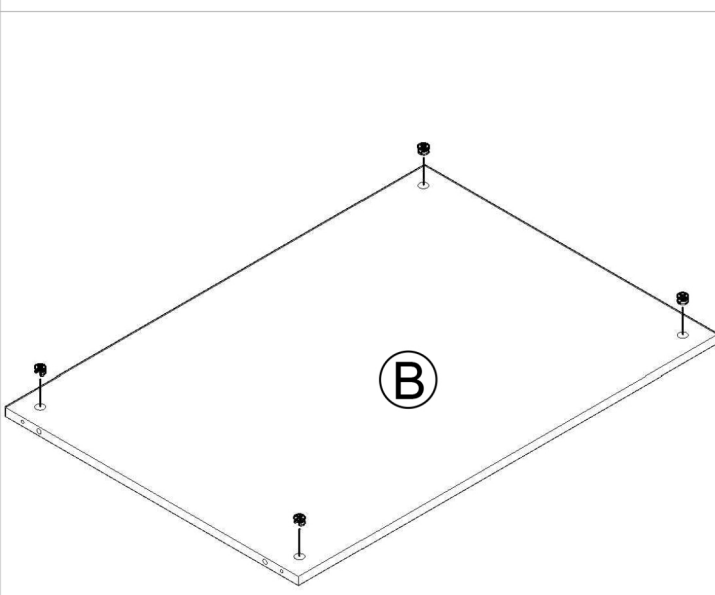
1



2

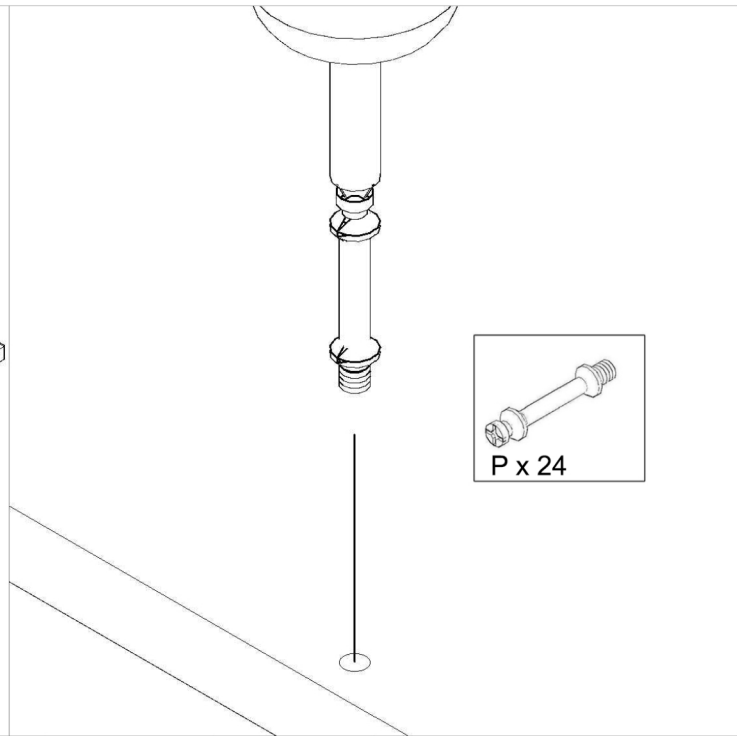
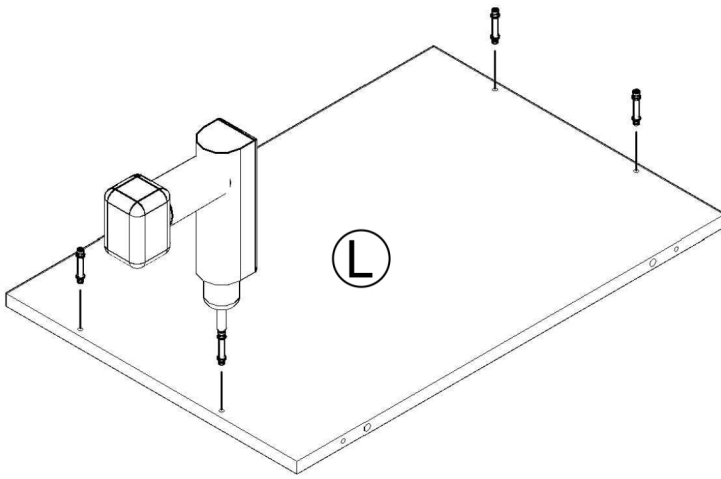


3



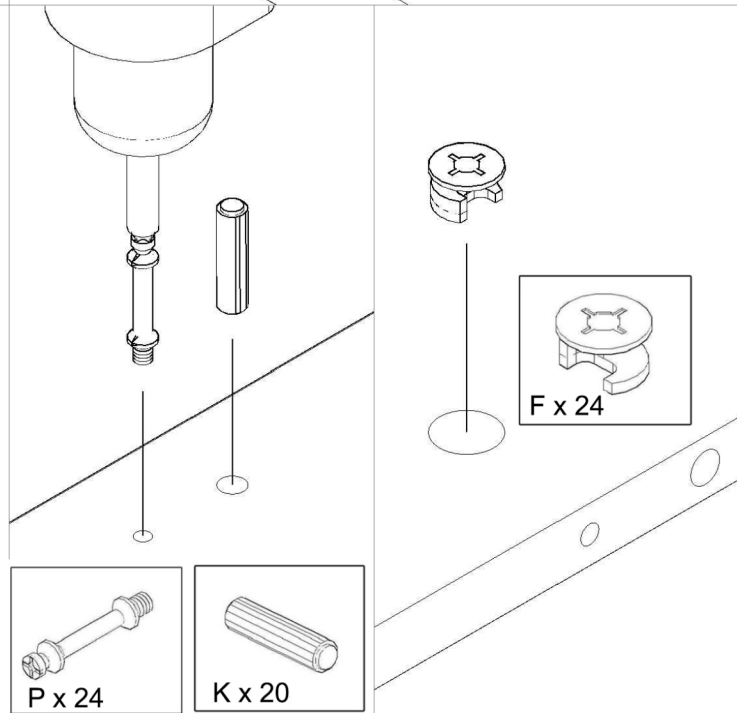
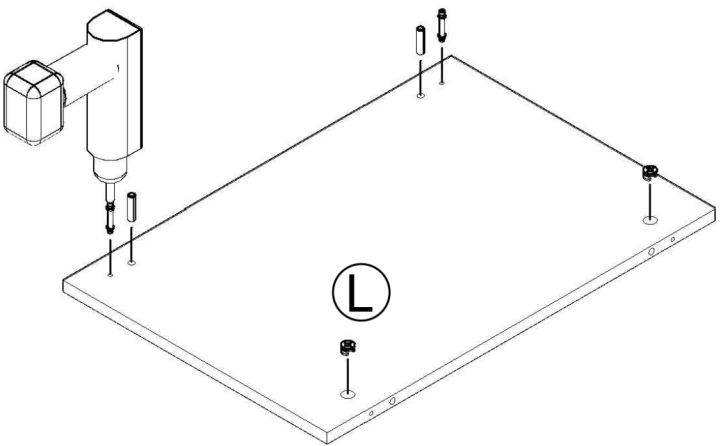
4

SIDE A



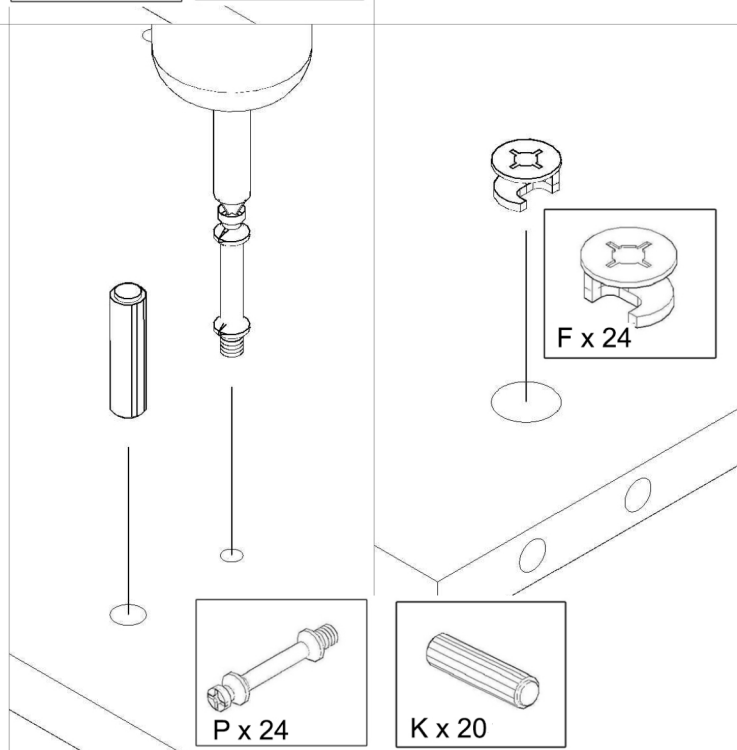
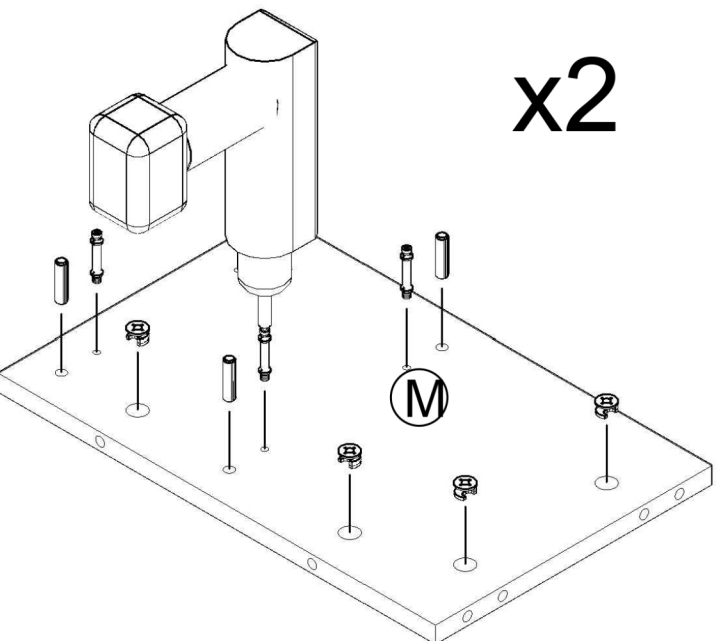
5

SIDE B

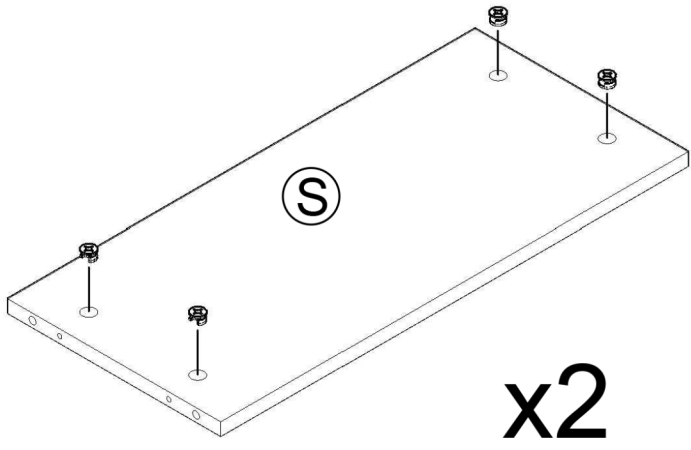


6

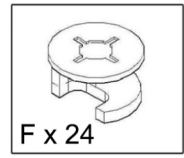
x2



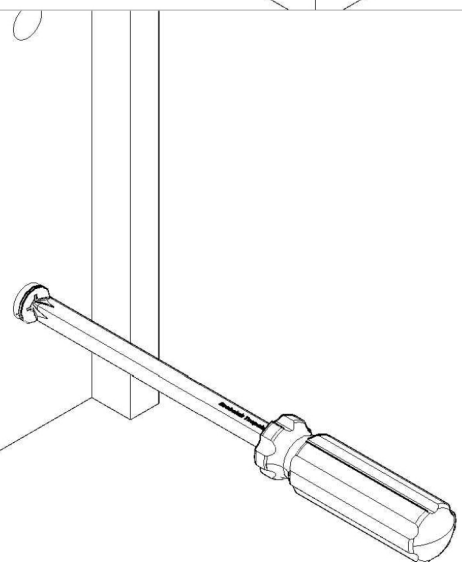
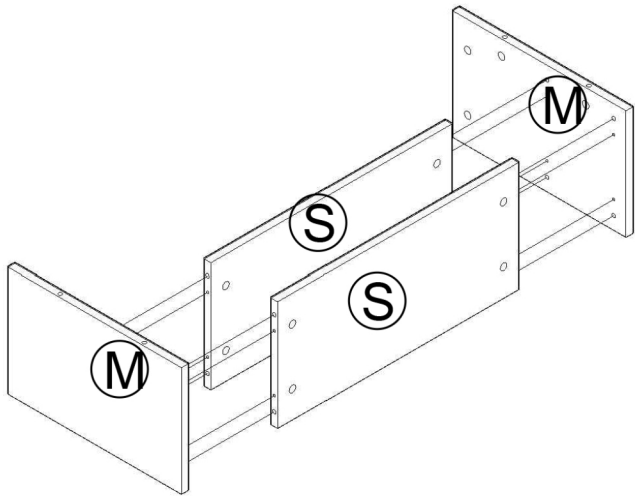
7



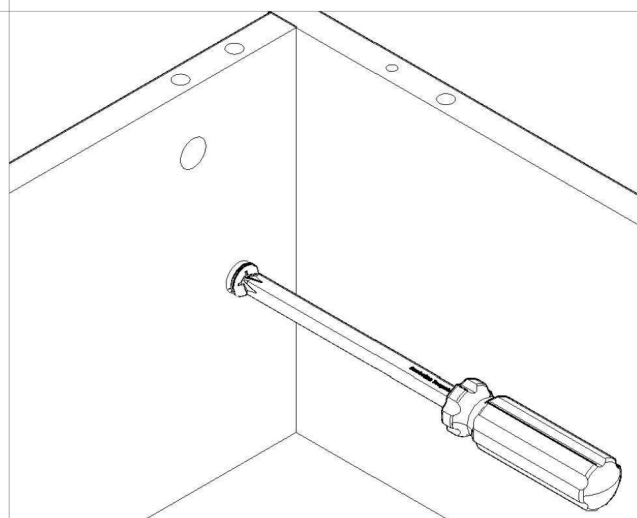
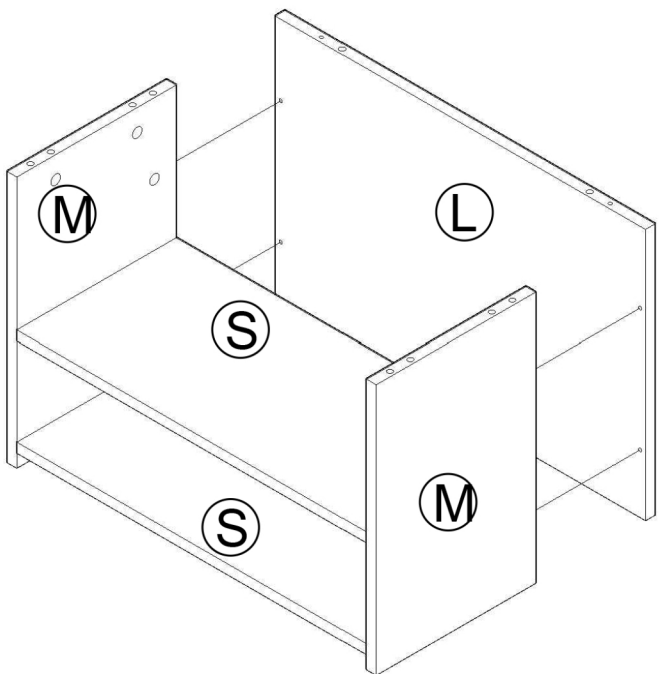
x2



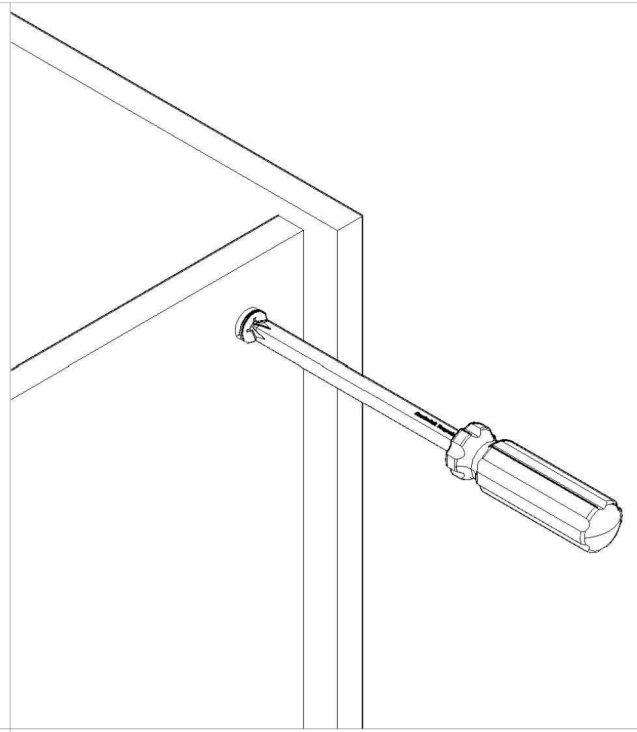
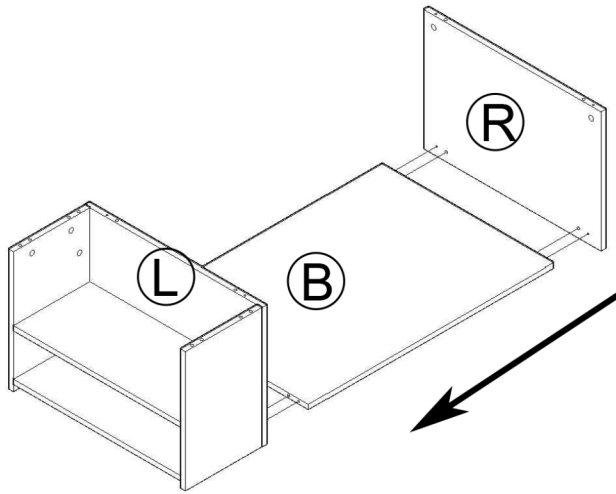
8



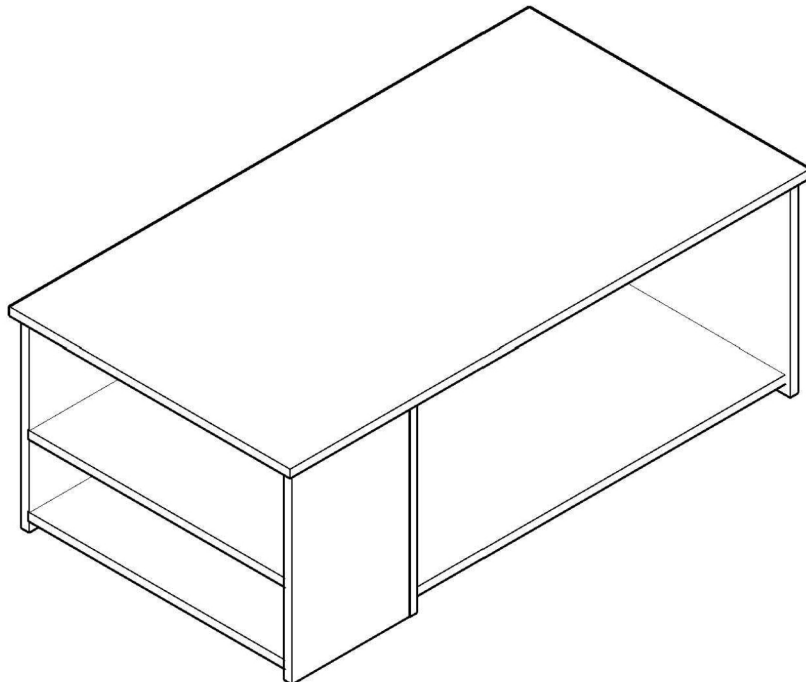
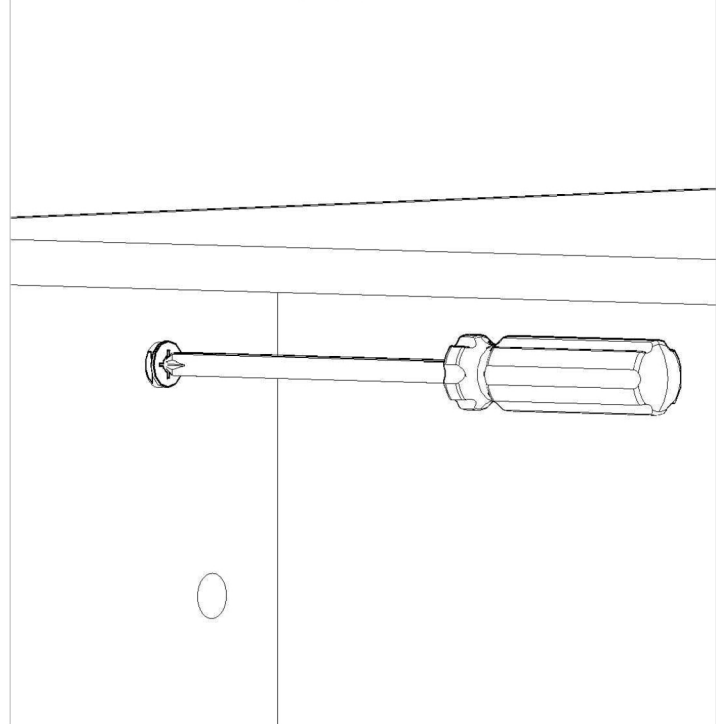
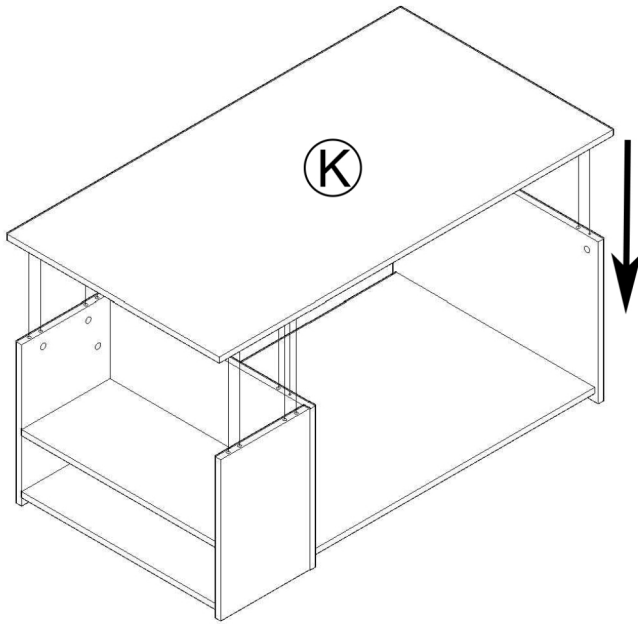
9



10



11



PLASTIC COVER CAPS FOR SCREWS

