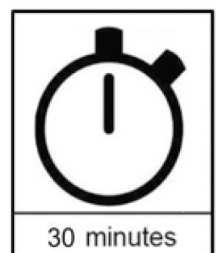
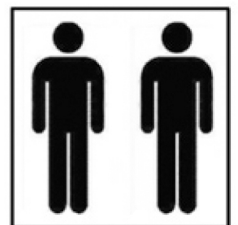
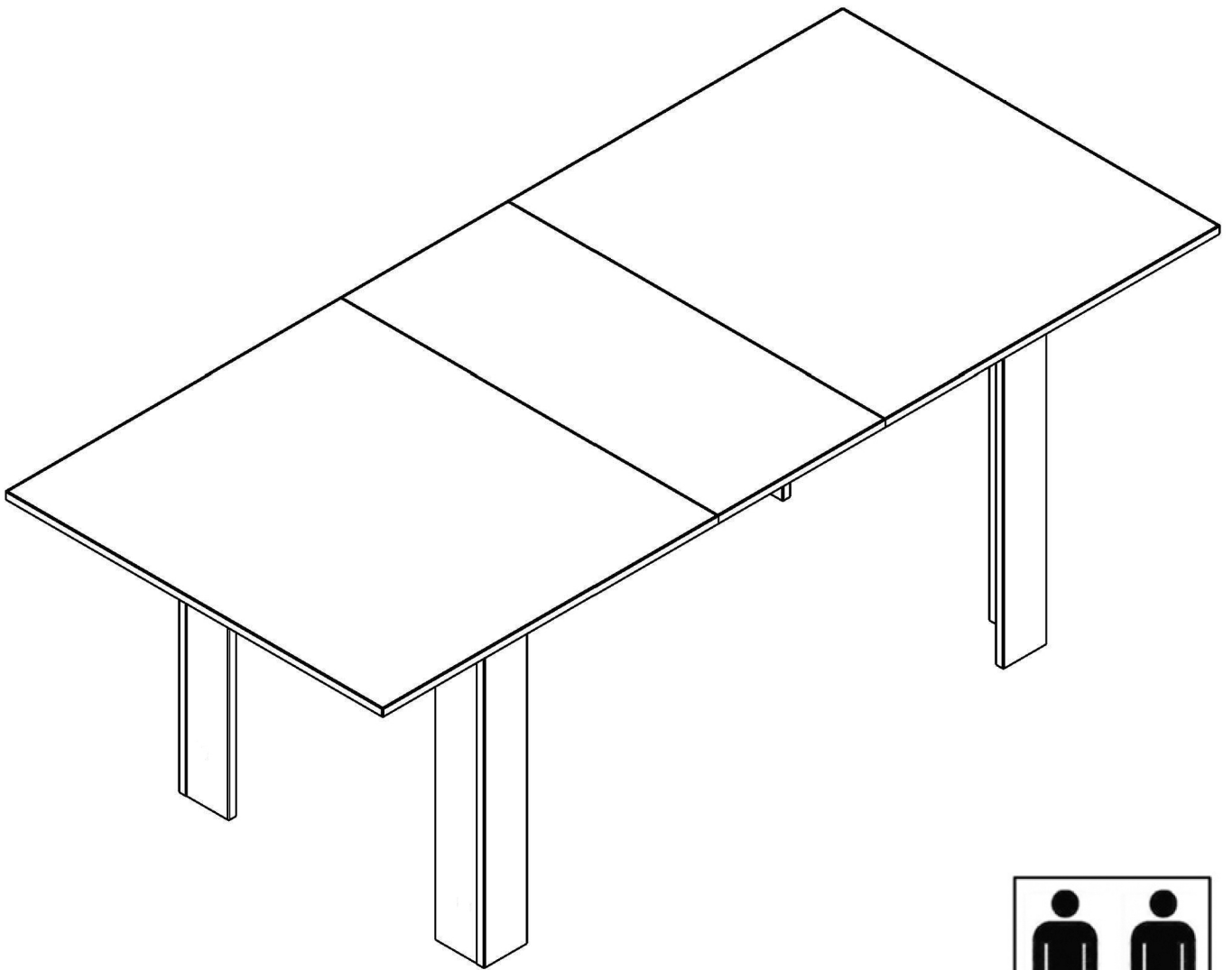
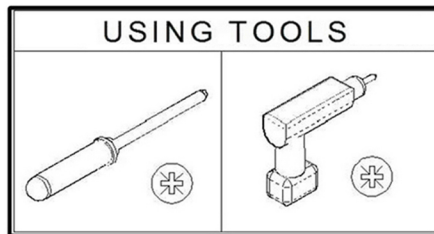
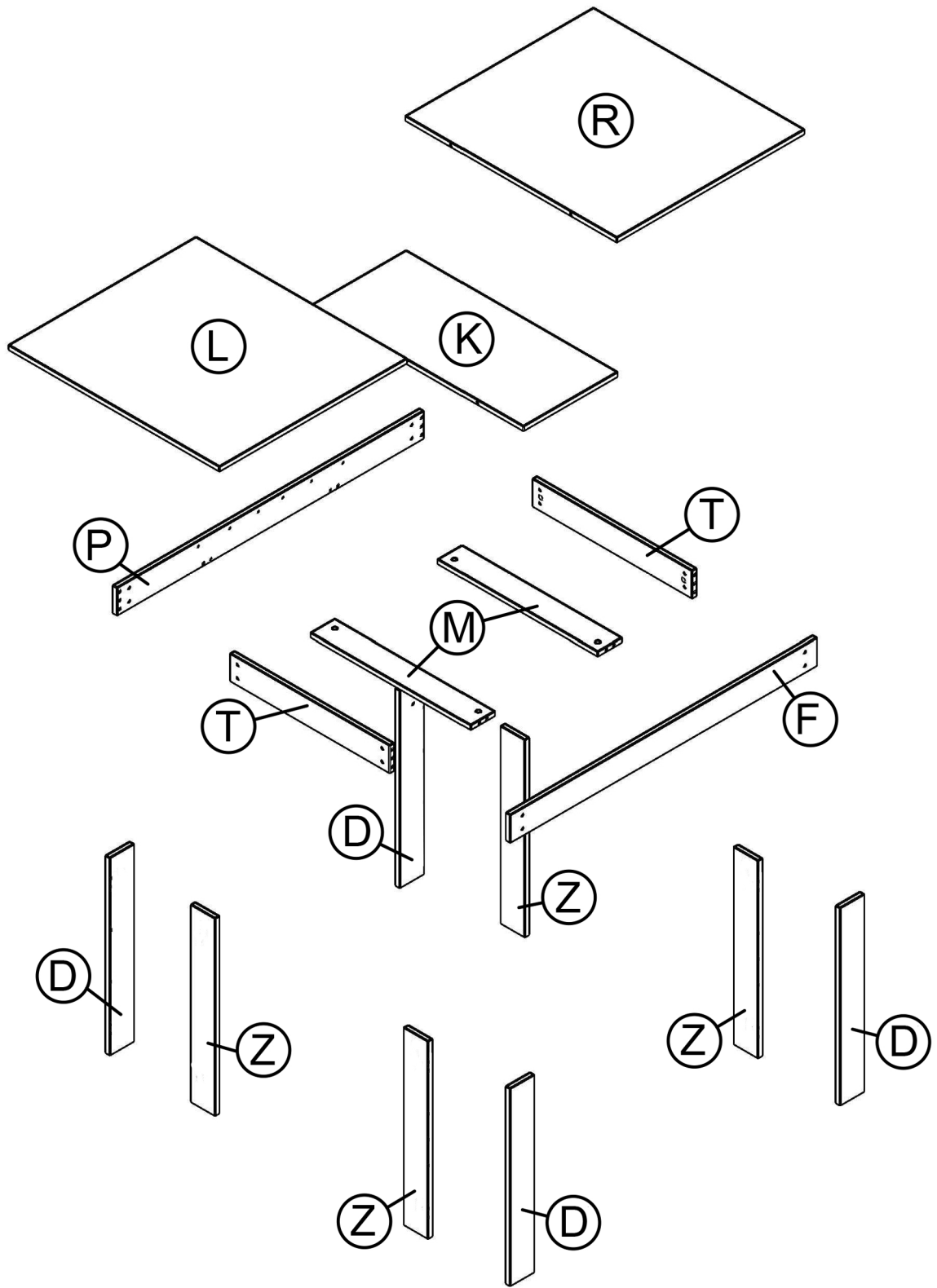




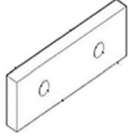

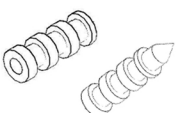
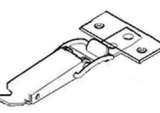


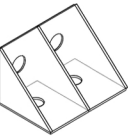


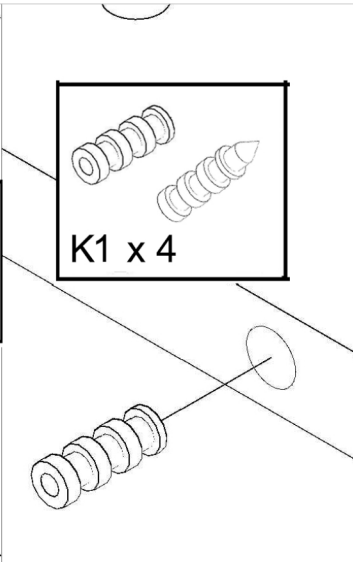
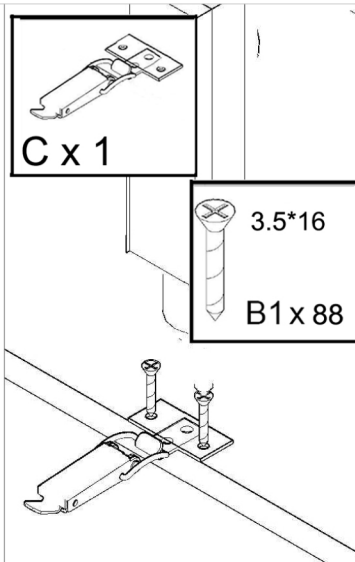
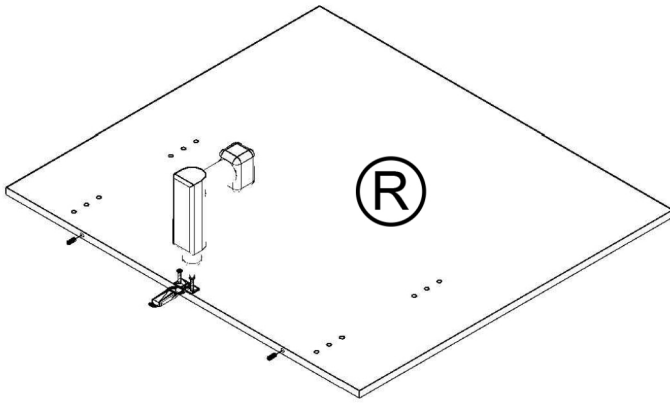
GRK110



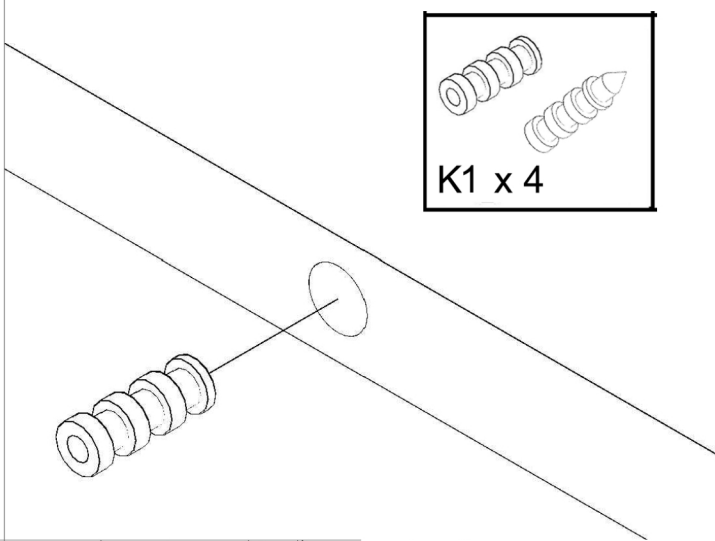
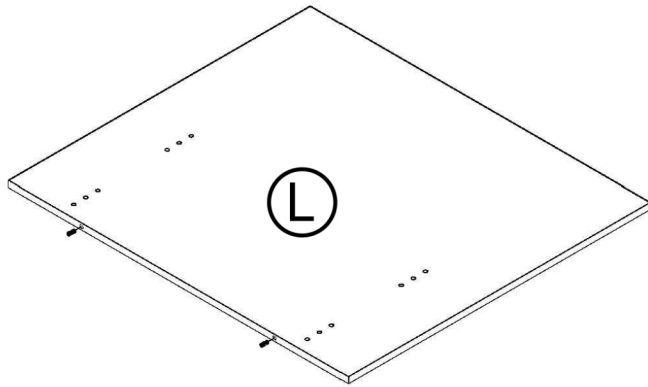


 P x 8	 K x 12	 F x 8	 4.0*25	 BAP x 8	
 B1 x 88	 K1 x 4	 C x 1	 S x 2	 4.0*20	 G x 12

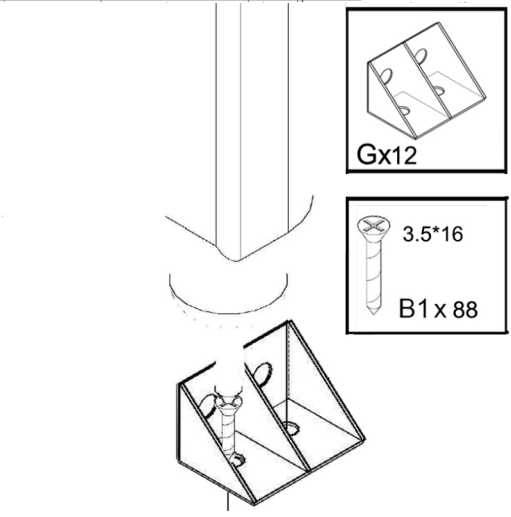
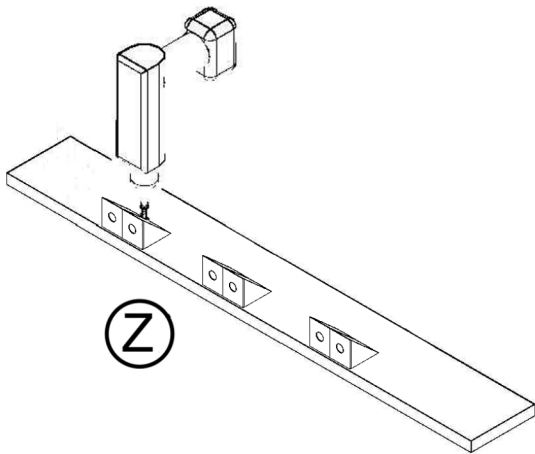
1



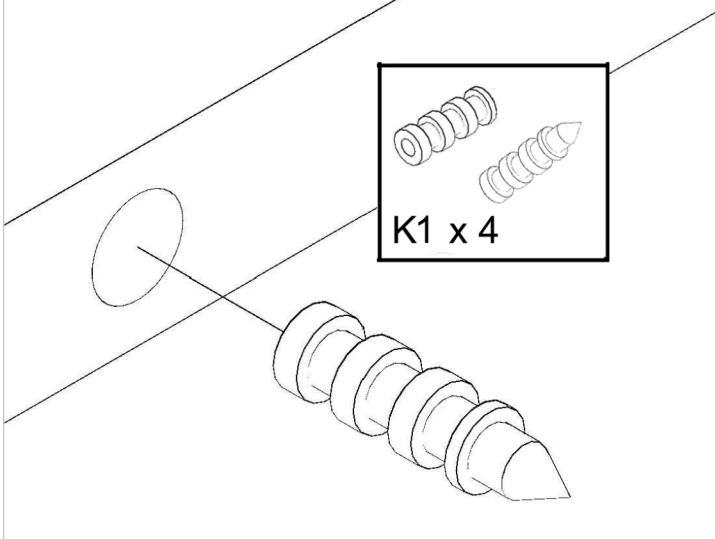
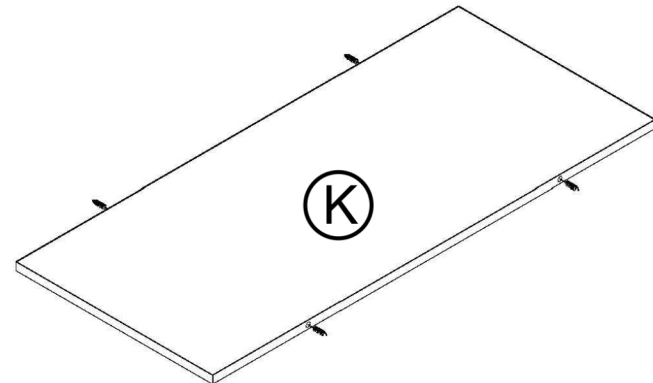
2



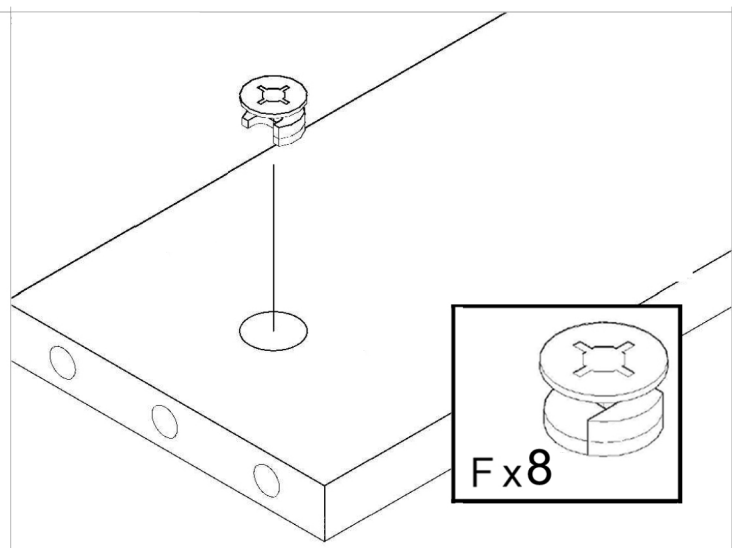
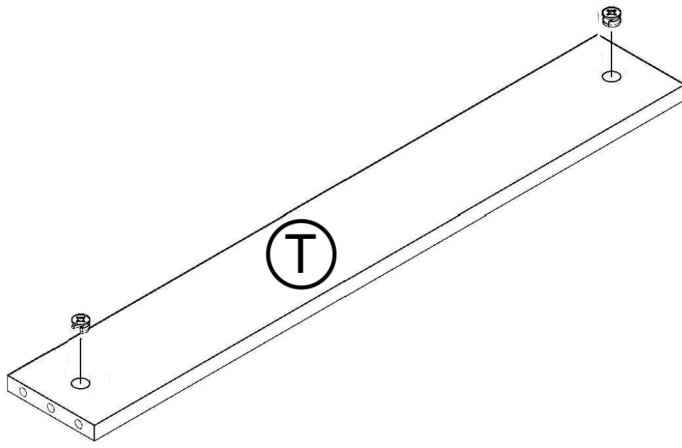
3



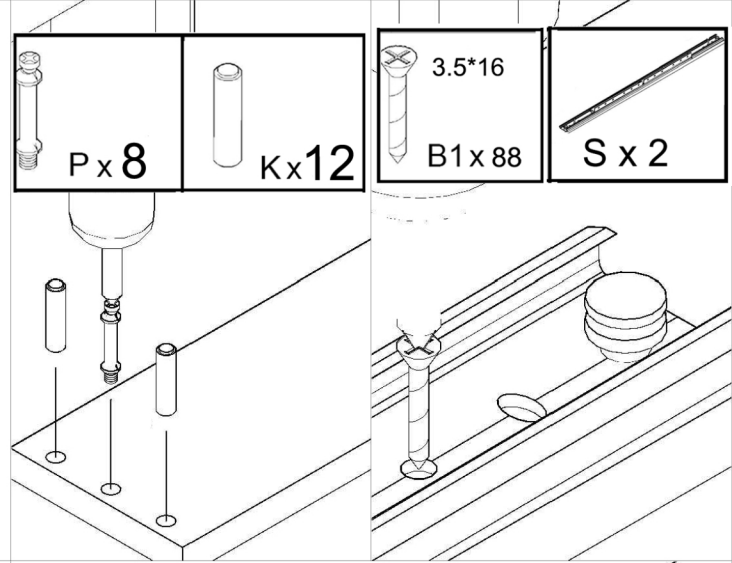
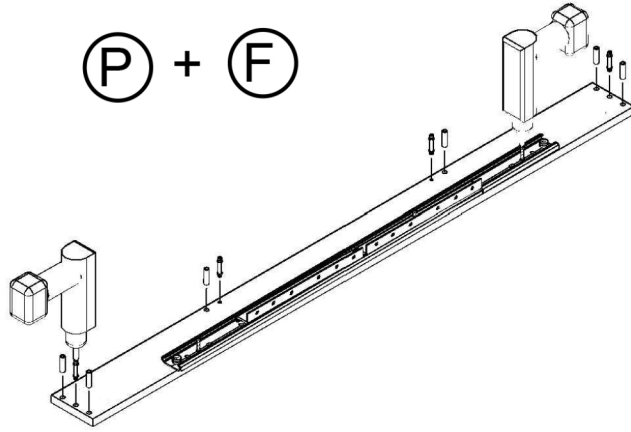
4



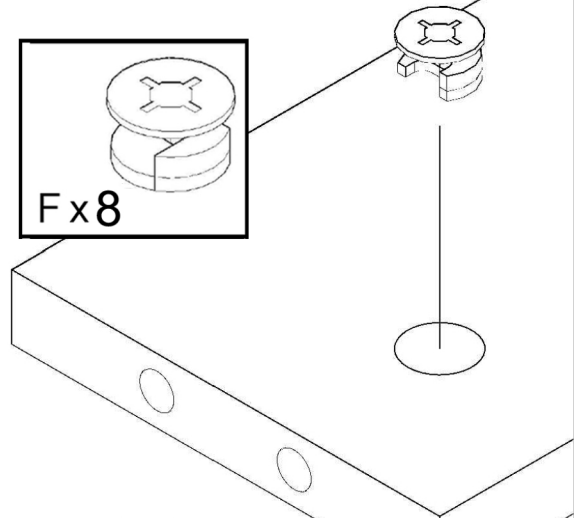
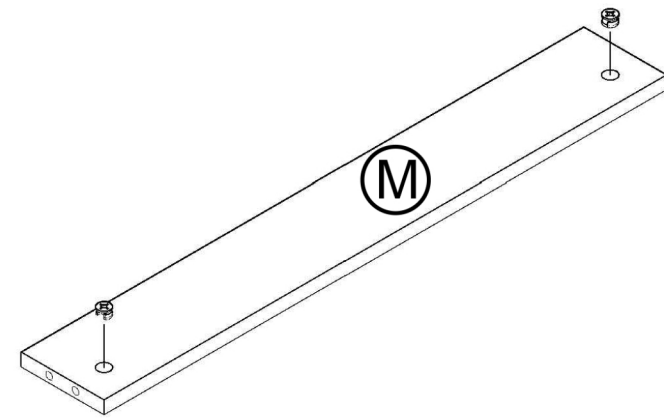
5



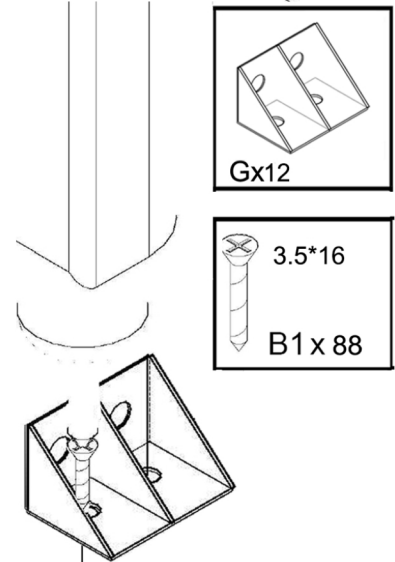
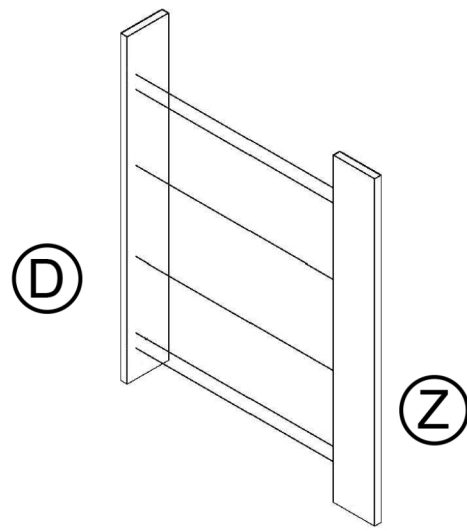
6



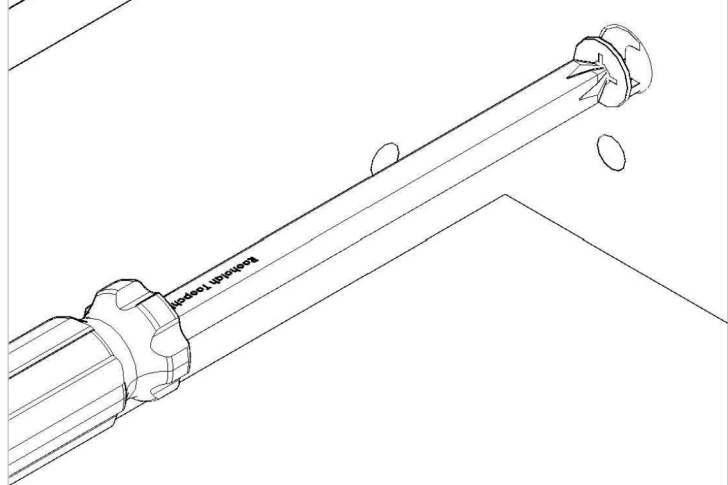
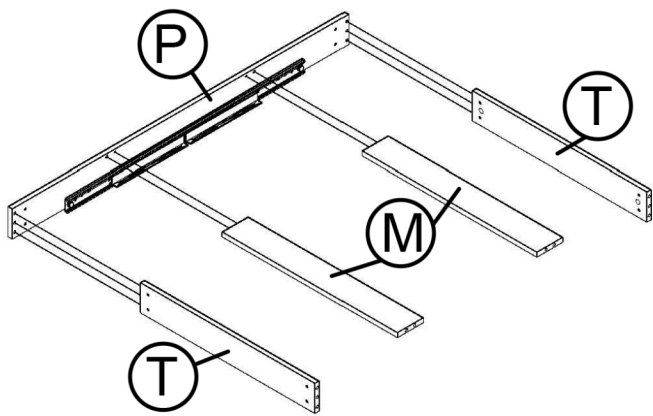
7



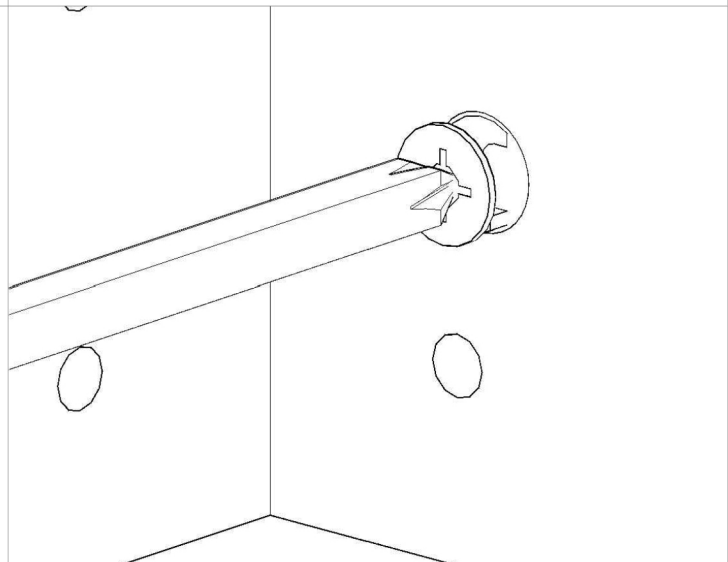
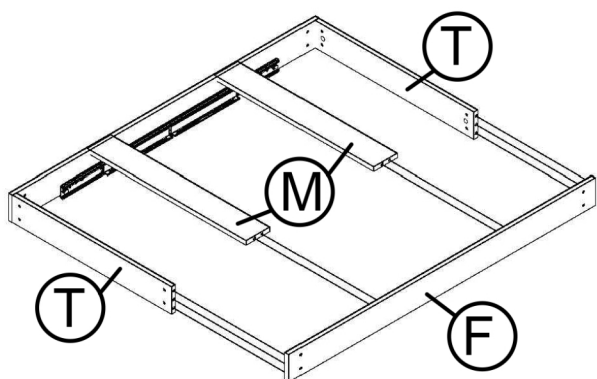
8



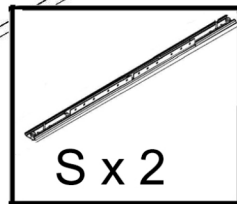
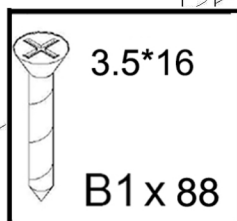
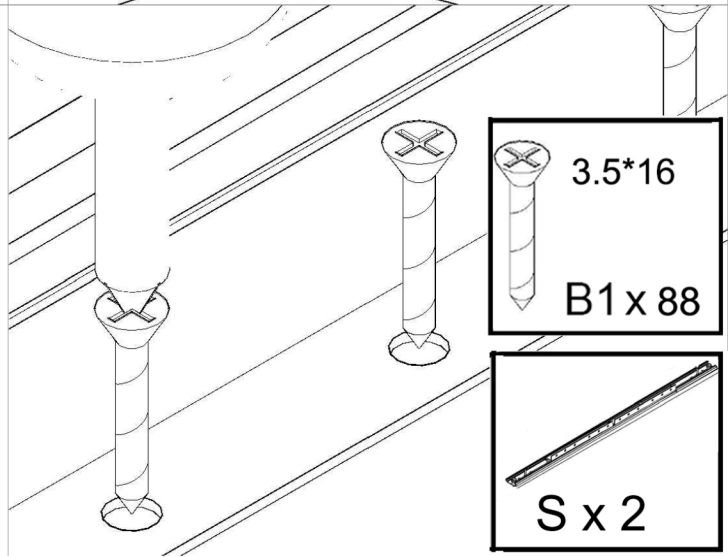
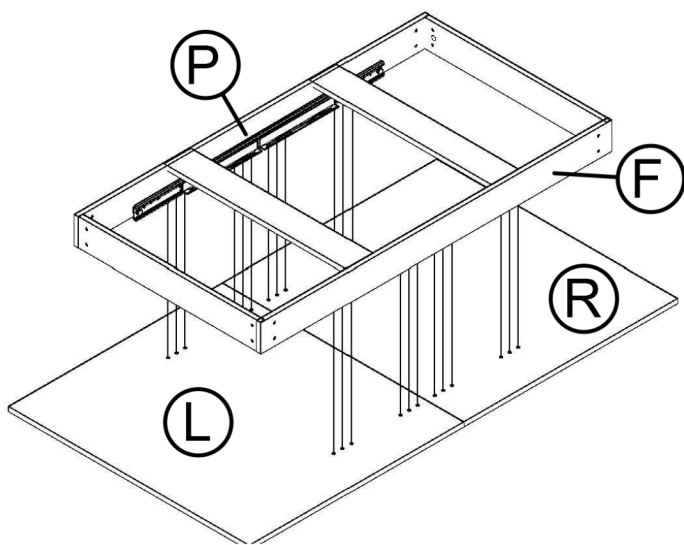
9



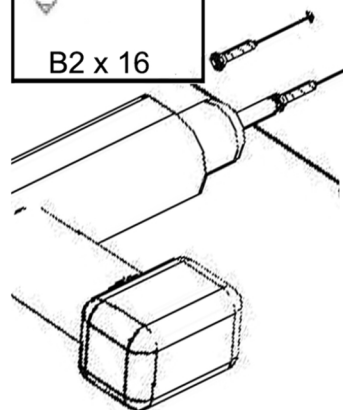
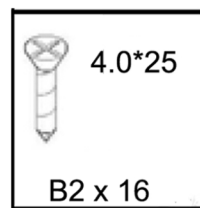
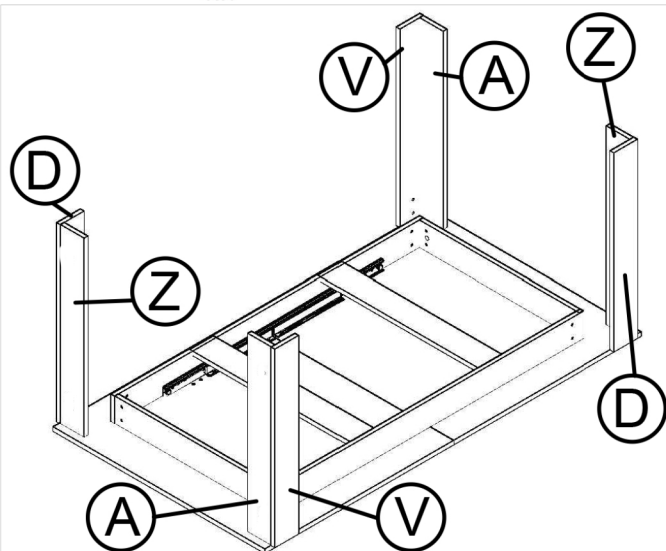
10



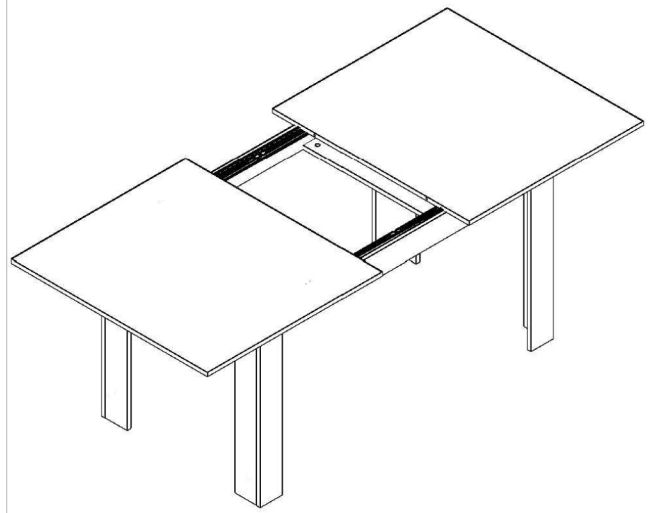
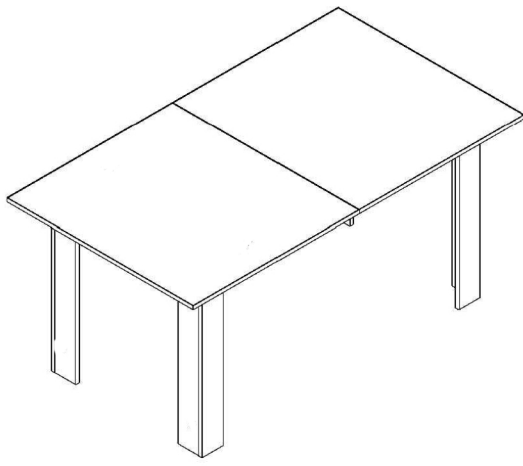
11



12



13



14

