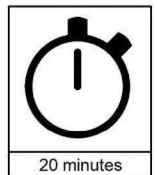
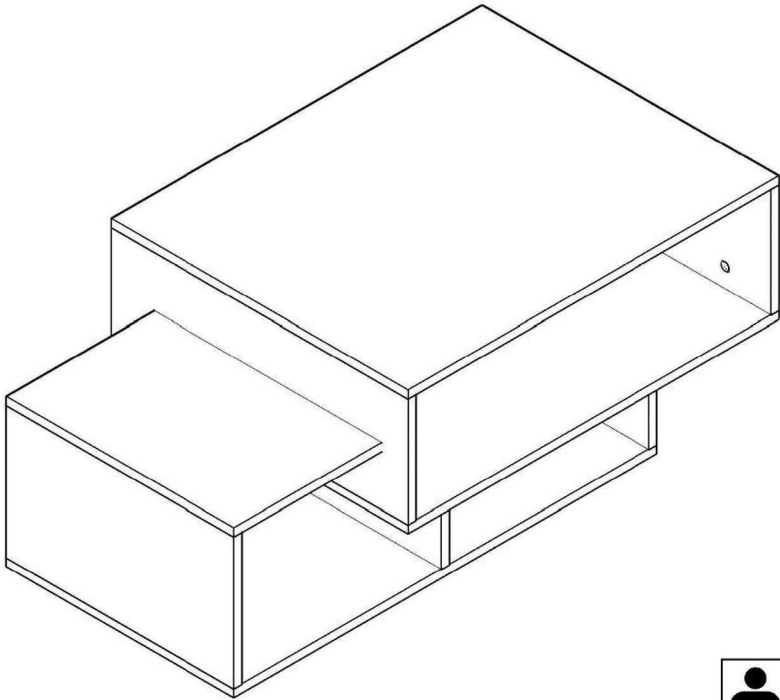
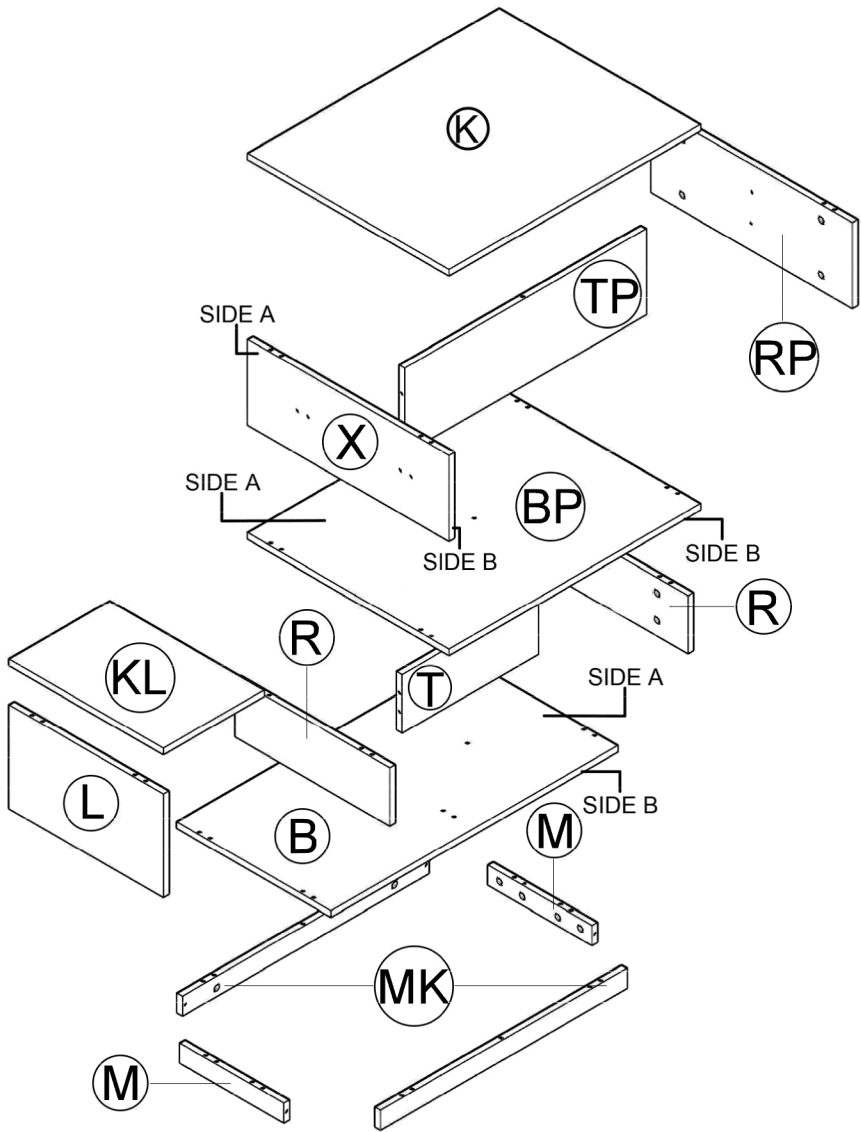
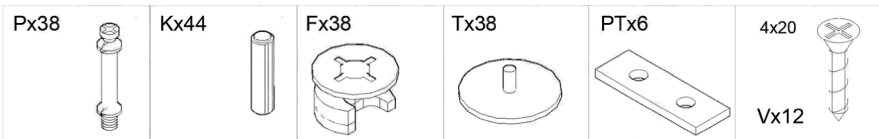
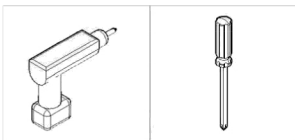


GRK119



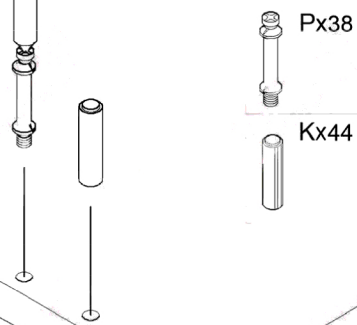
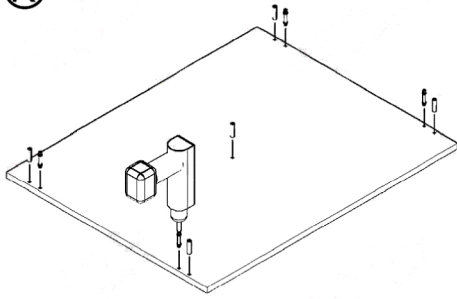


USING TOOLS



1

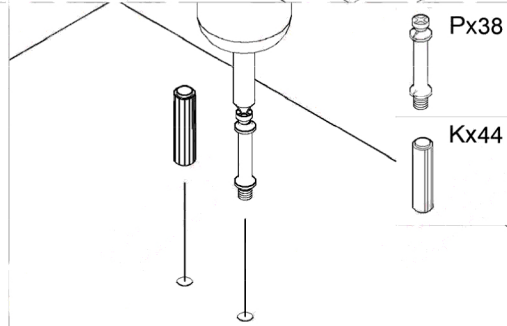
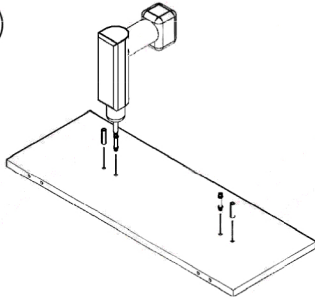
(K)



Px38
Kx44

2

(X)

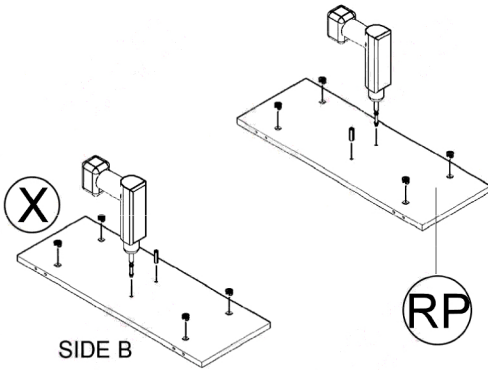


Px38
Kx44

SIDE A

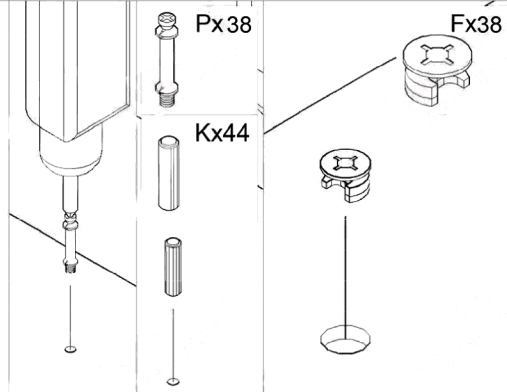
3

(X)



SIDE B

(RP)



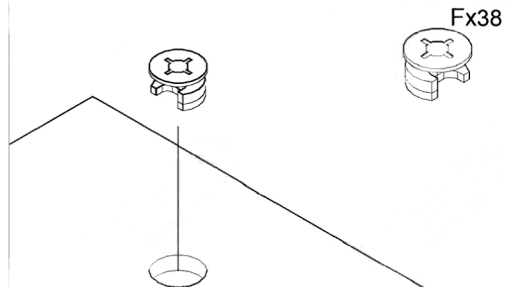
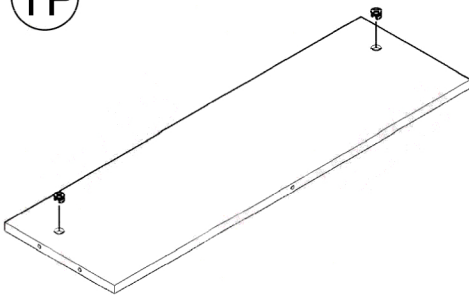
Px38

Kx44

Fx38

4

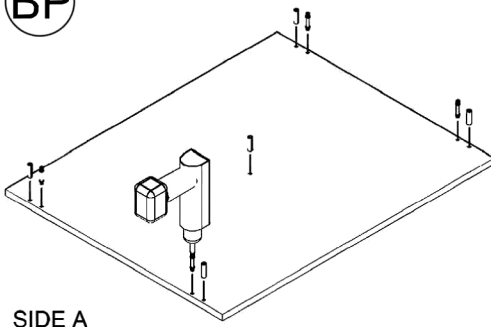
(TP)



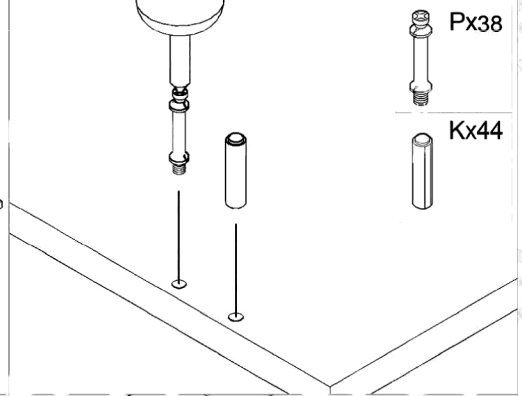
Fx38

5

BP

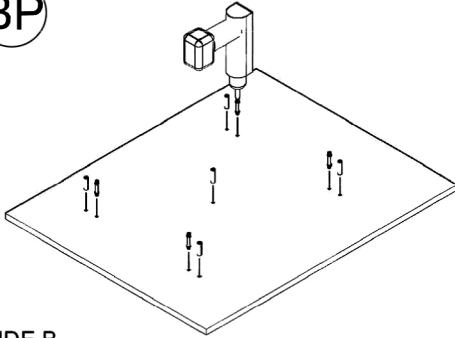


SIDE A

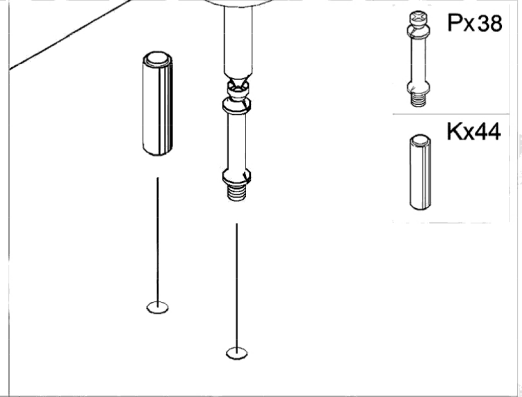


6

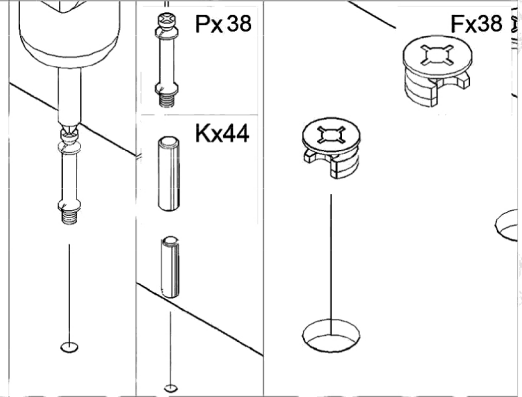
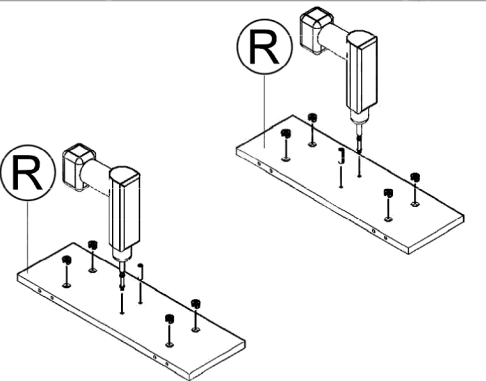
BP



SIDE B

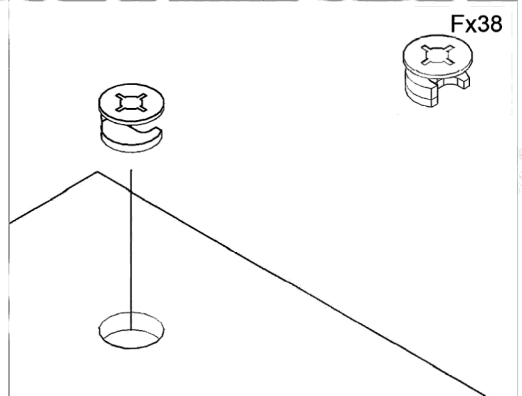
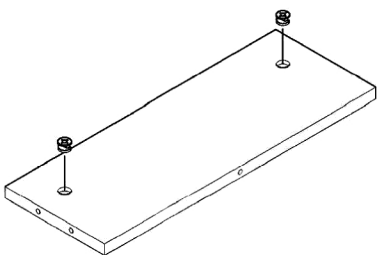


7

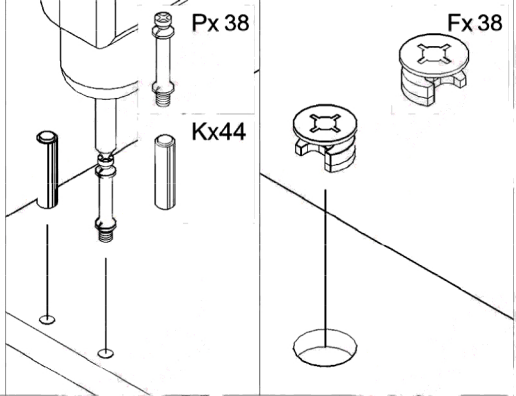
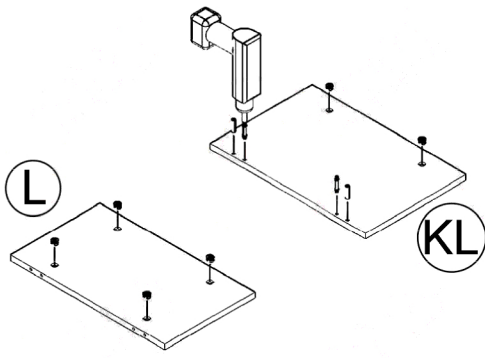


8

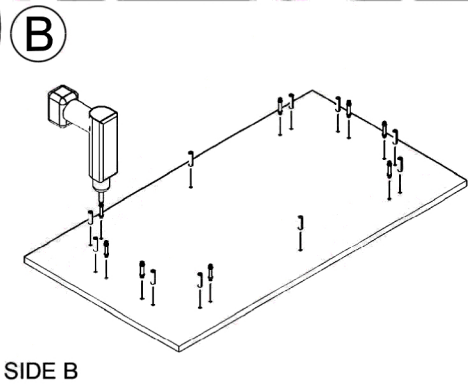
T



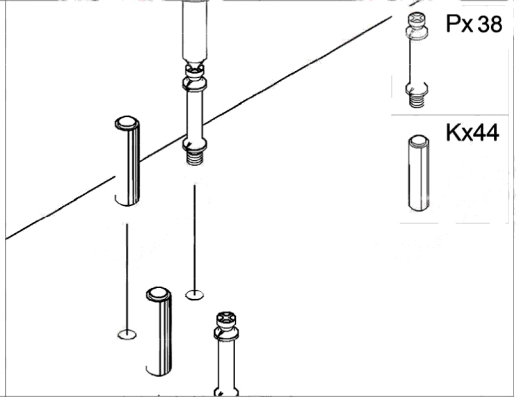
9



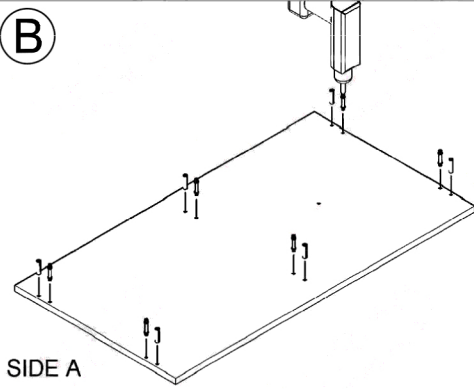
10



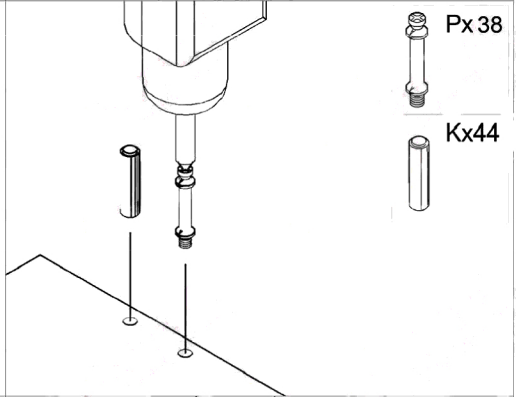
SIDE B



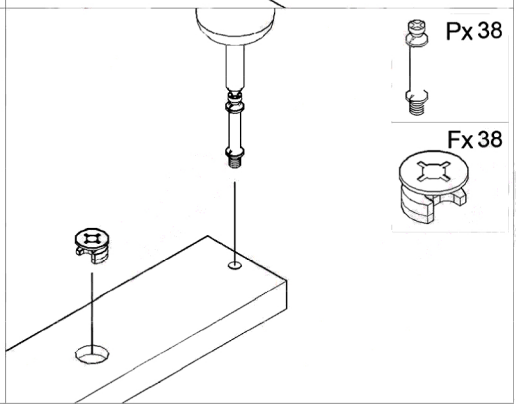
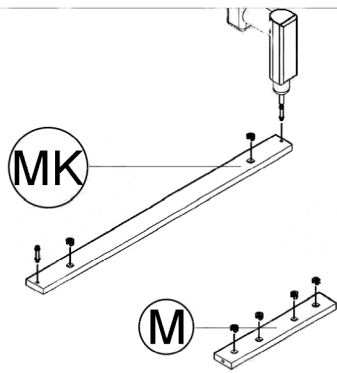
11



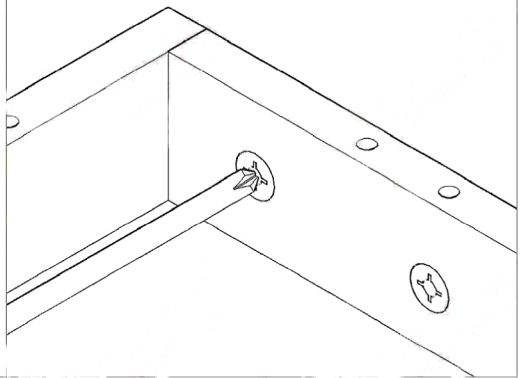
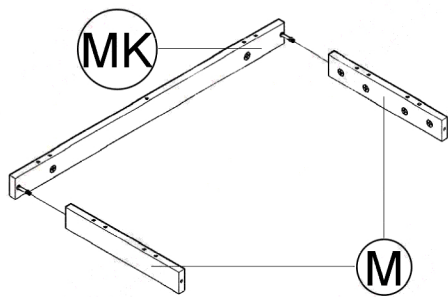
SIDE A



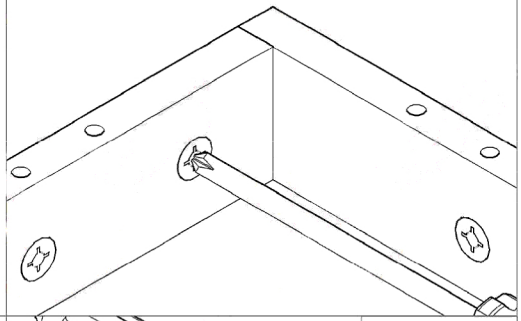
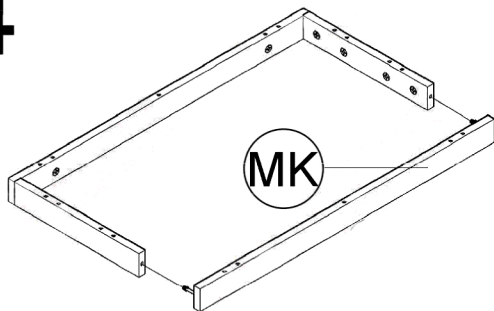
12



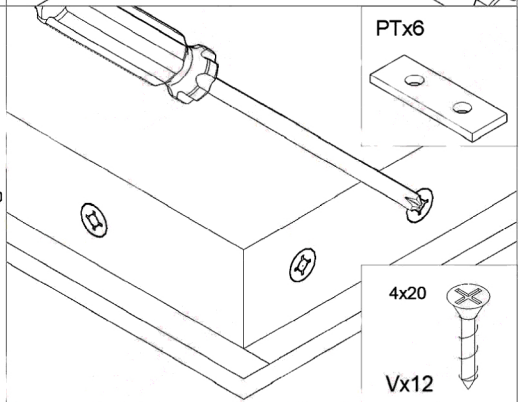
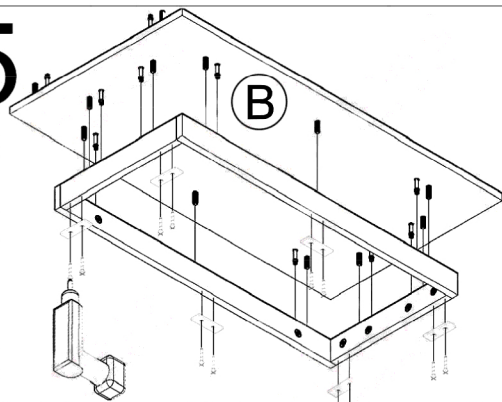
13



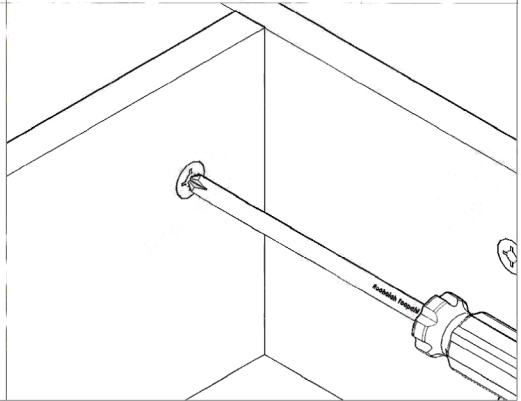
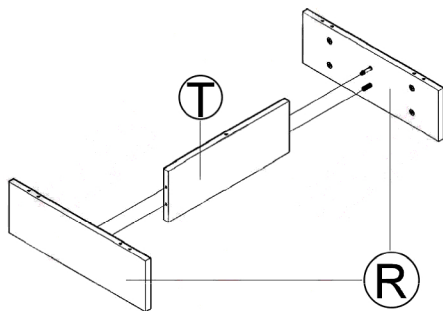
14



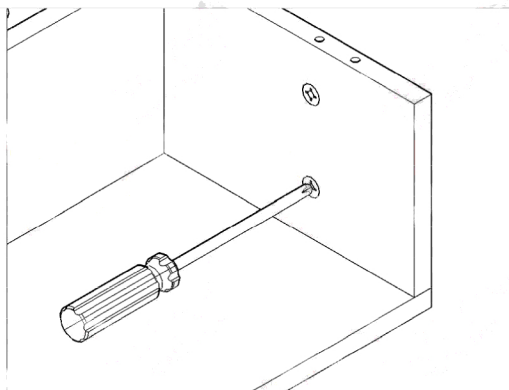
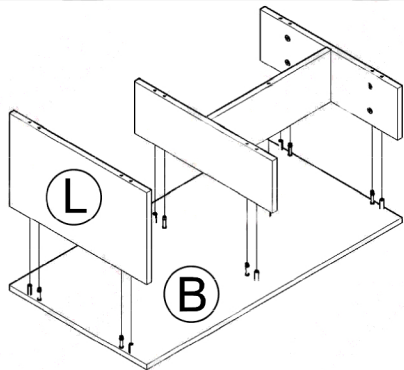
15



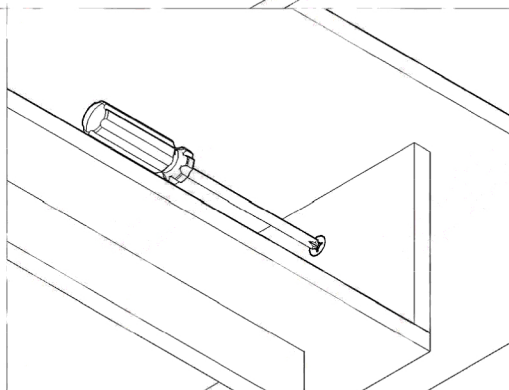
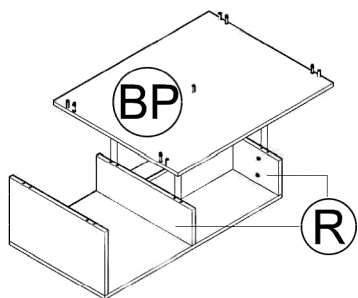
16



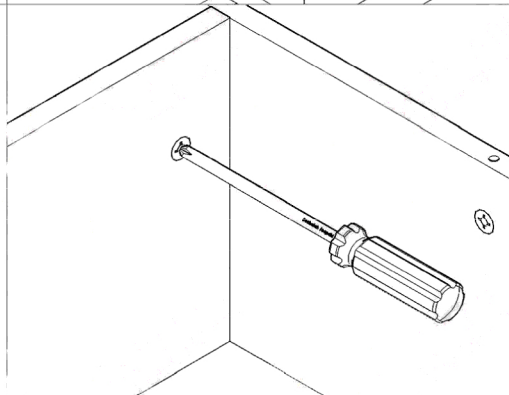
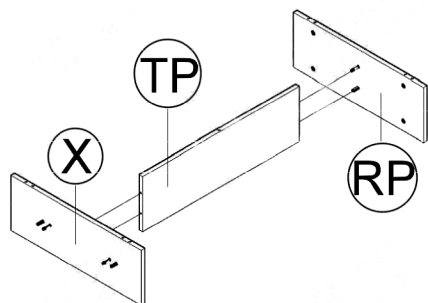
17



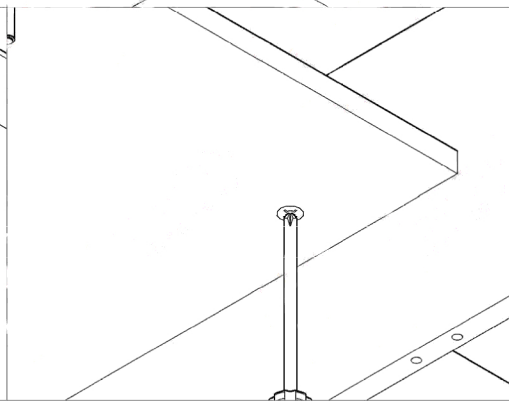
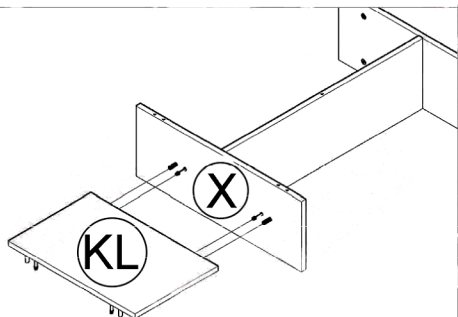
18



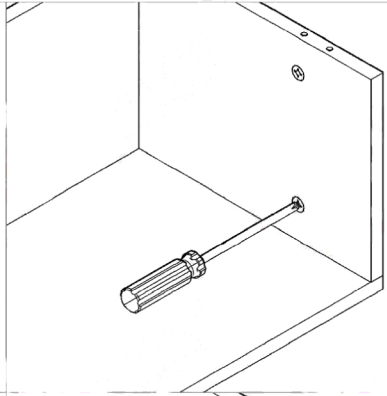
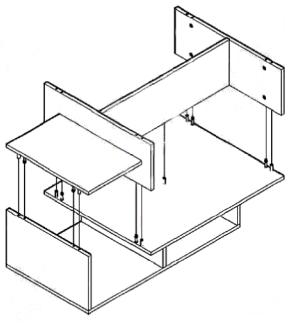
19



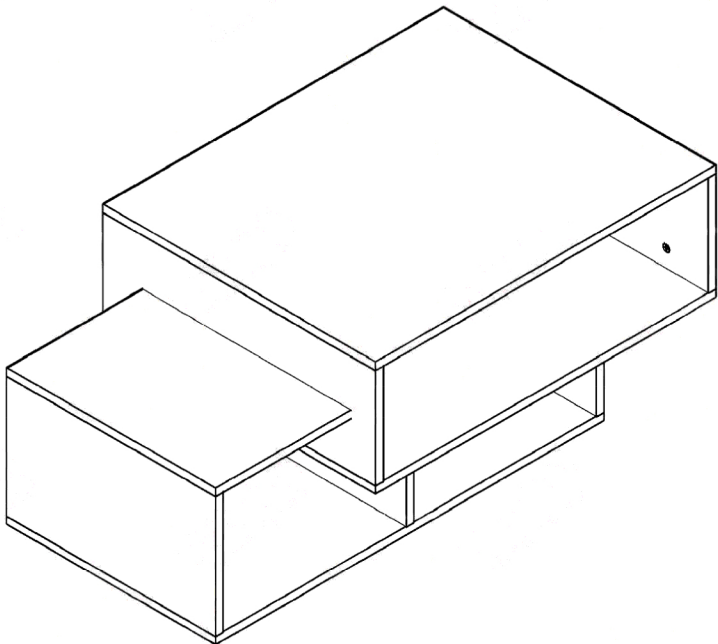
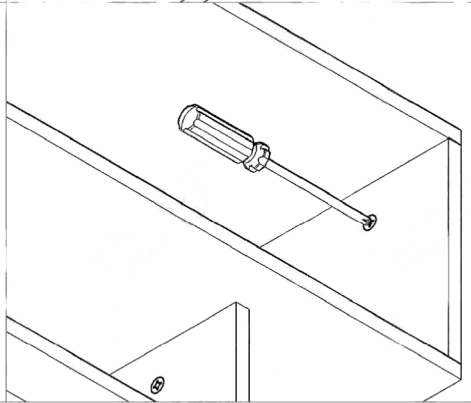
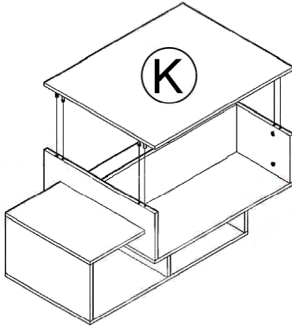
20



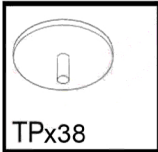
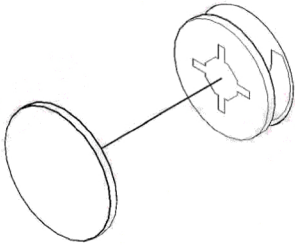
21



22



PLASTIC COVER CAPS FOR SCREWS



TPx38



Fx38

