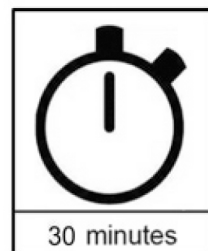
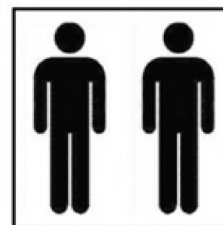
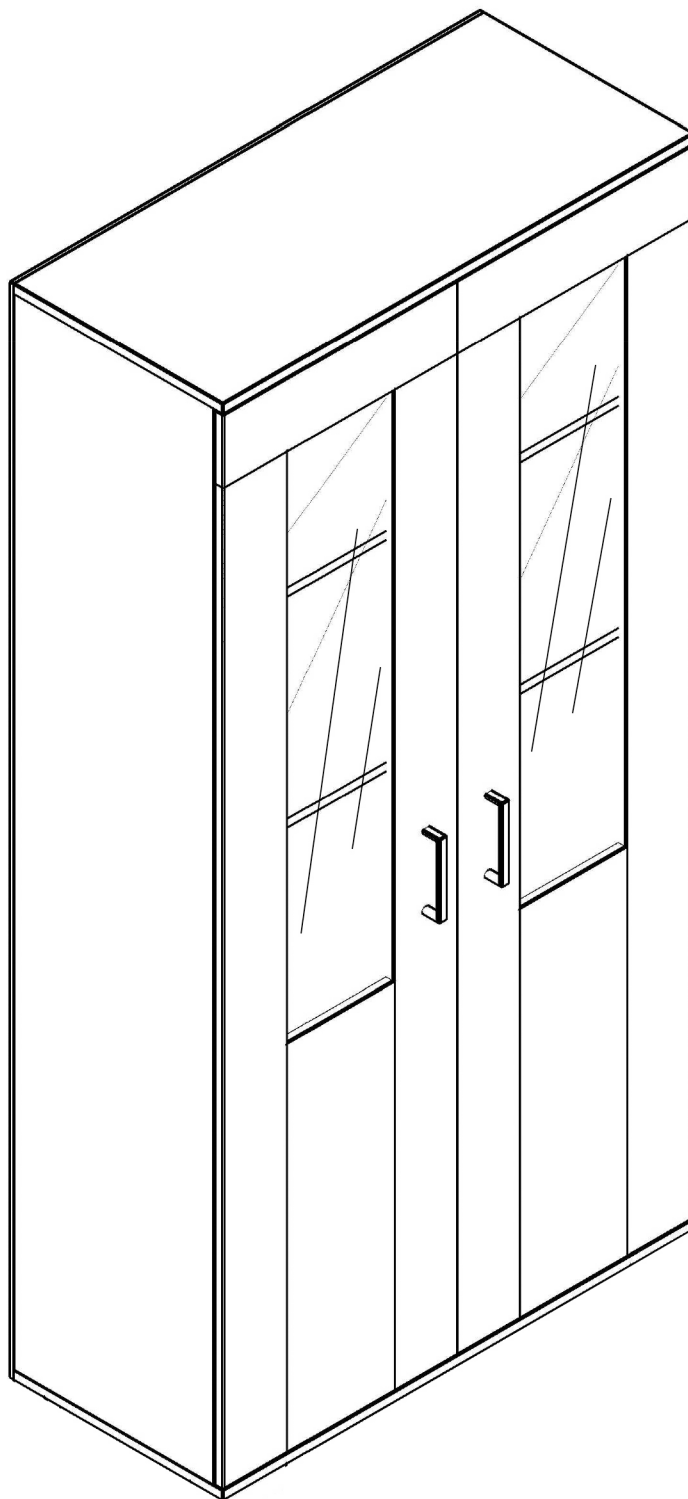
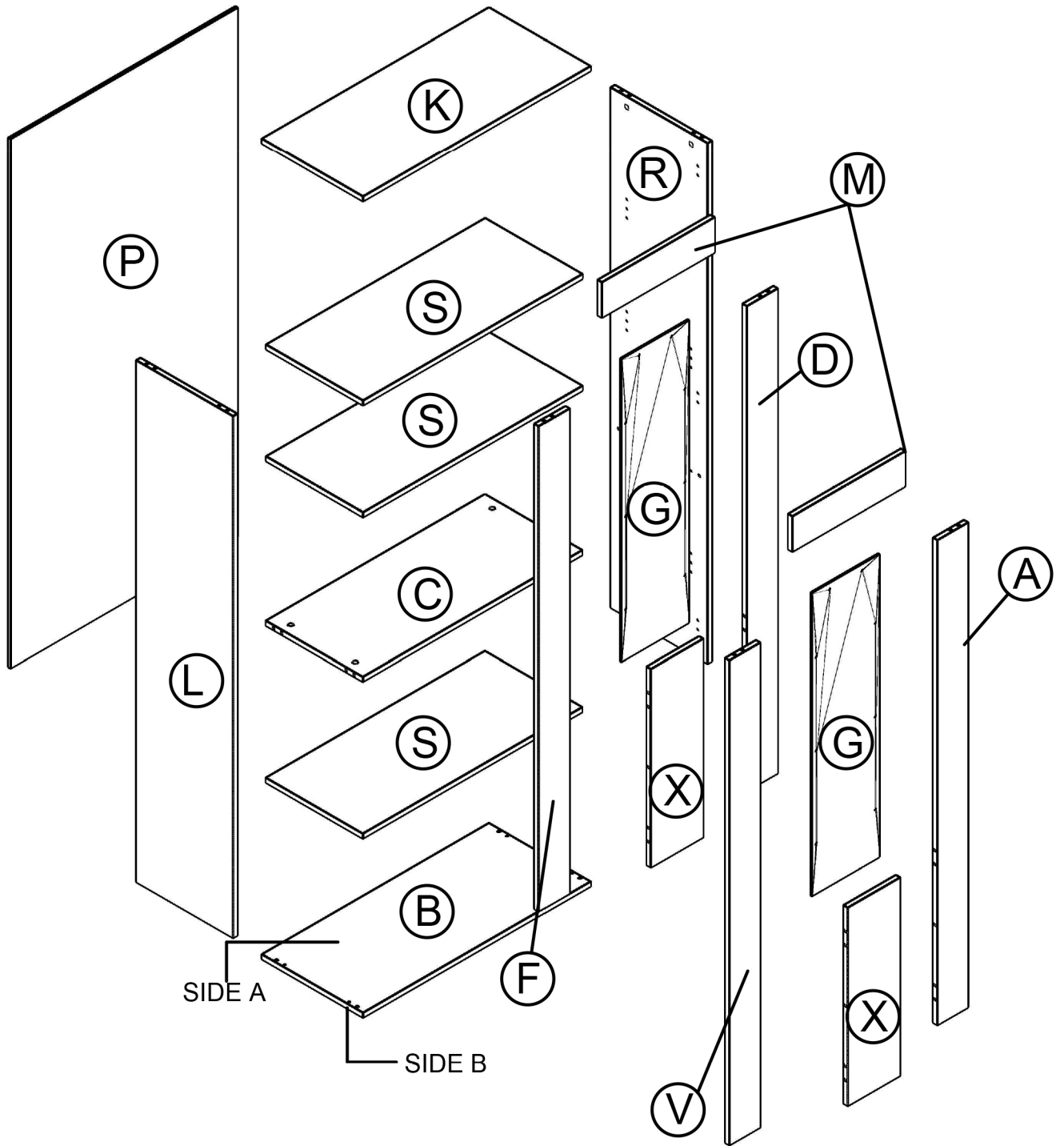
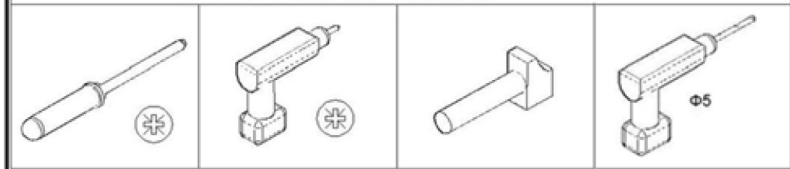


# GRK18





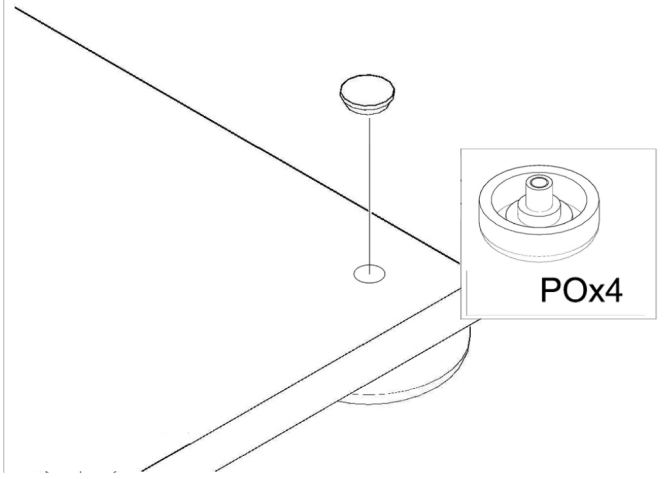
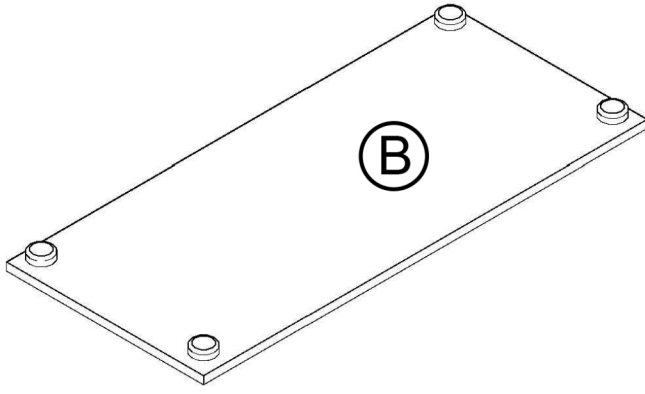
USING TOOLS



 Fx36	 Px12	 Kx12	 KAx40	 4.0x3.5 Bx4	 POx4	 STx20	
 Tx12	 3.5x16 16 mm B3x26	 Mx6	 PDx2	 TPx 36	 K2x16	 P2x12	 GKx1

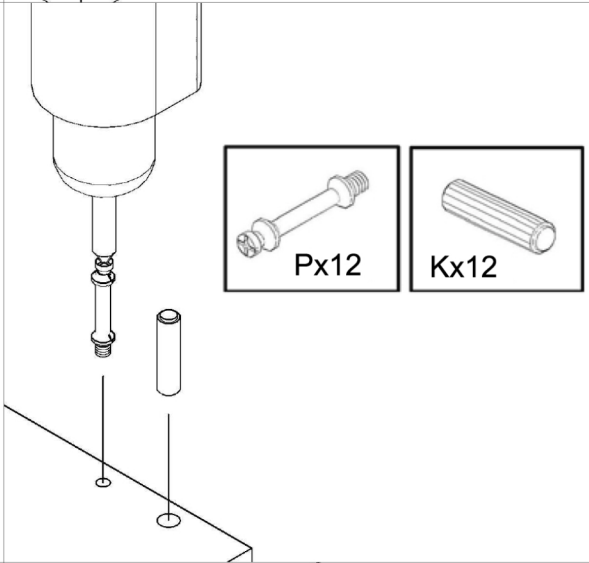
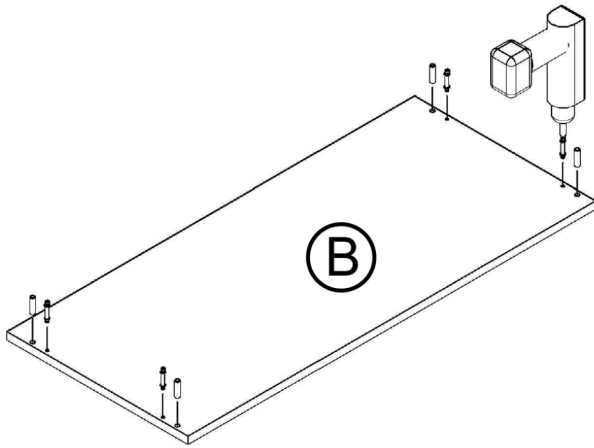
SIDE B

1

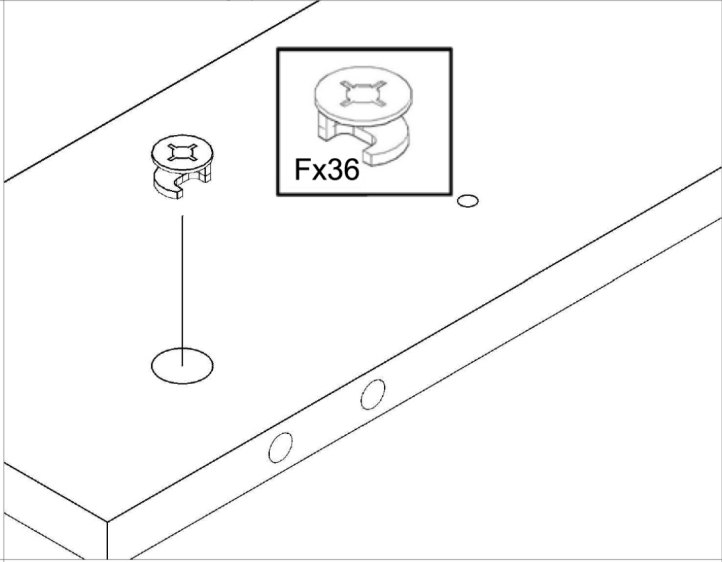
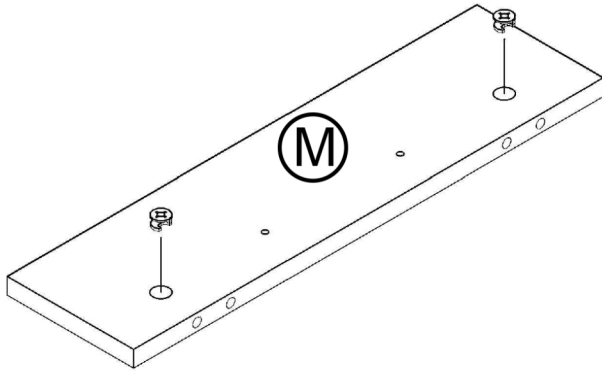


SIDE A

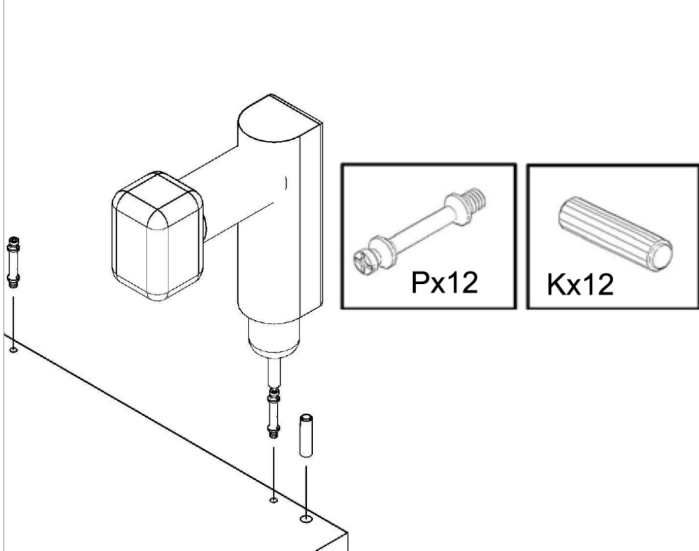
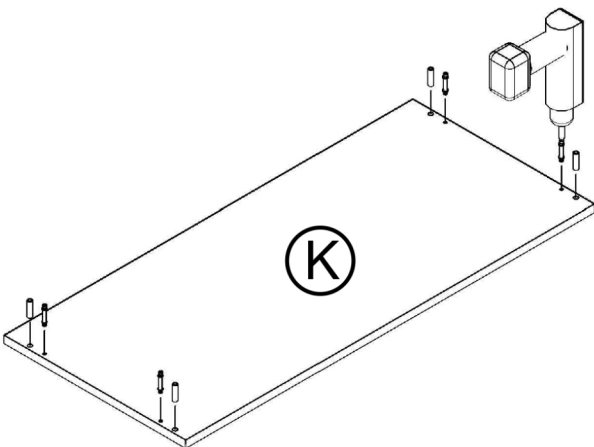
2



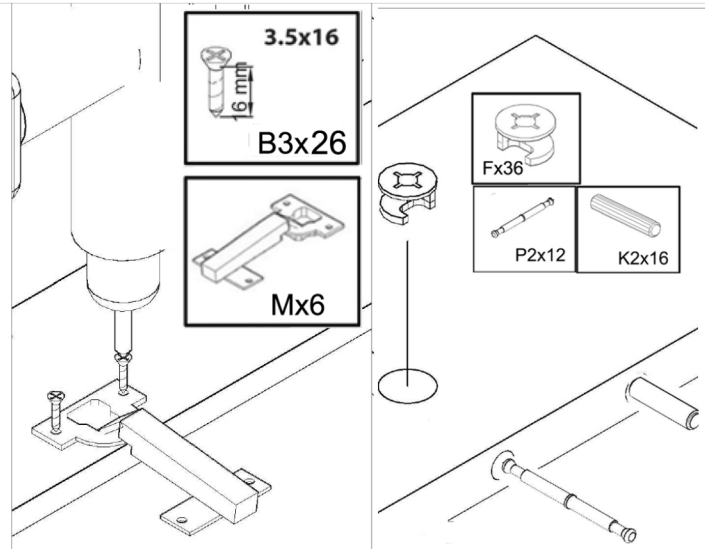
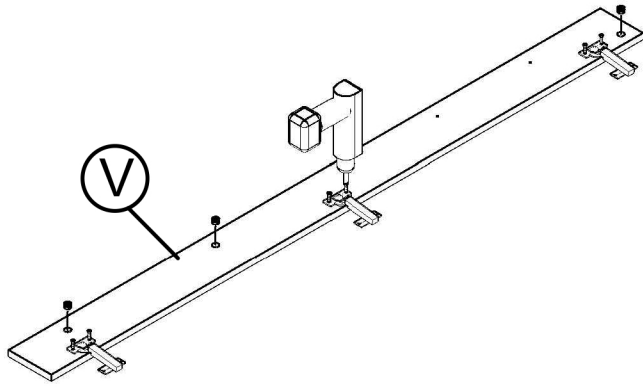
3



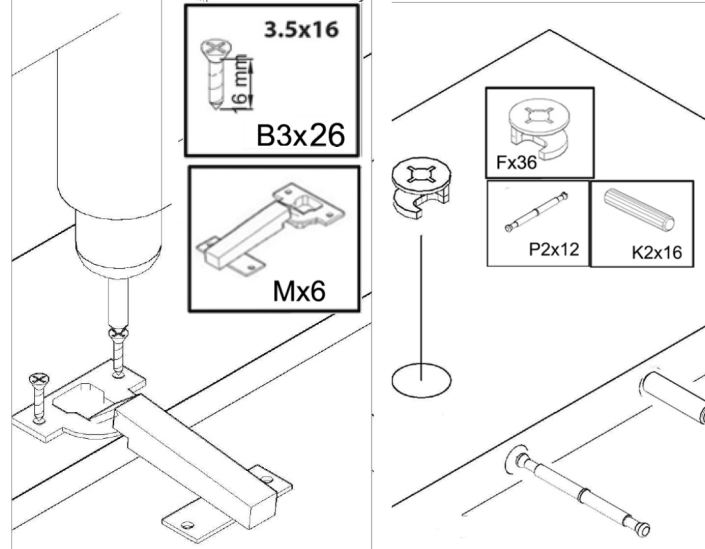
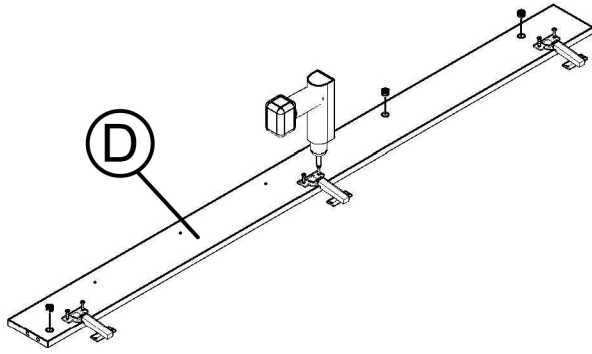
4



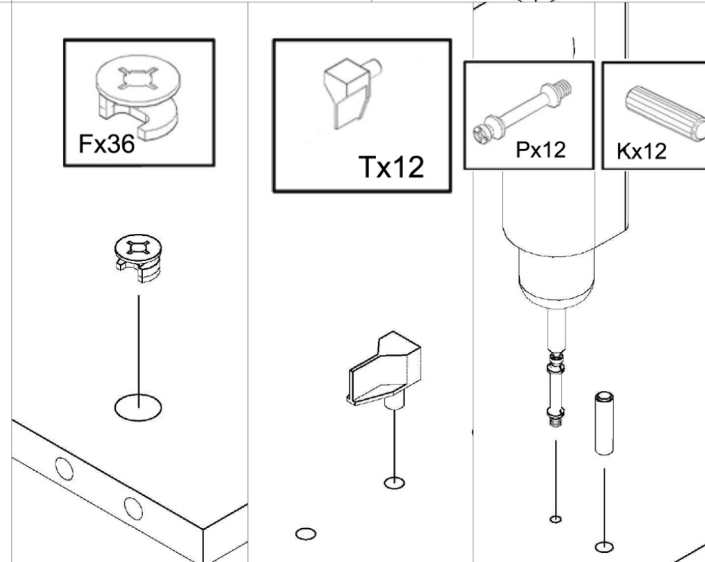
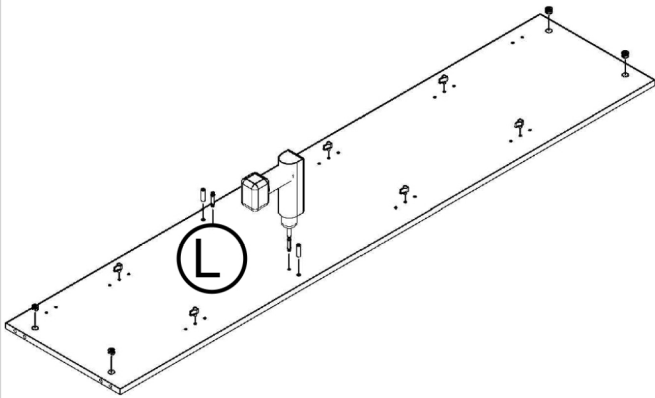
5



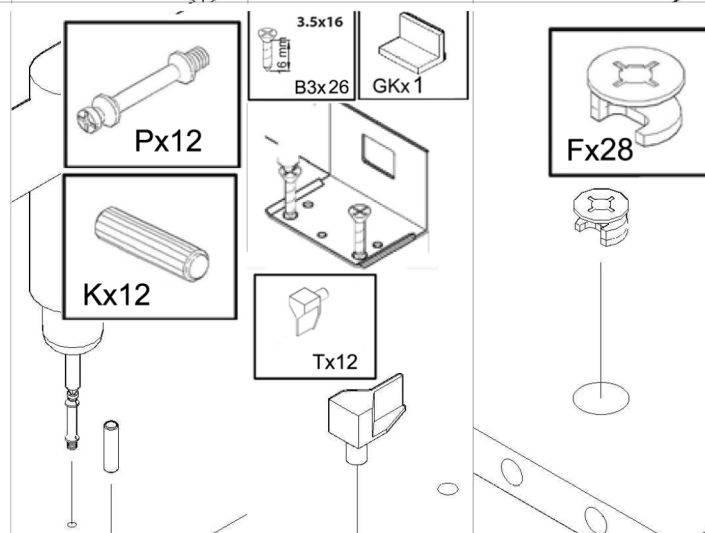
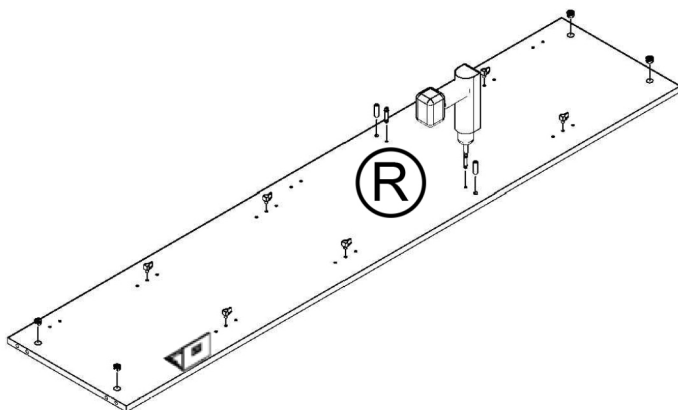
6



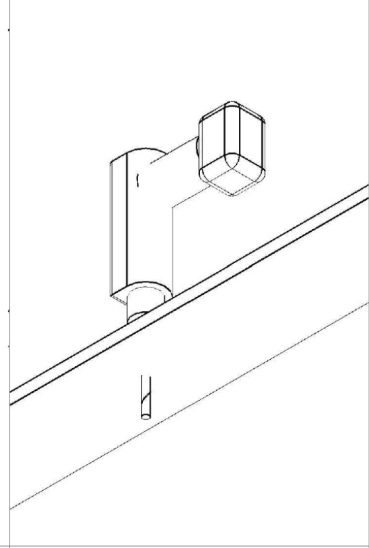
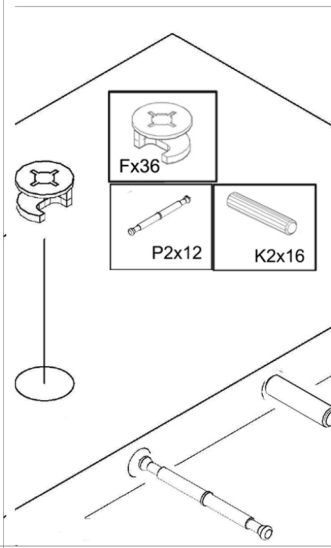
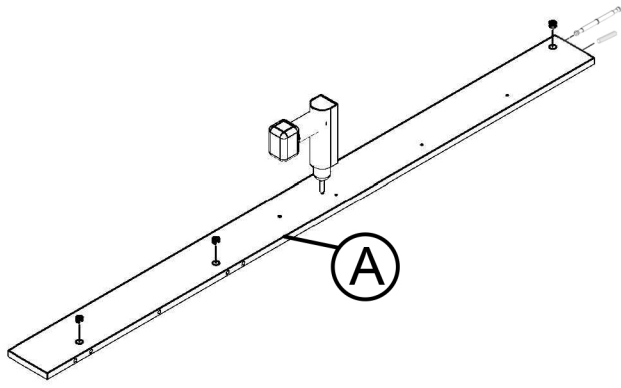
7



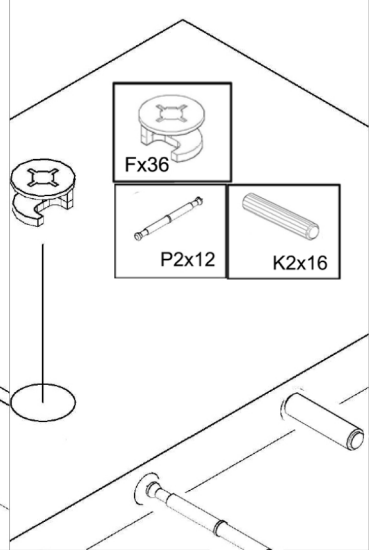
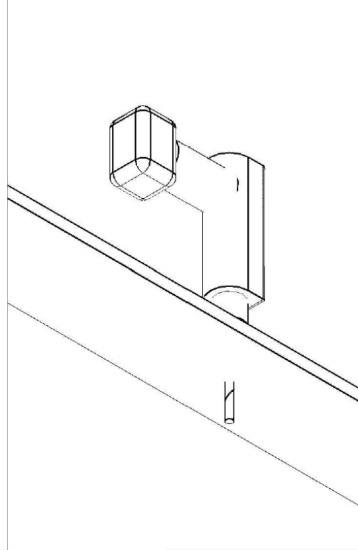
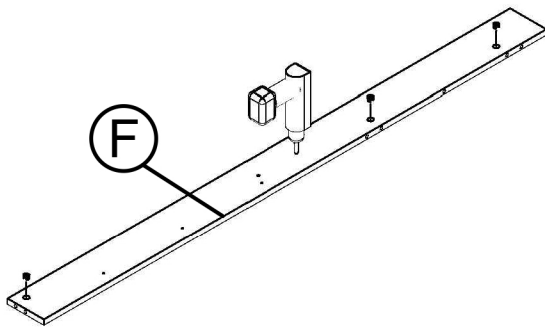
8



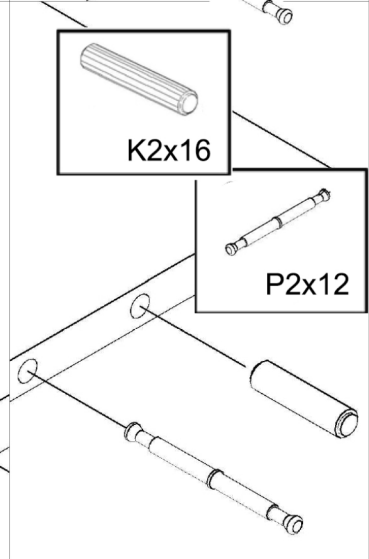
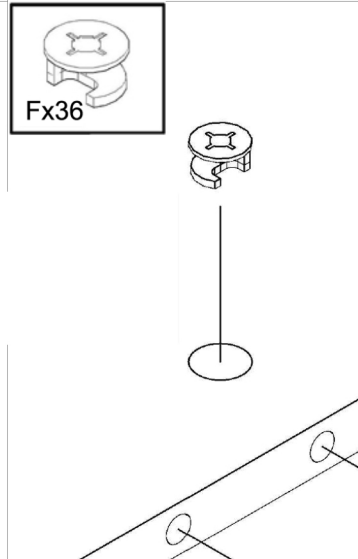
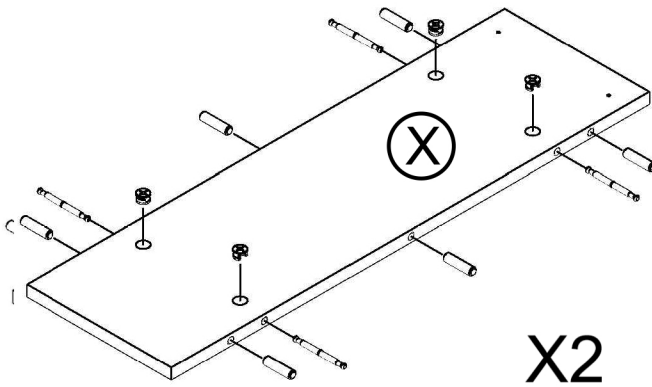
9



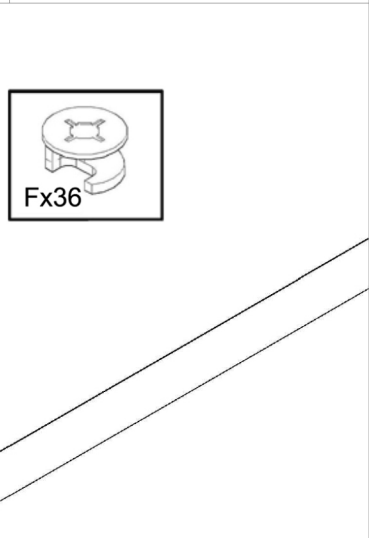
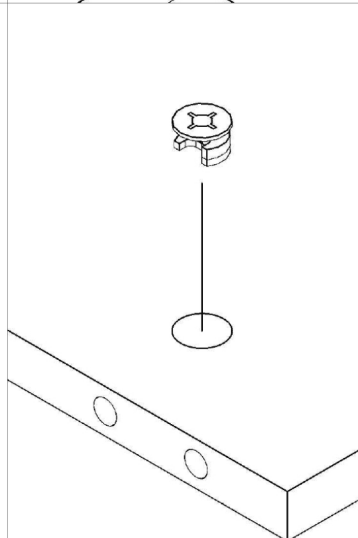
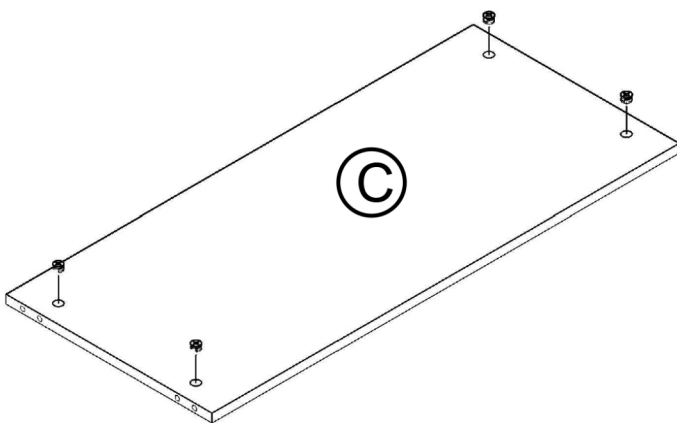
10



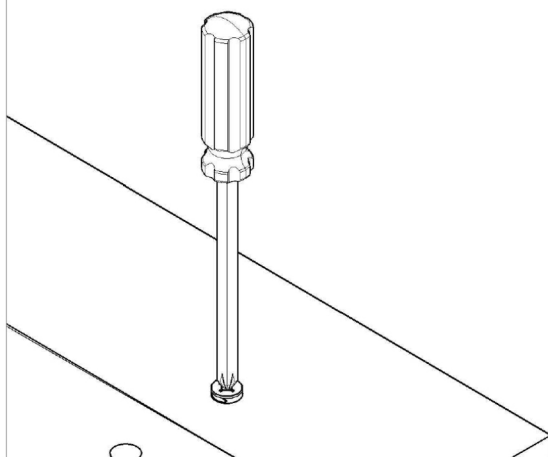
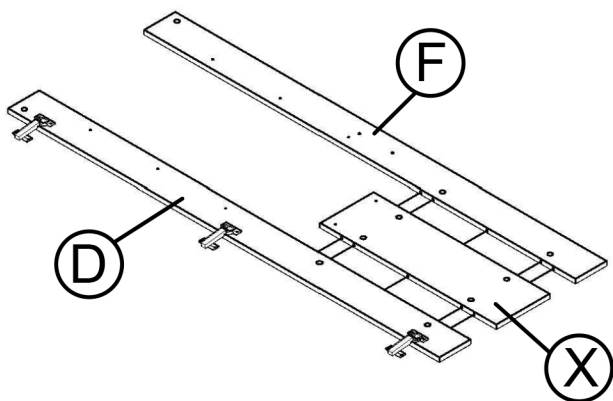
11



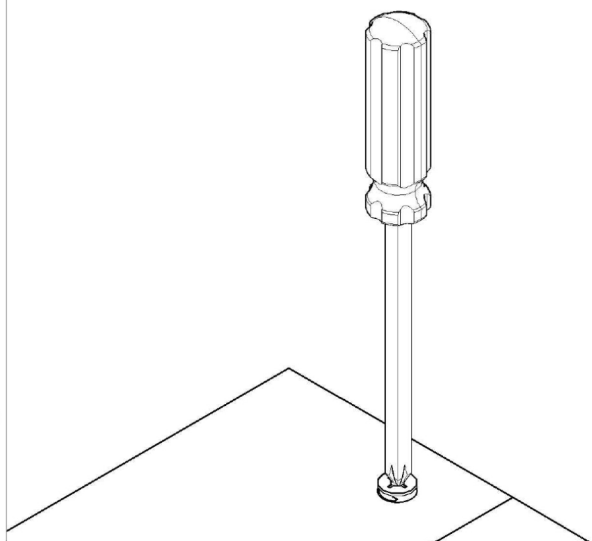
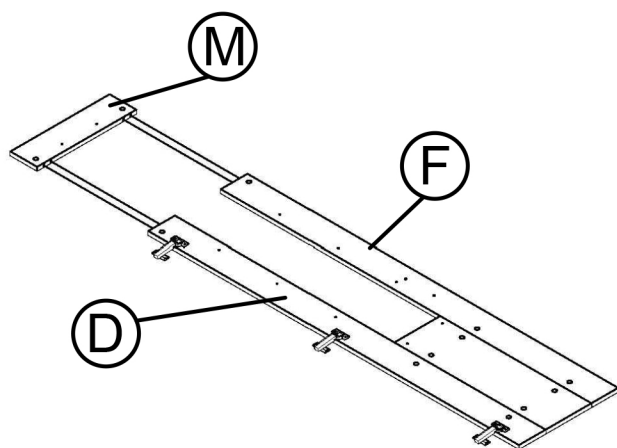
12



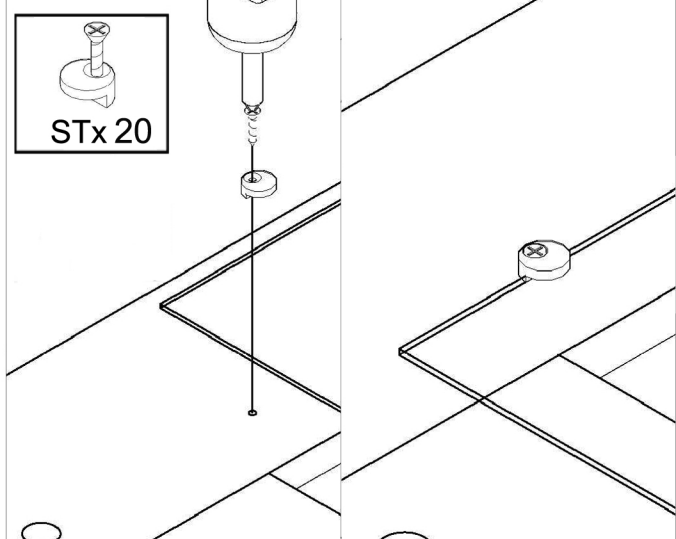
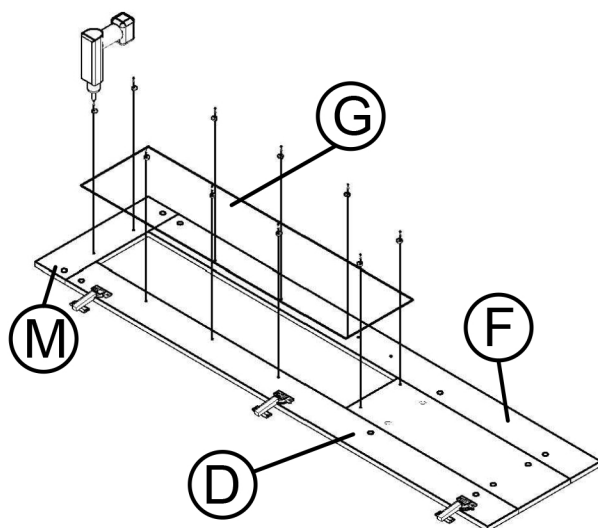
# 13



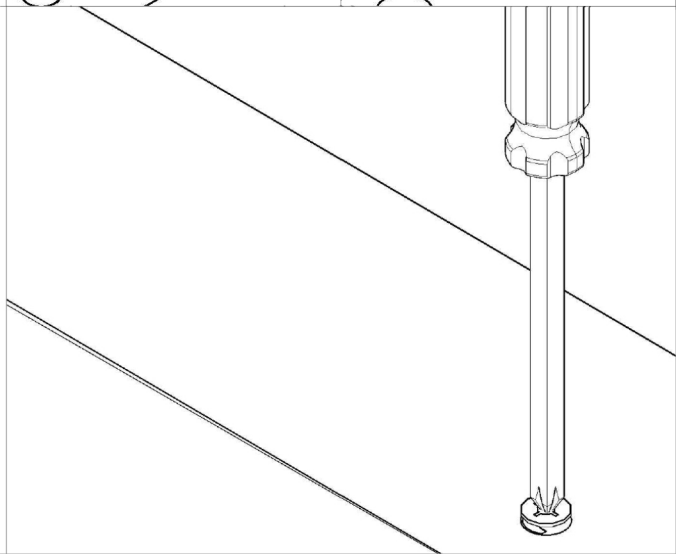
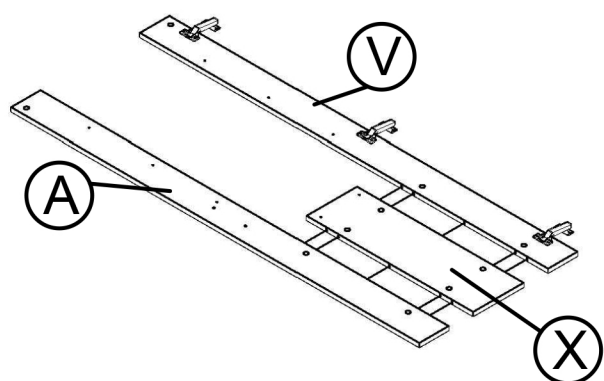
# 14



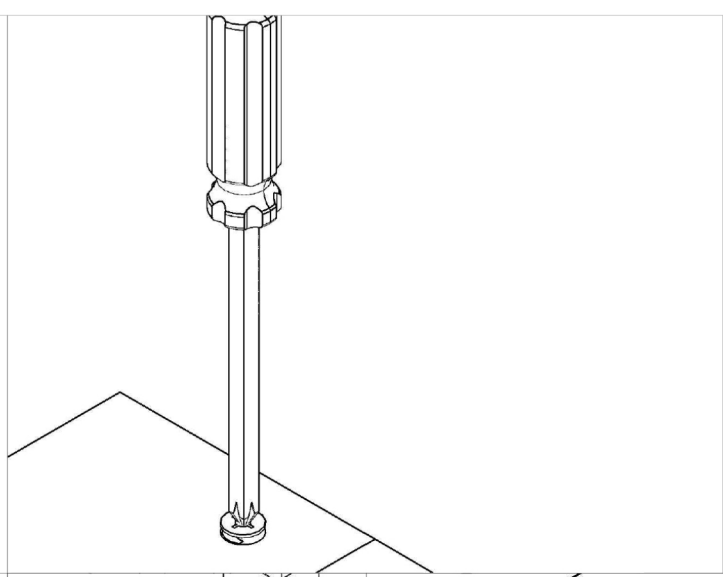
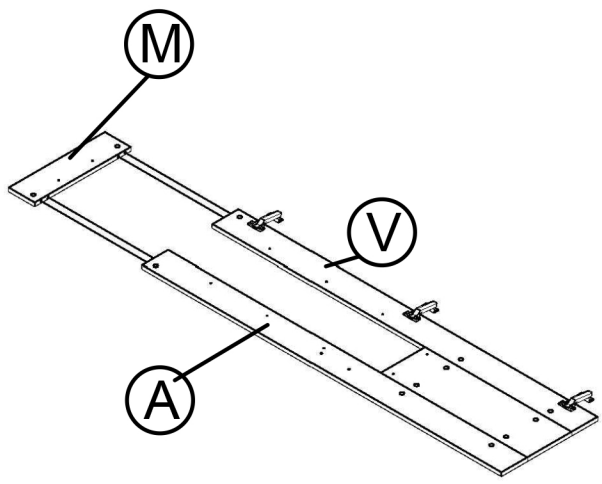
# 15



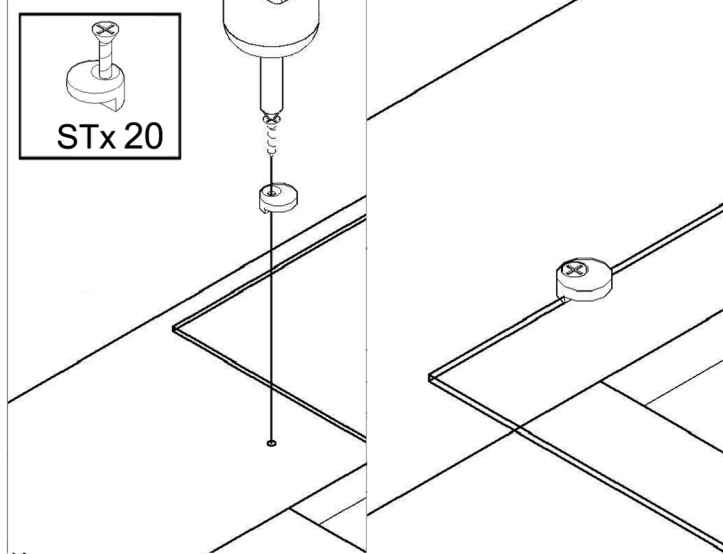
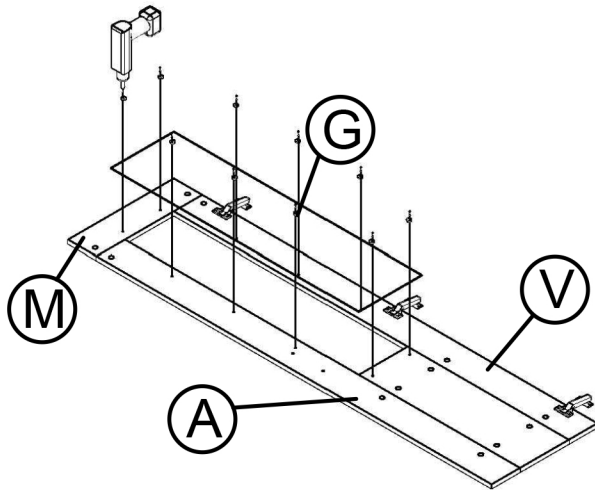
# 16



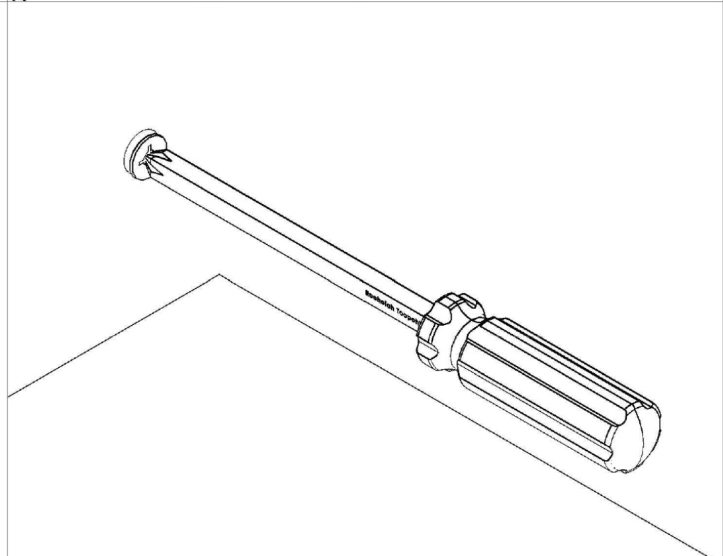
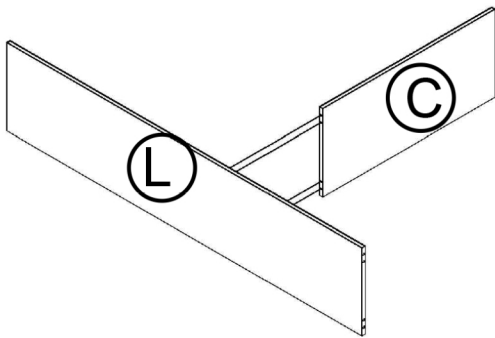
17



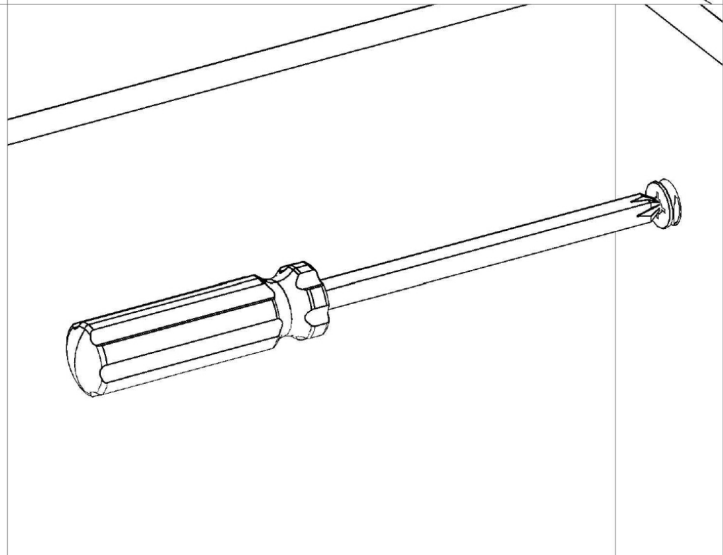
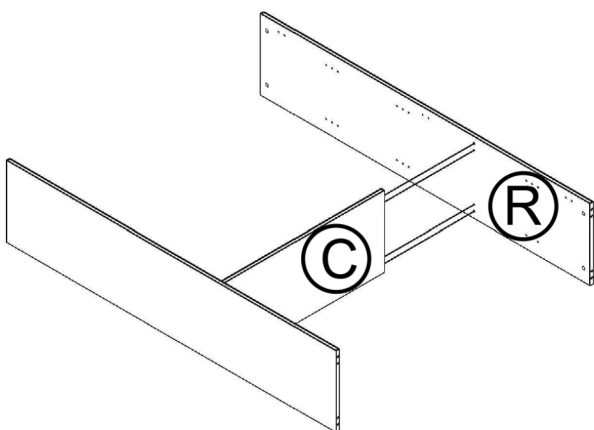
18



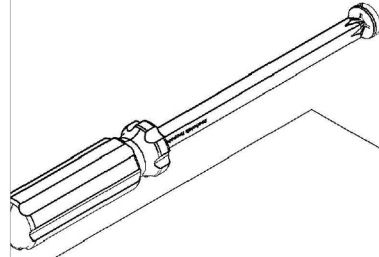
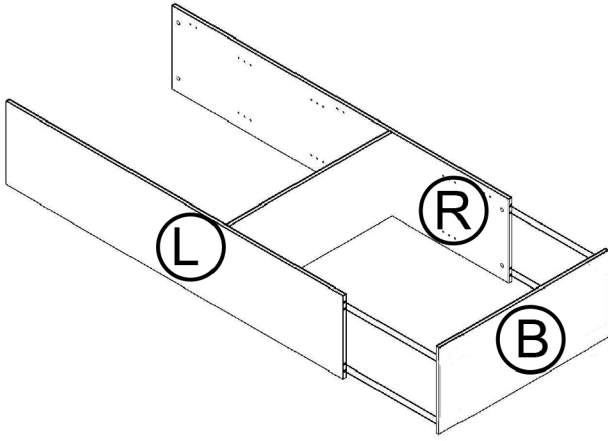
19



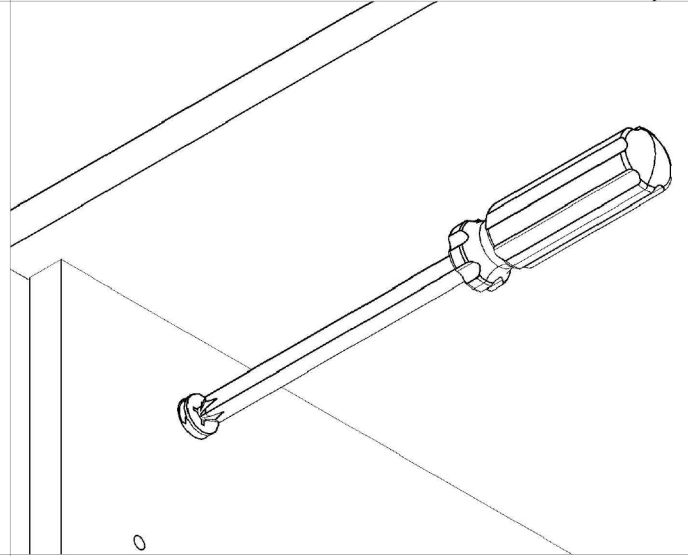
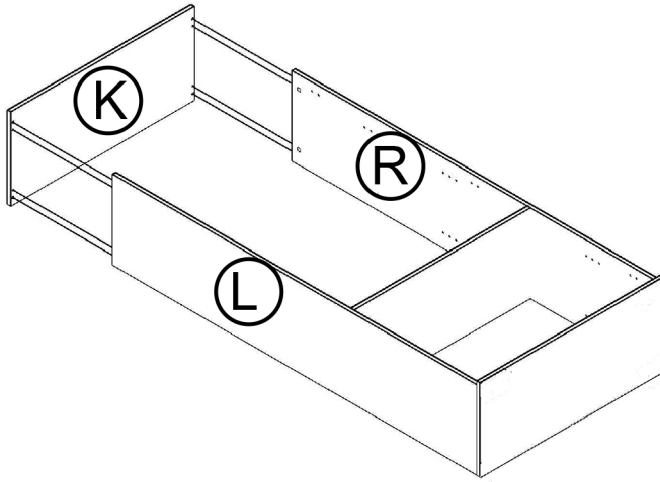
20



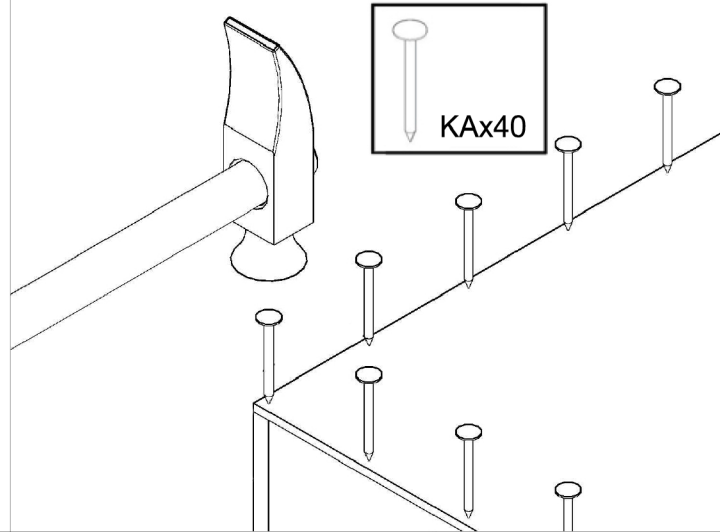
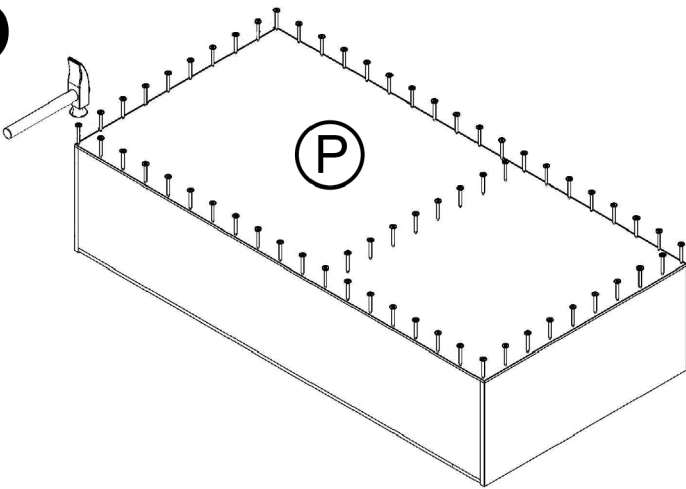
21



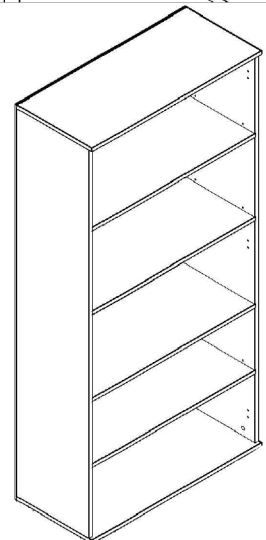
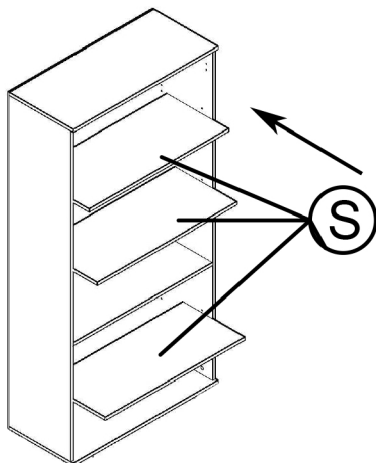
22



23

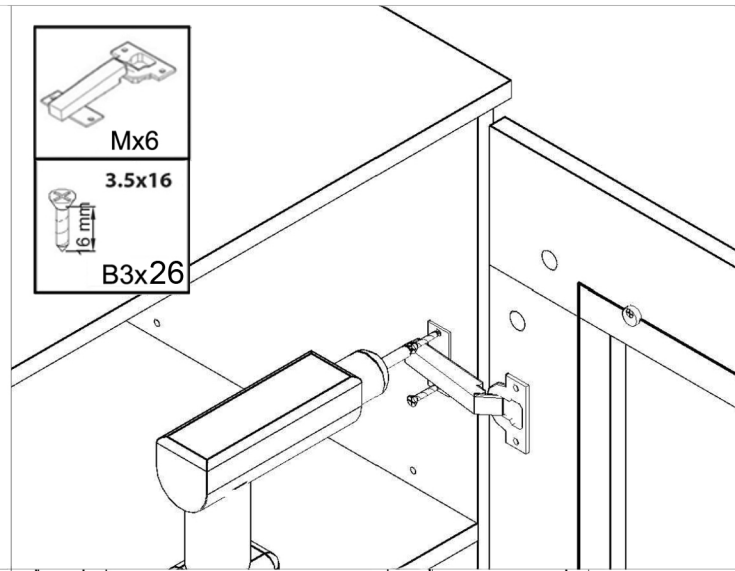
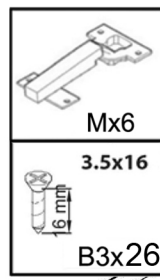
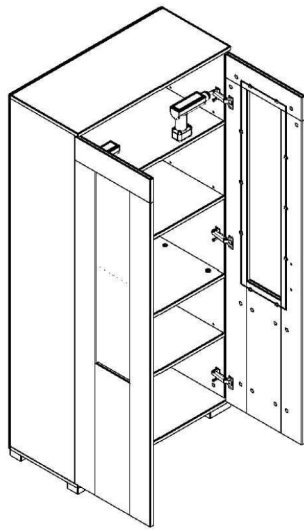


24

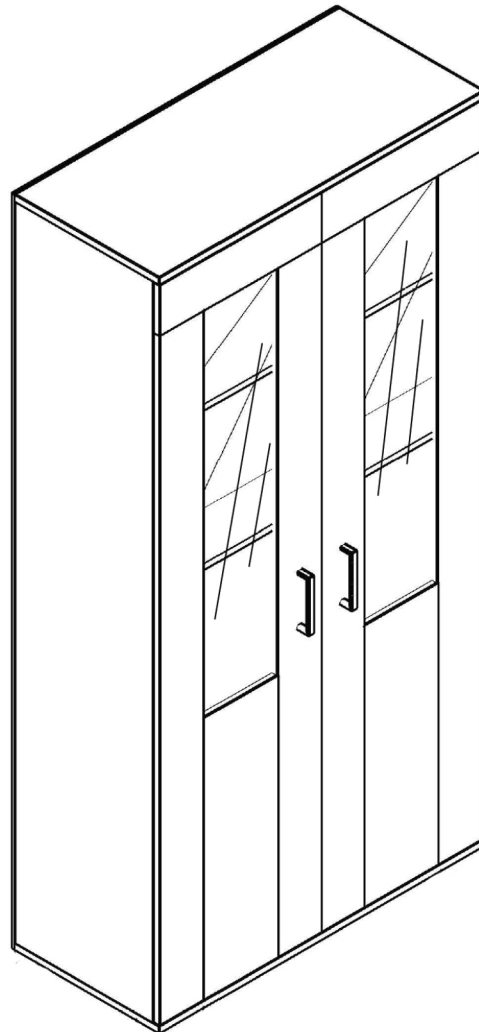
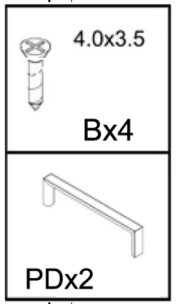
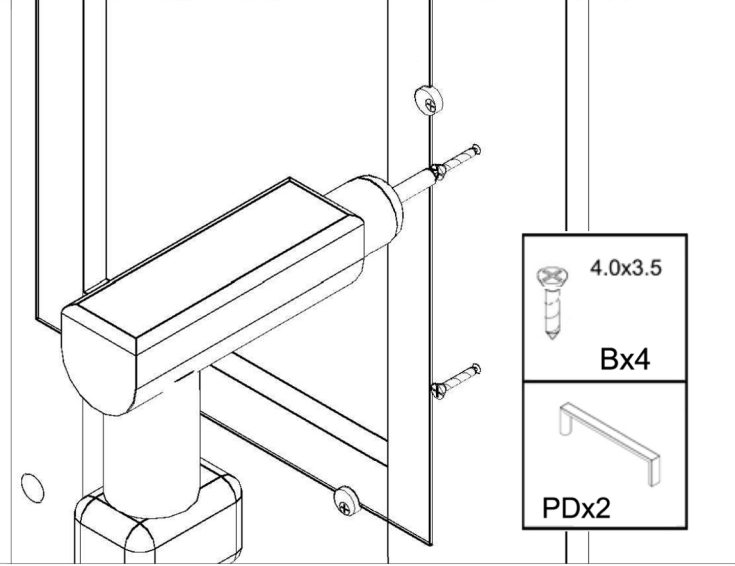
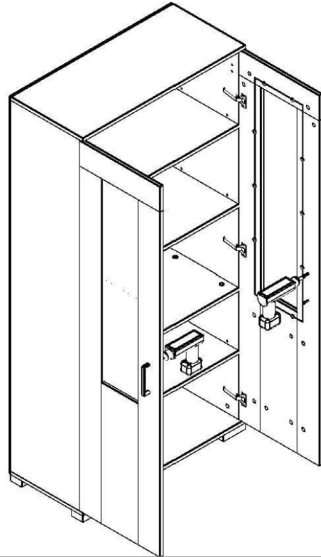




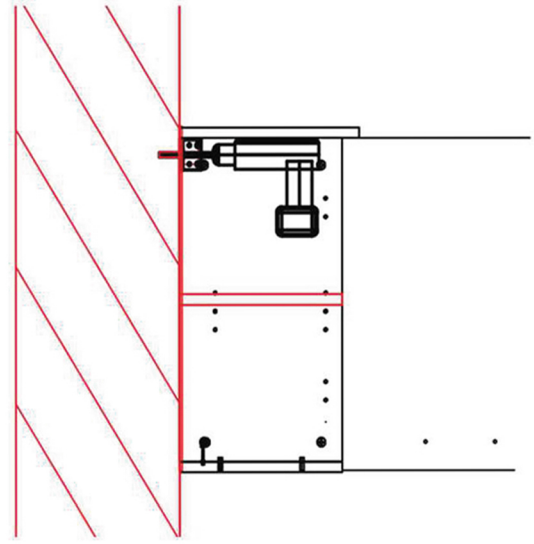
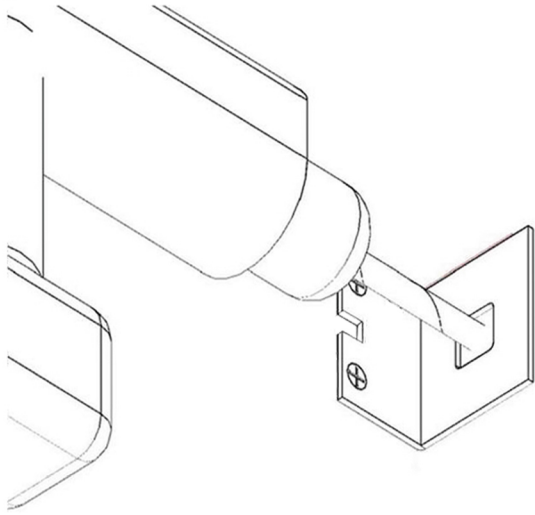
25



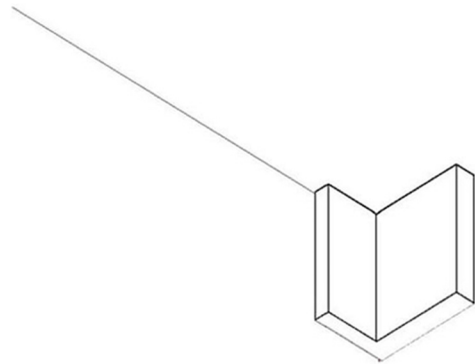
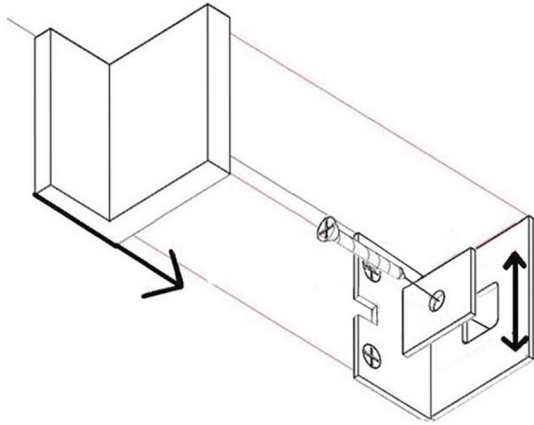
26



**A**



**B**



**PLASTIC COVER CAPS FOR SCREWS**

