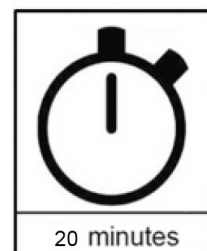
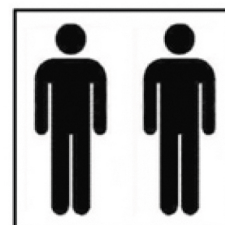
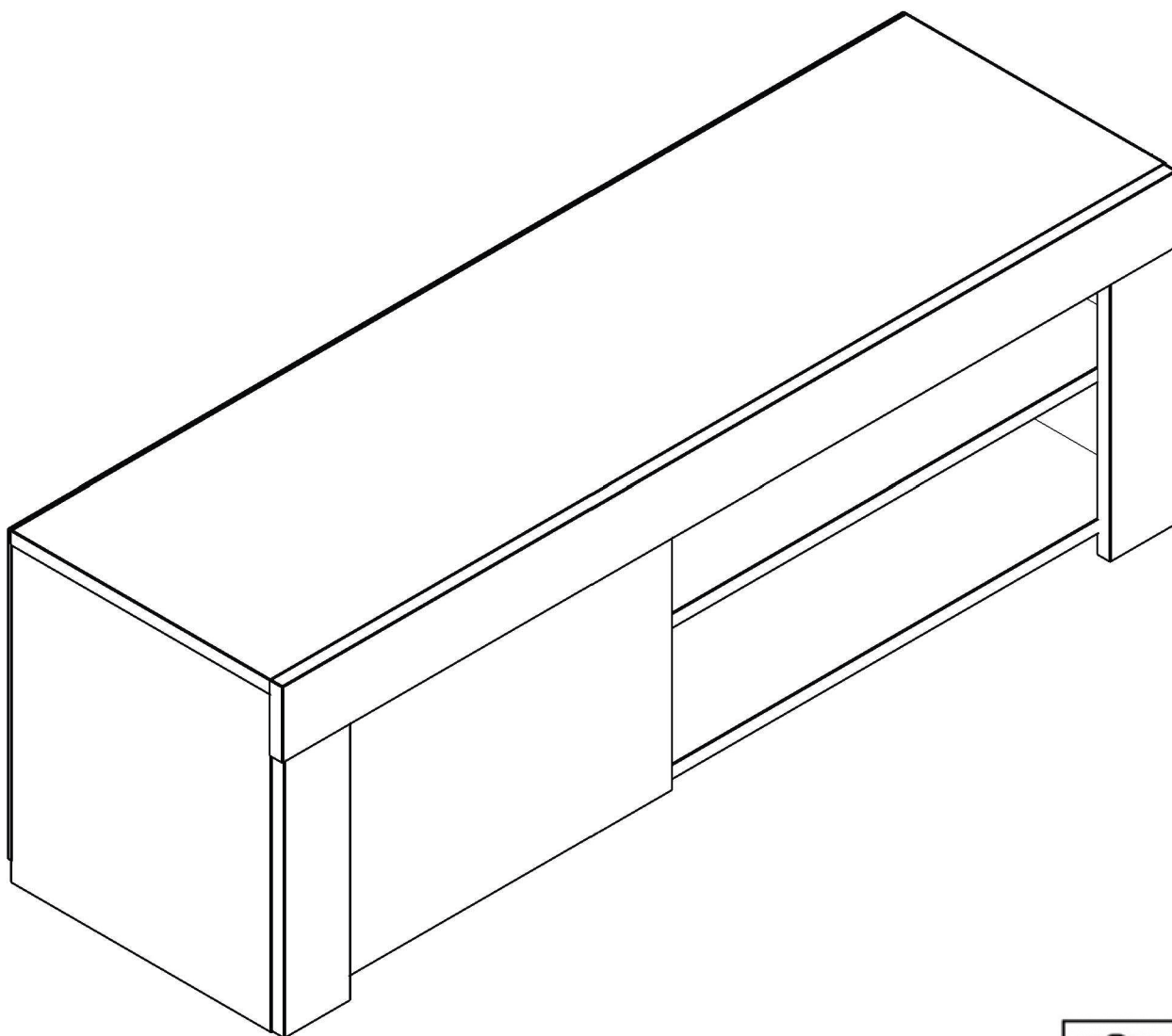
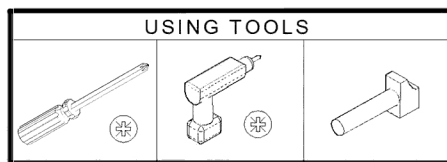
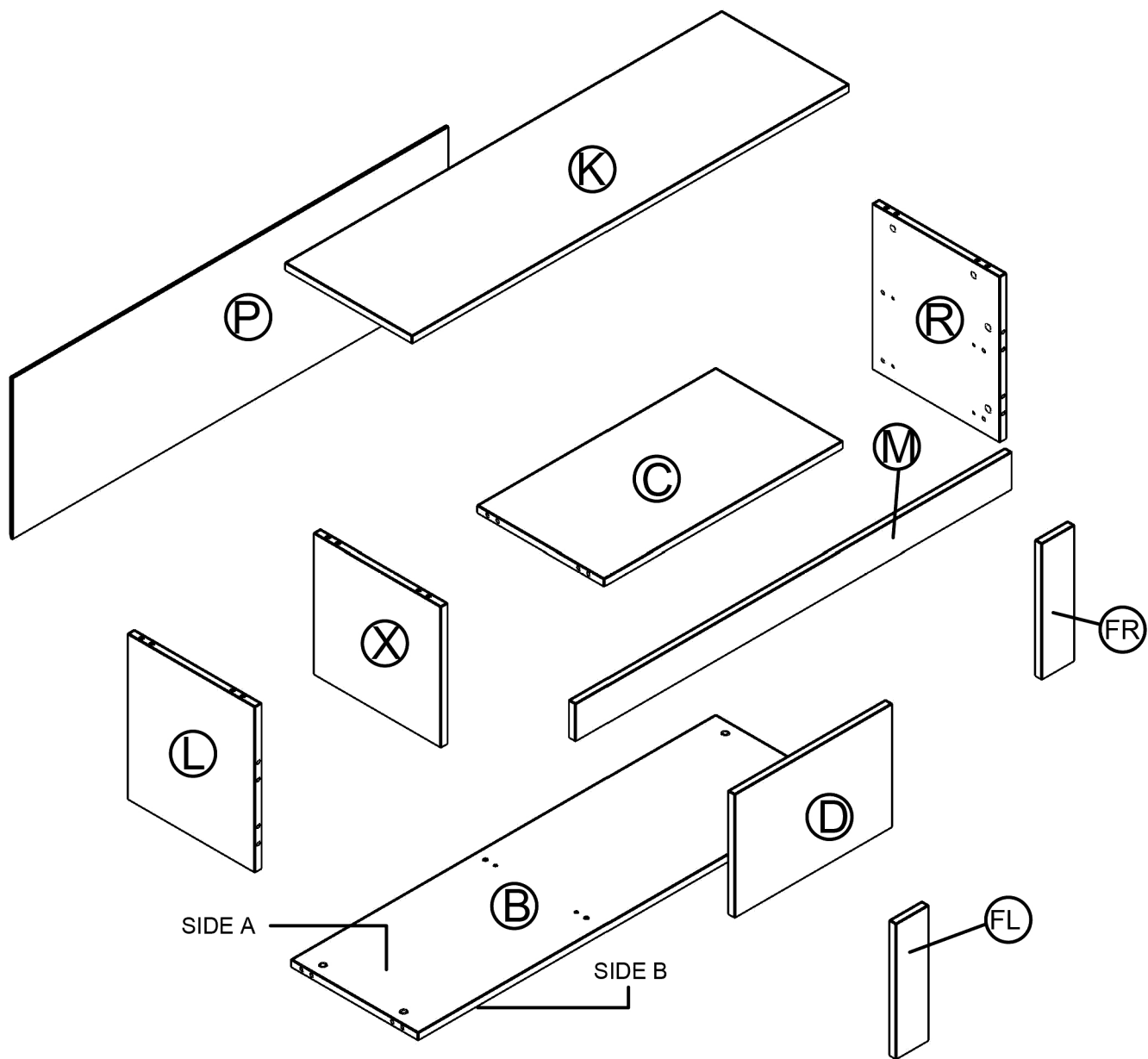

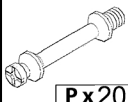




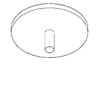
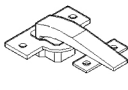




GRK 186

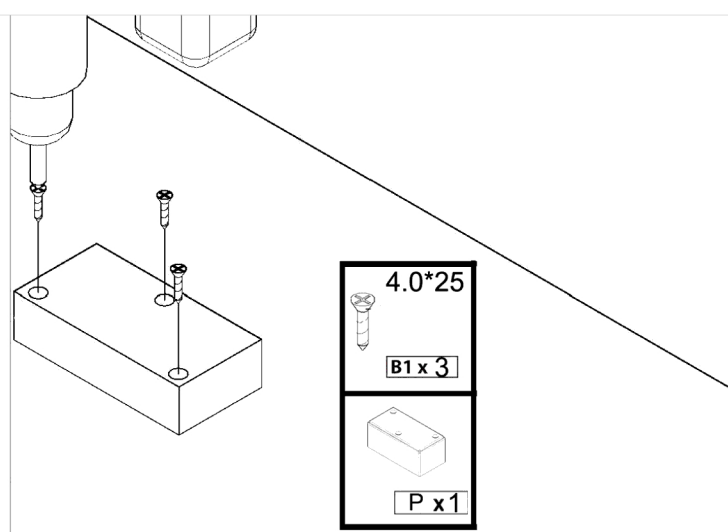
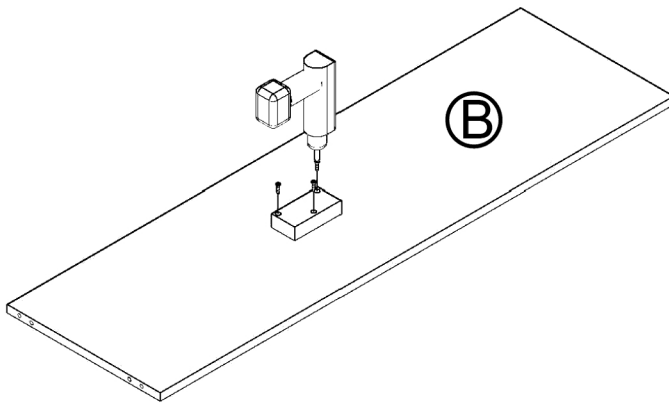




 F x 20	 P x 20	 K x 20	 3.5x16 B2 x 24	 4.0*25 B1 x 3
 K x 30	 TP x 20	 ME x 2	 P2 x 4	 P x 1

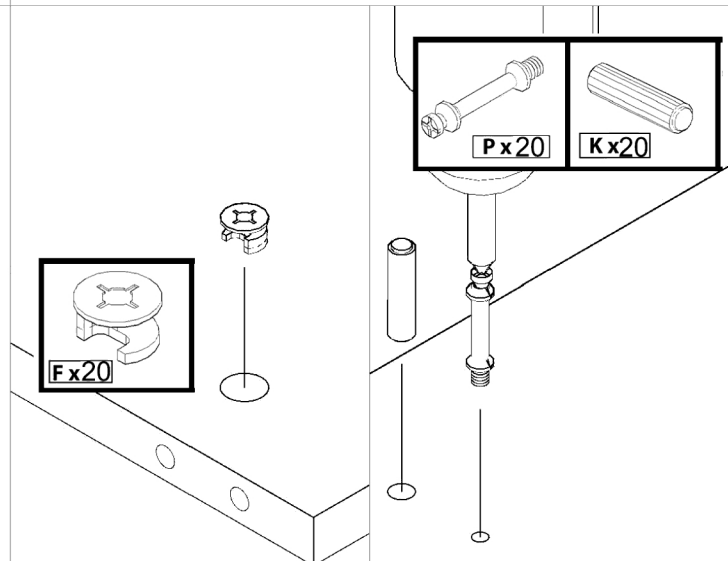
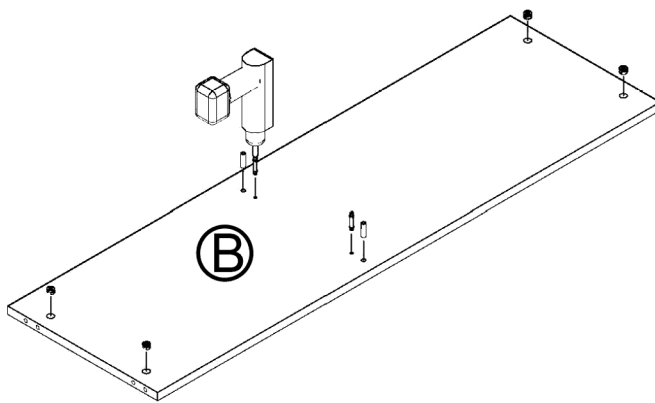
1

SIDE B

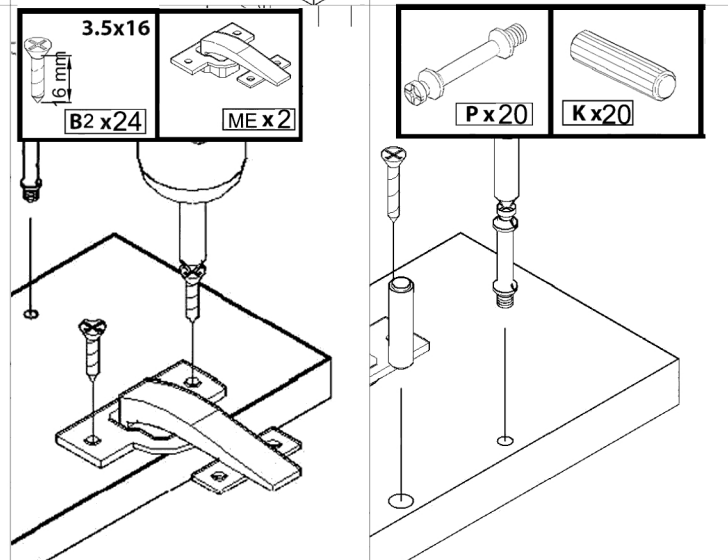
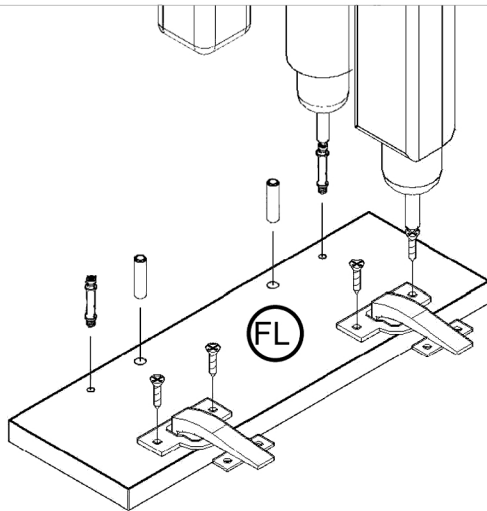


2

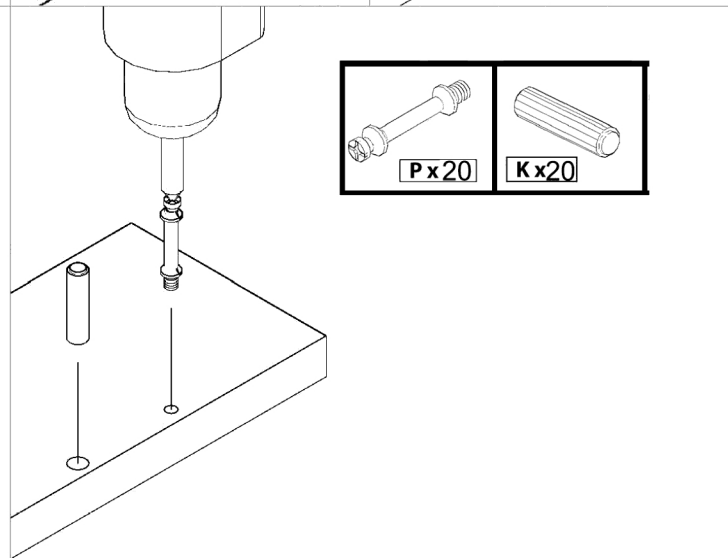
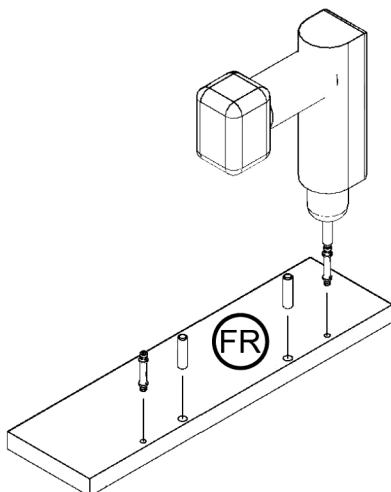
SIDE A



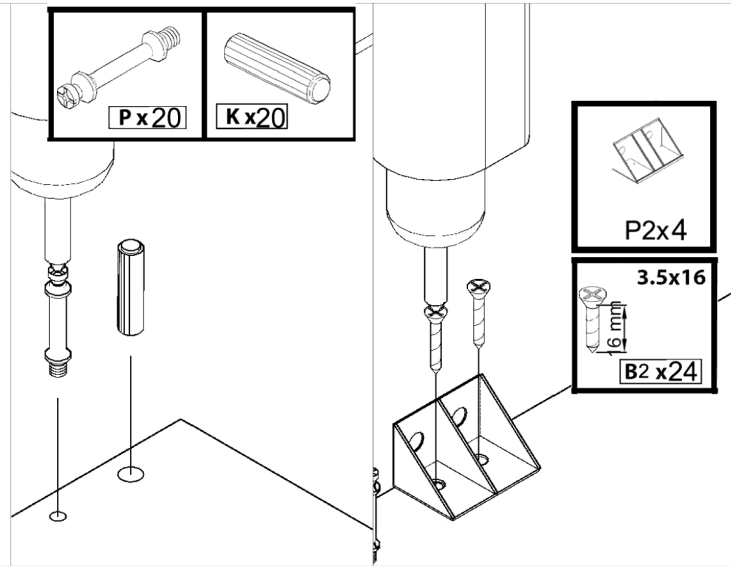
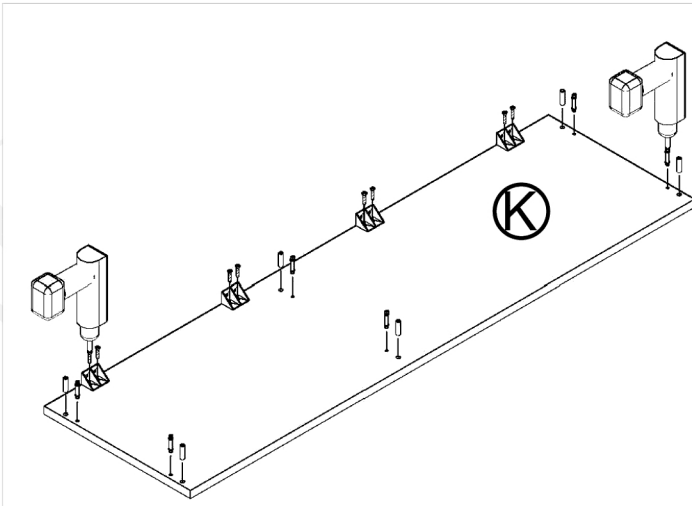
3



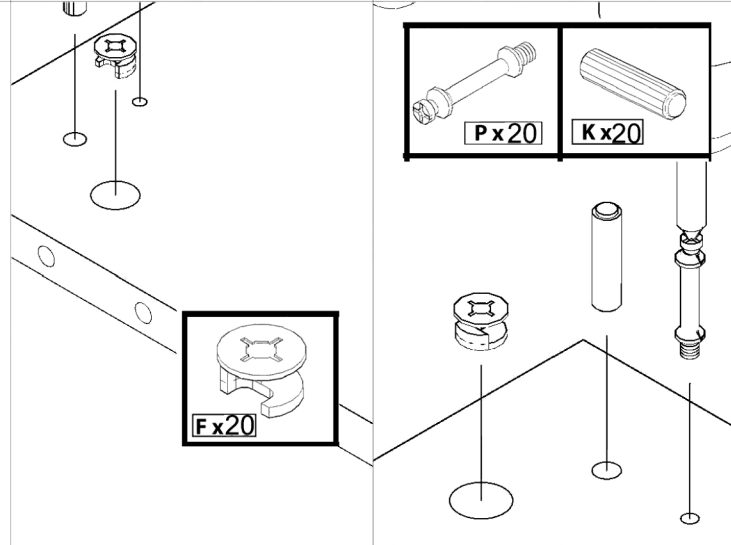
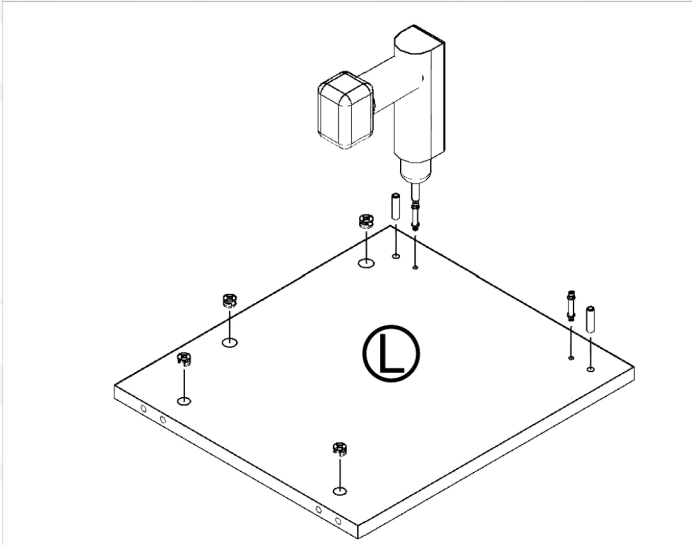
4



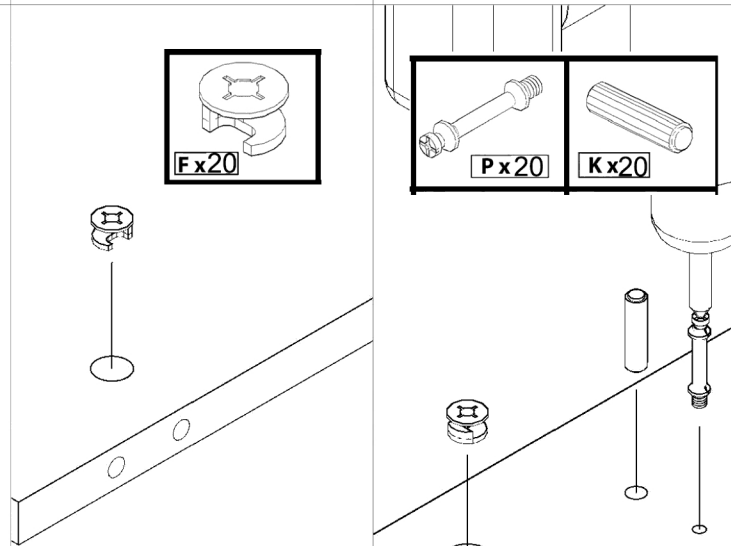
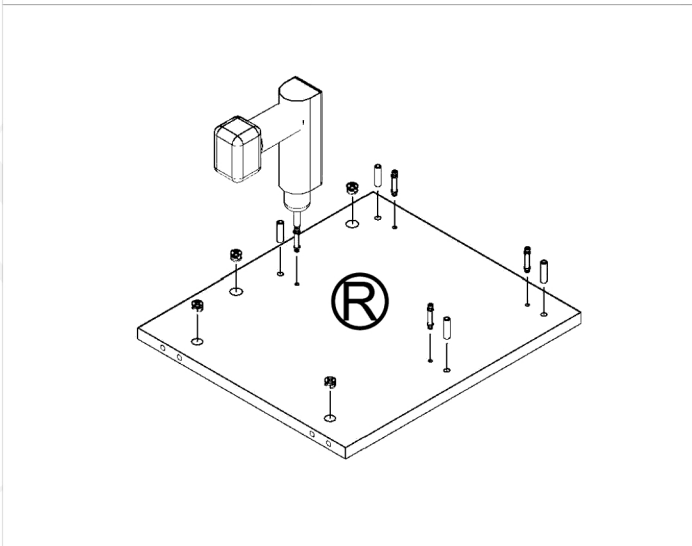
5



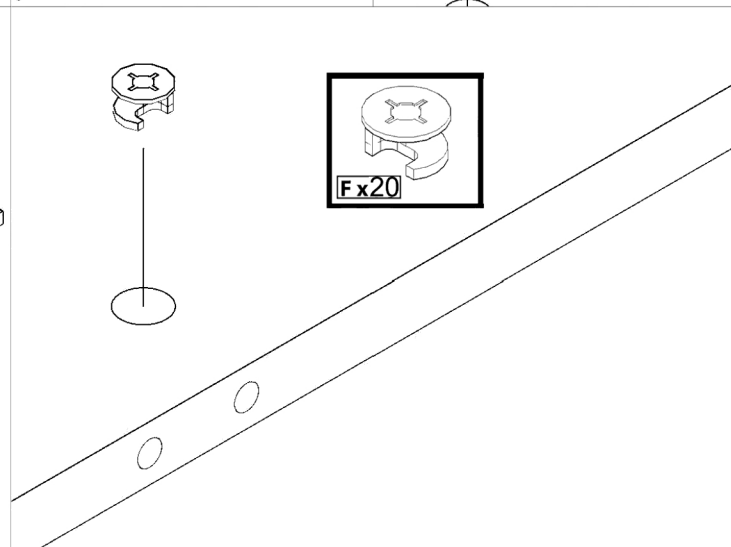
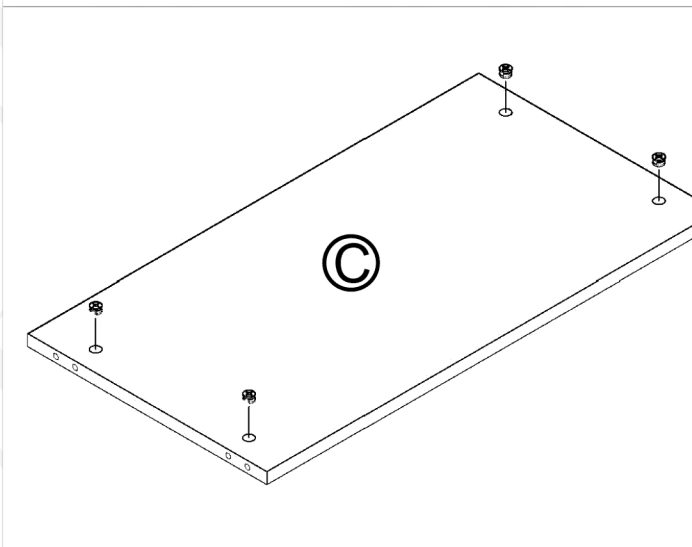
6



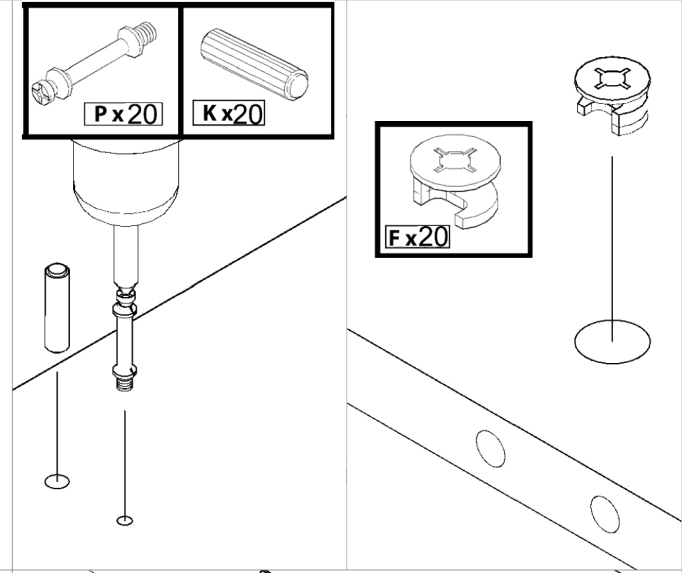
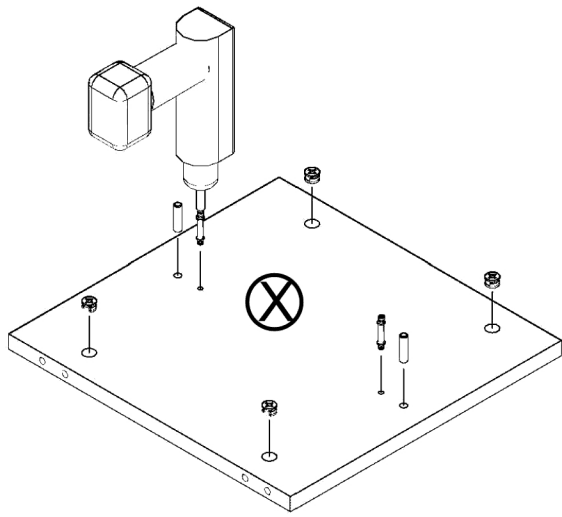
7



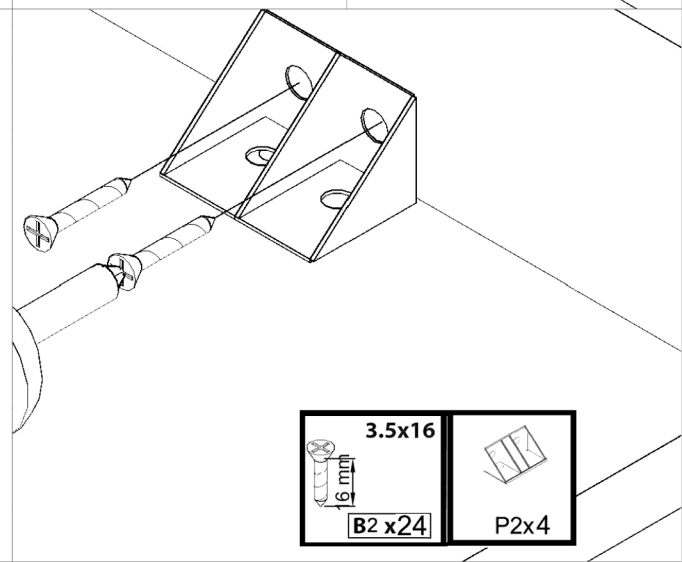
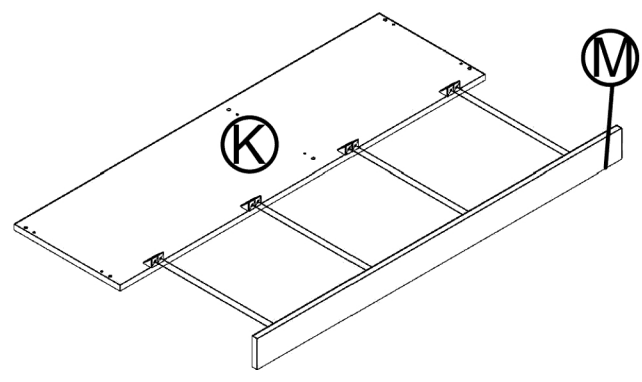
8



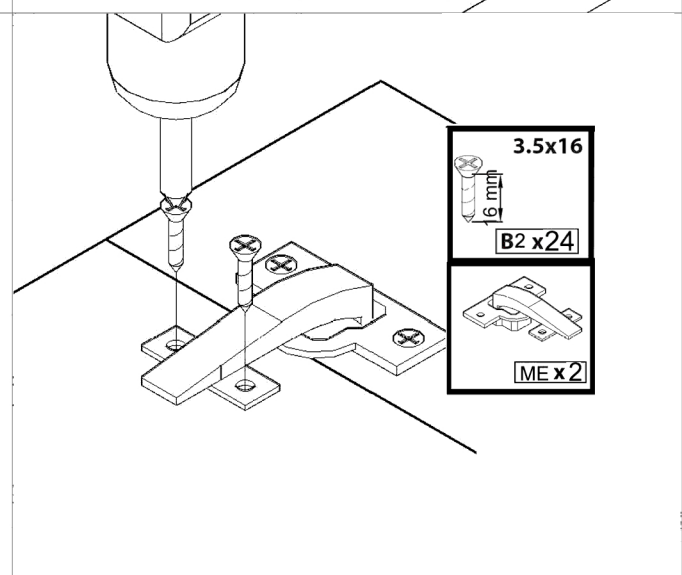
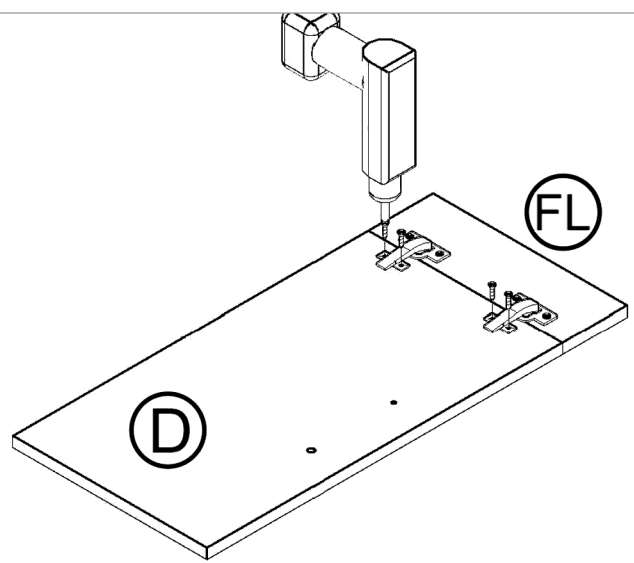
9



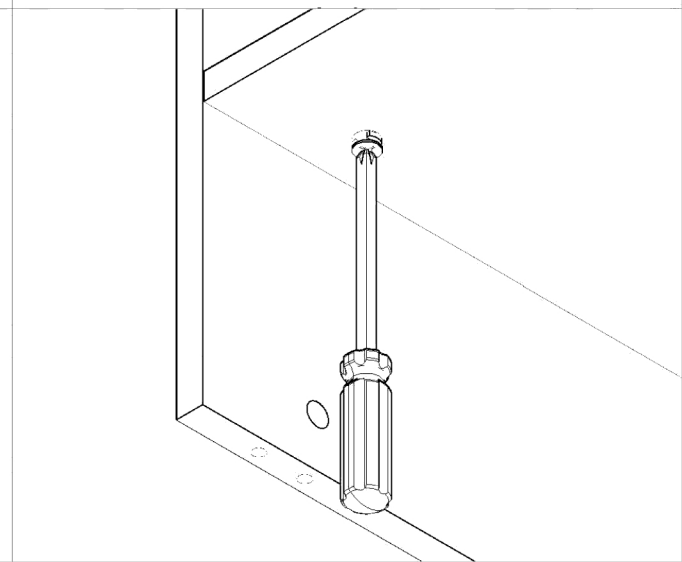
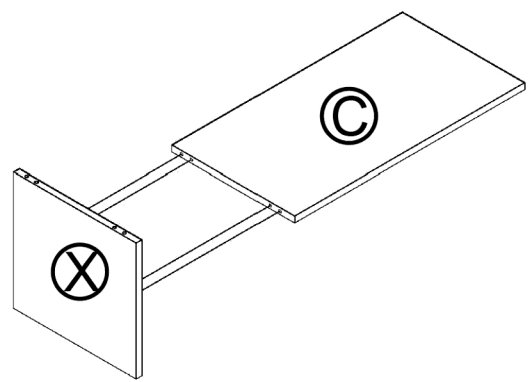
10



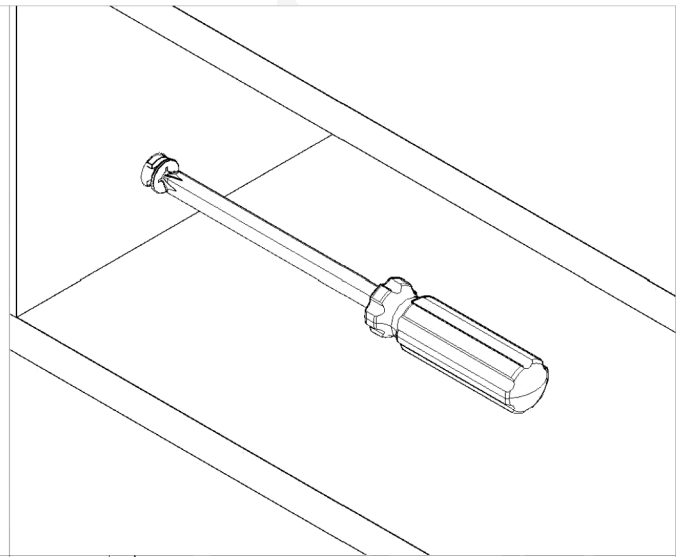
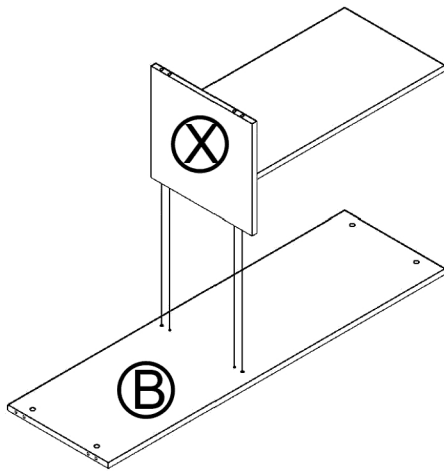
11



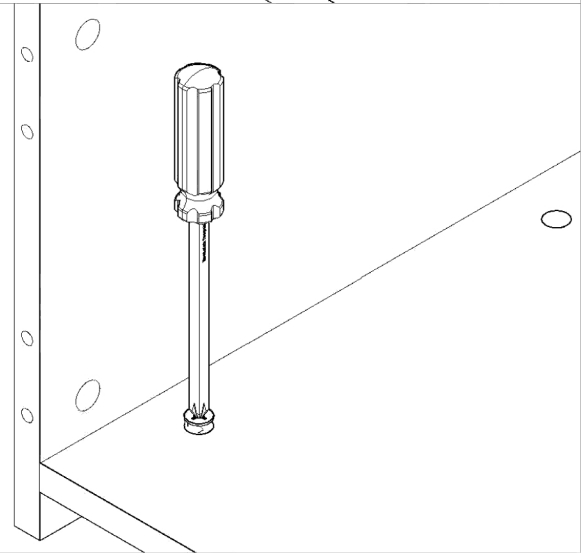
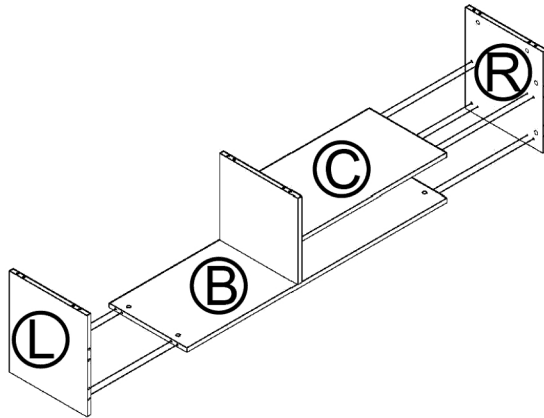
12



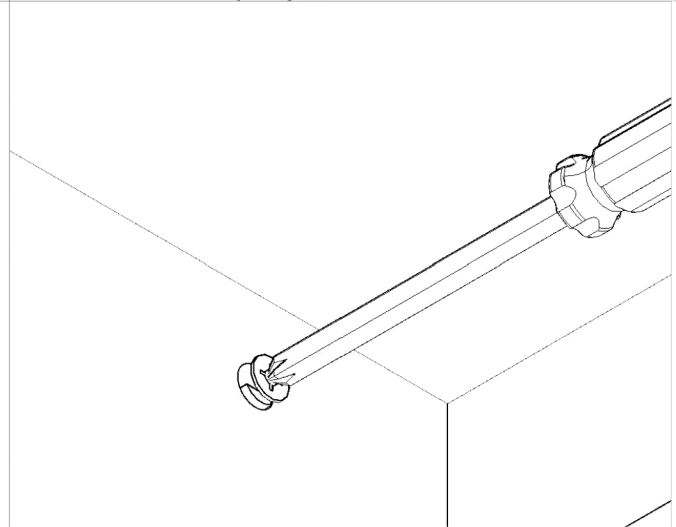
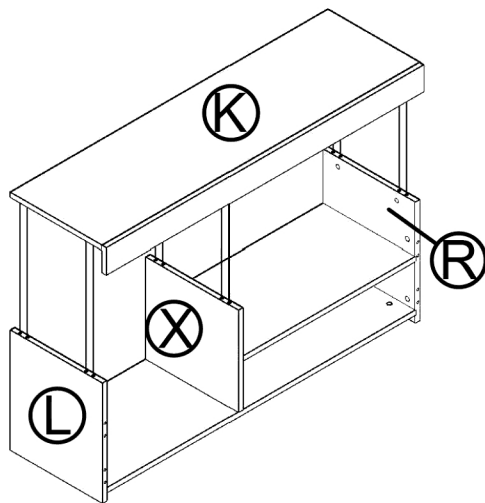
13



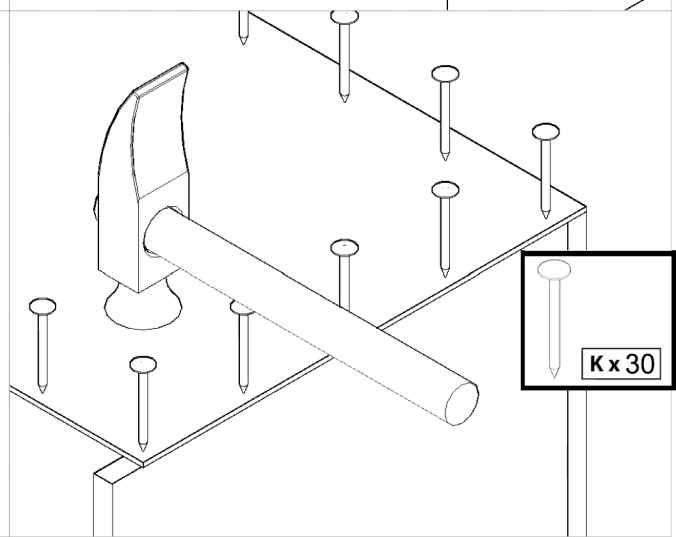
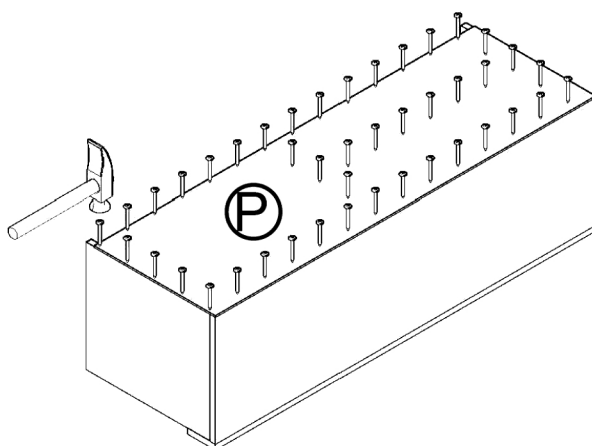
14



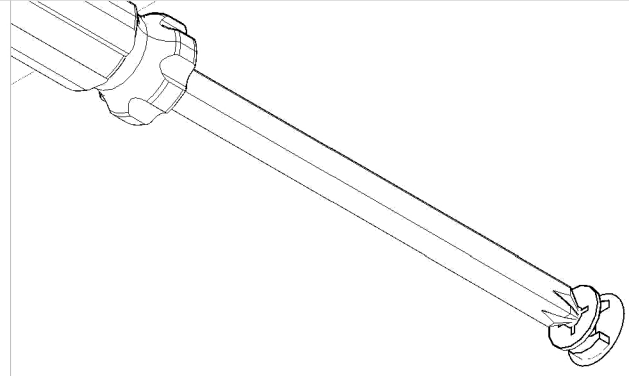
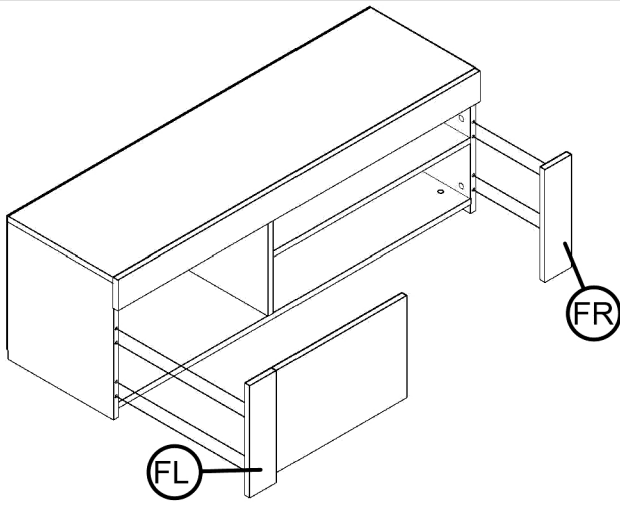
15



16



17



PLASTIC COVER CAPS FOR SCREWS

