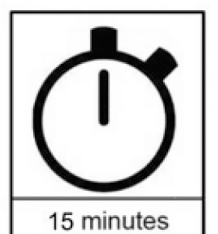
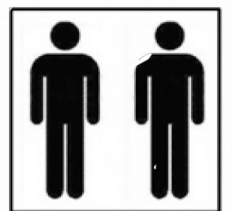
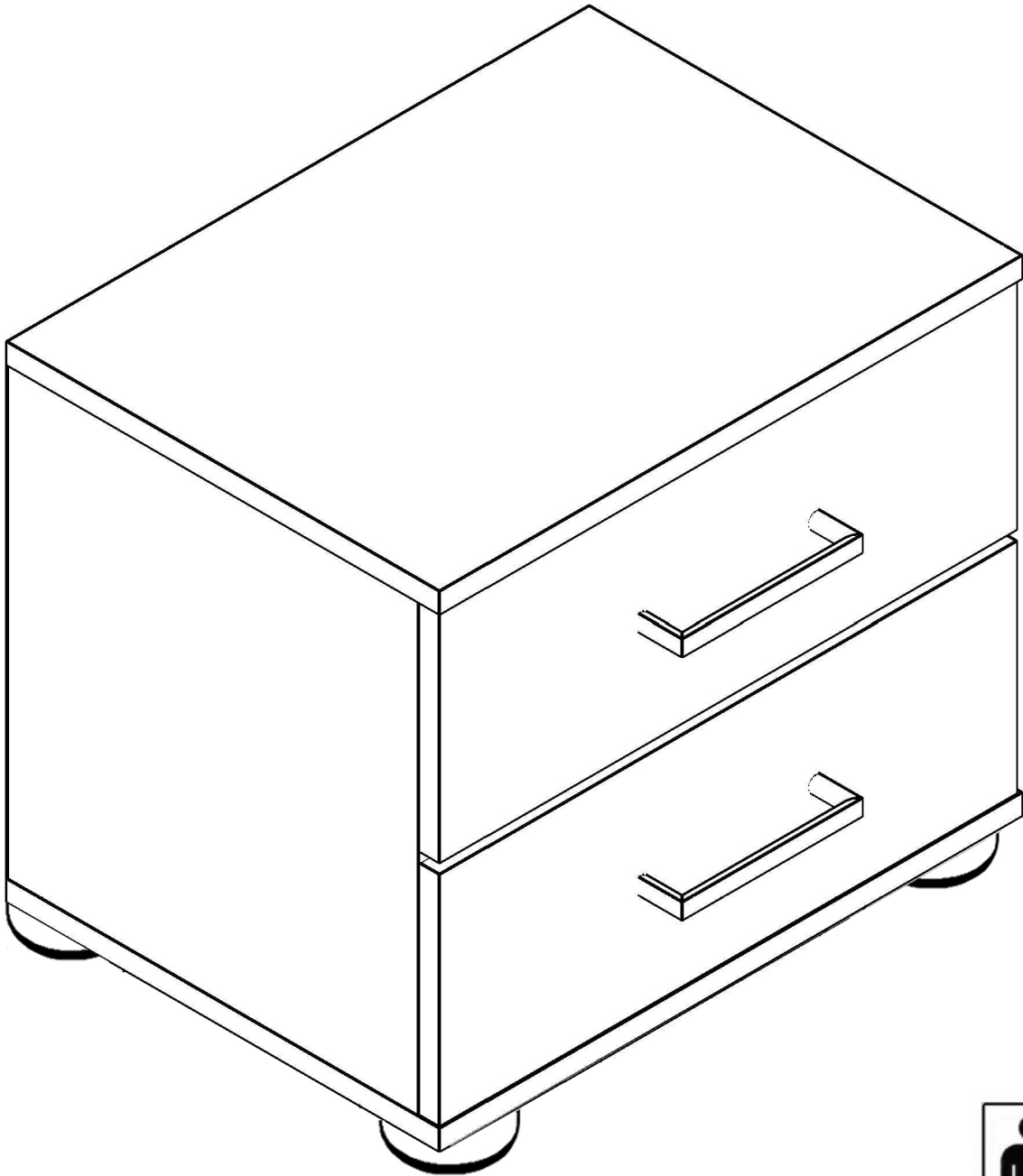
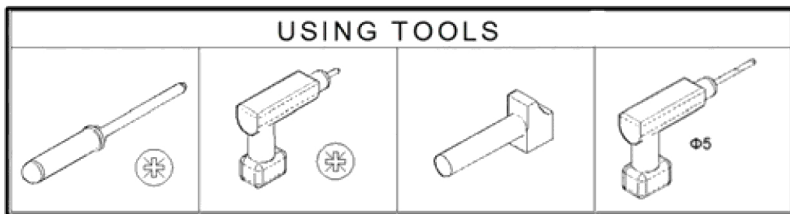
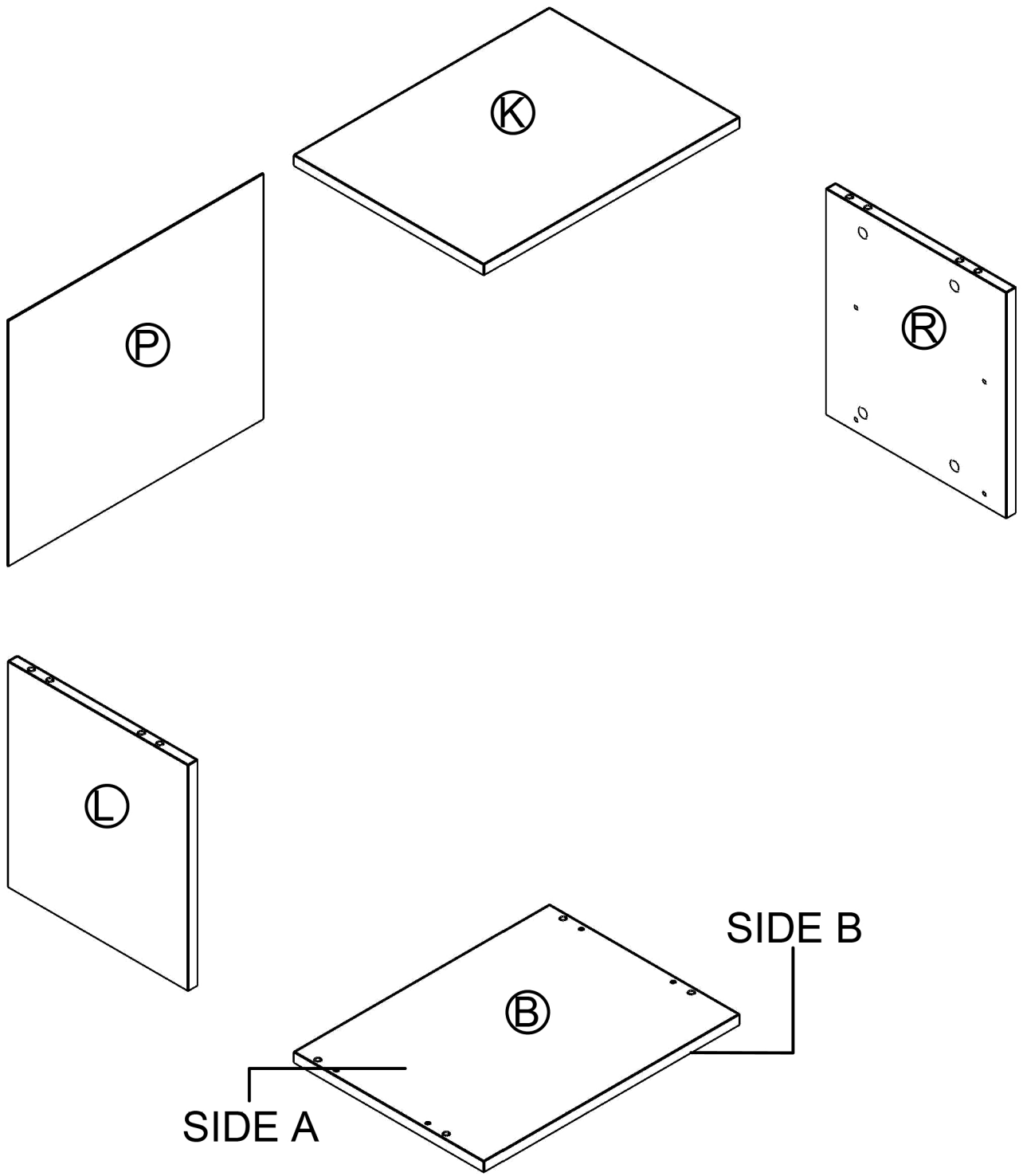




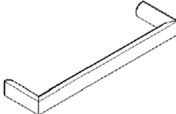







# GRK306

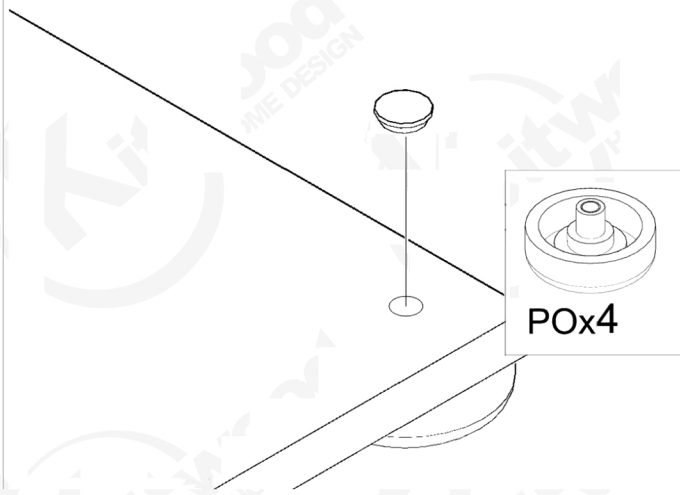
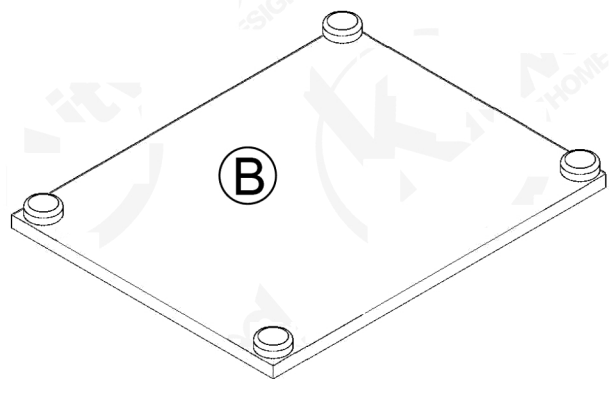




 P x 16	 K x 16	 F x 16	 N x 20	 H A x 2
 B 3 x 4	 P O x 4	 E x 8	 B 1 x 8	 O S x 2

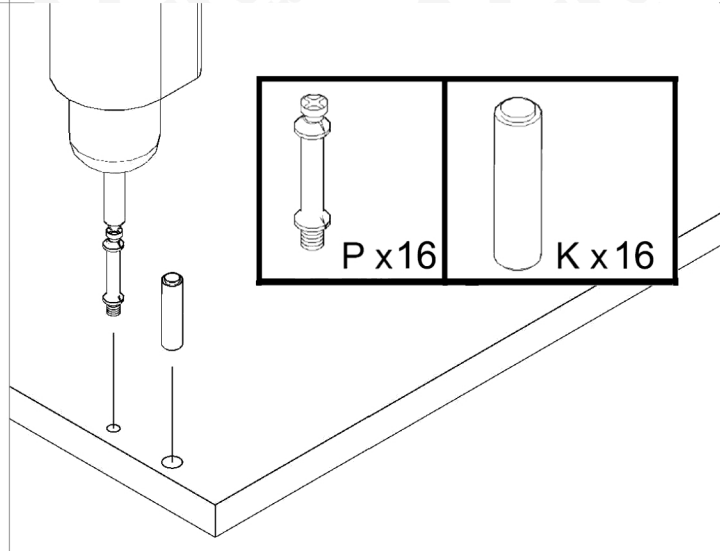
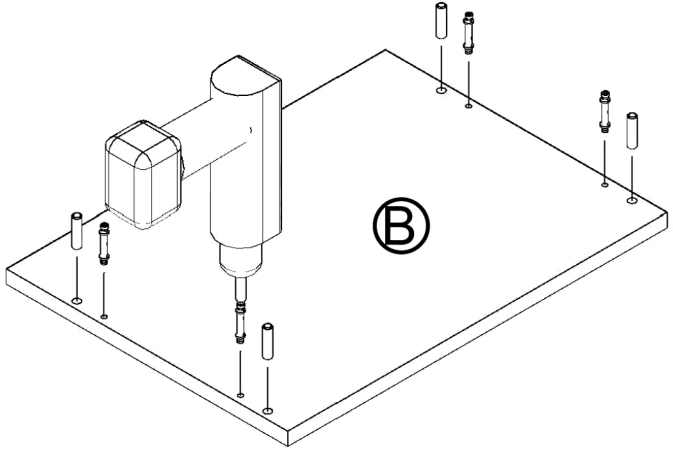
1

SIDE B

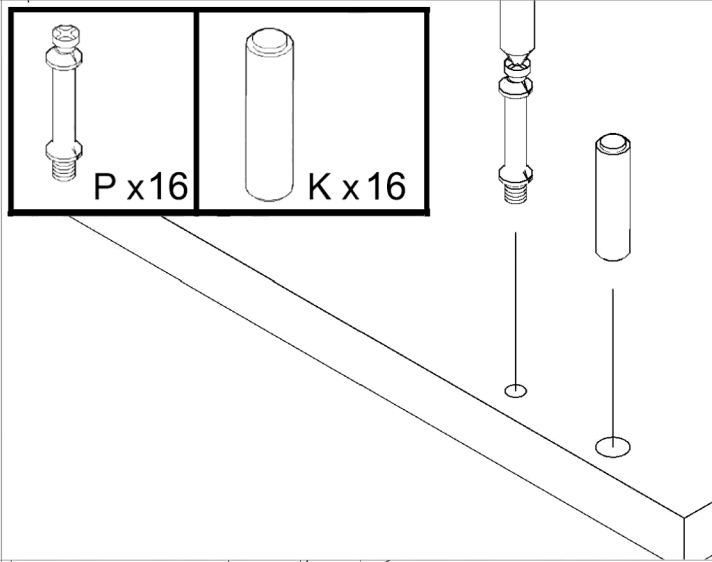
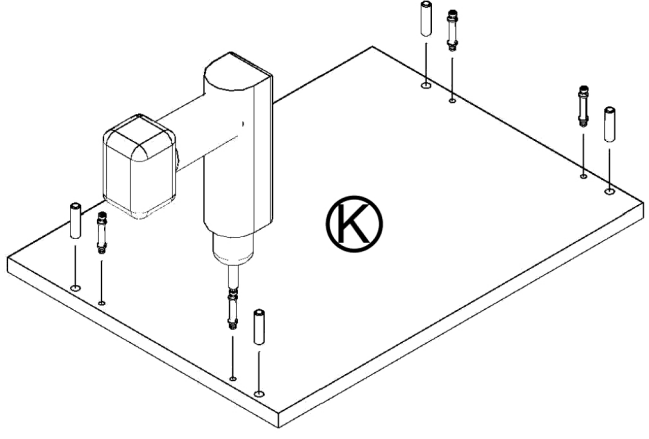


2

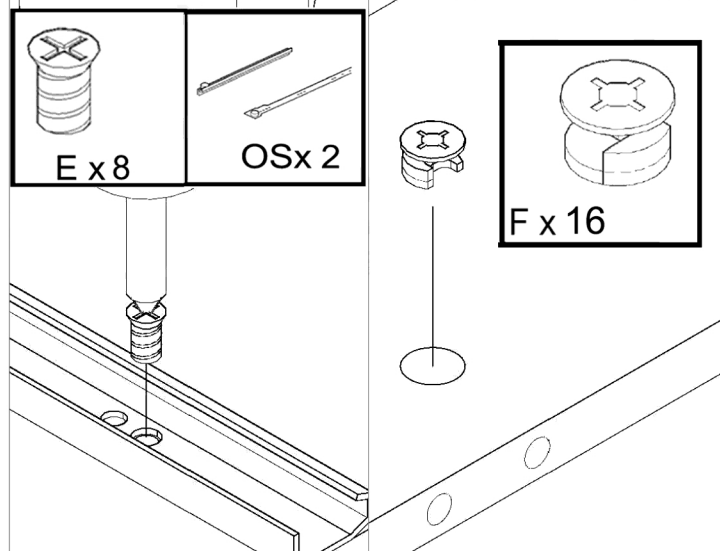
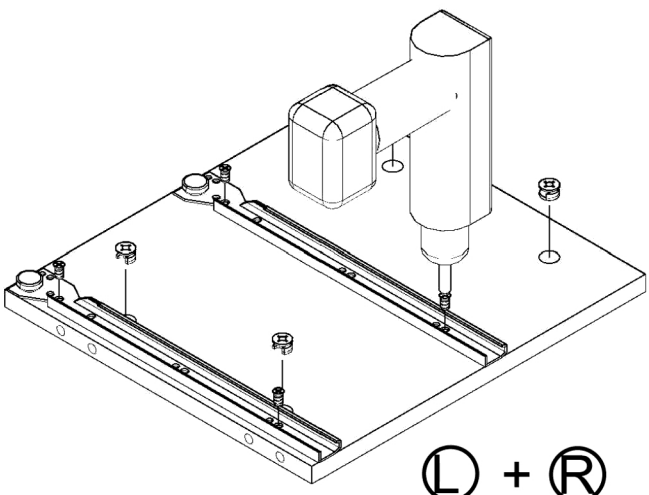
SIDE A



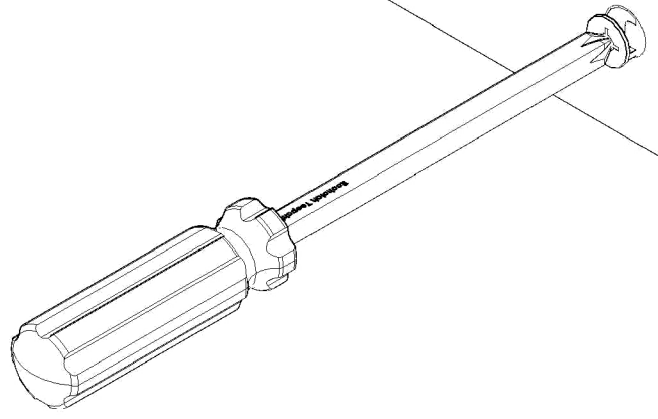
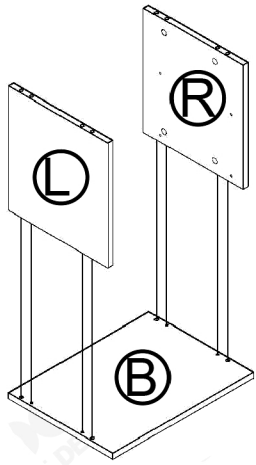
3



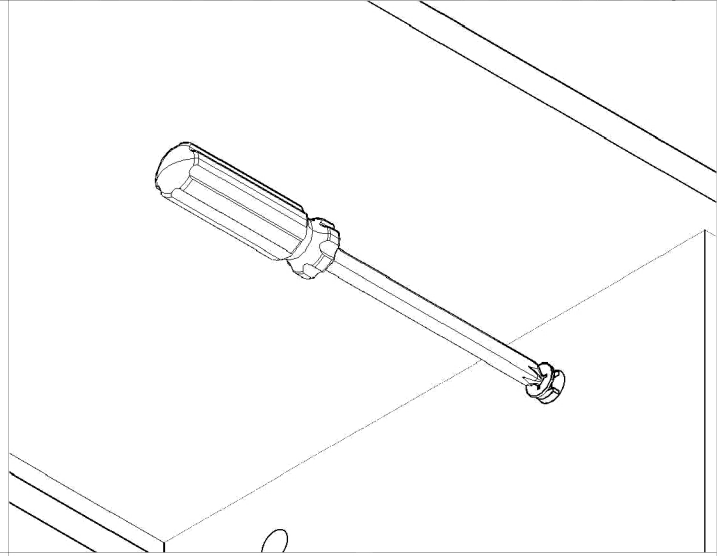
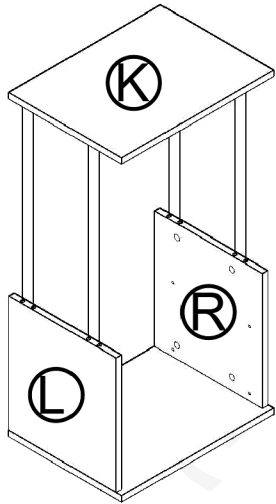
4



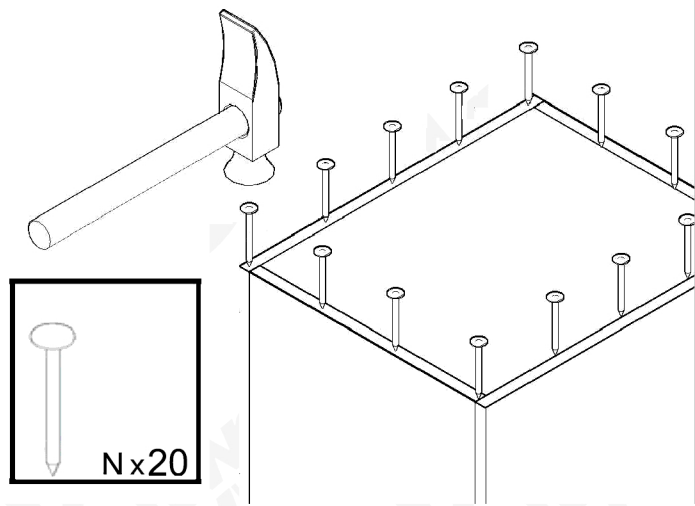
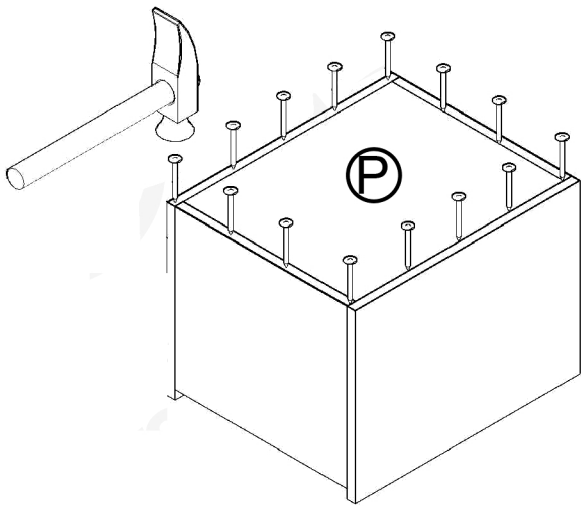
5



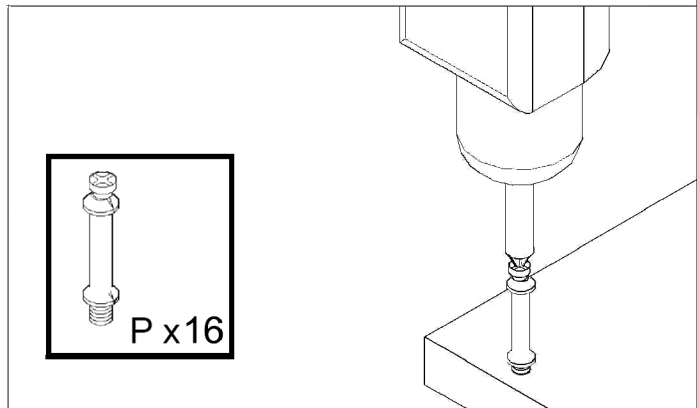
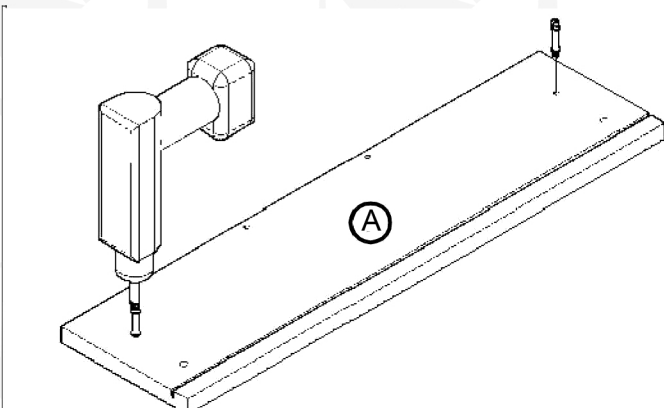
6



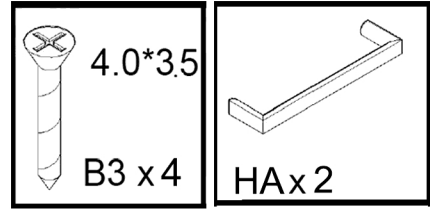
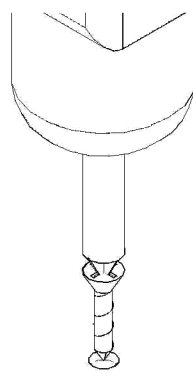
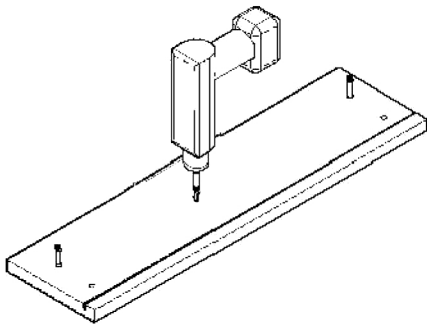
7



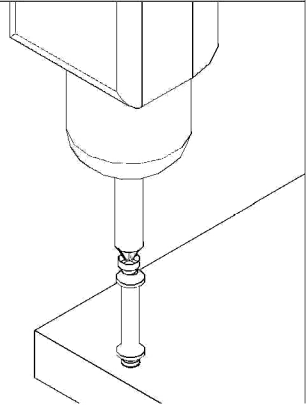
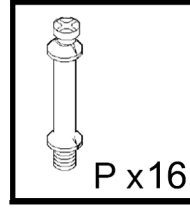
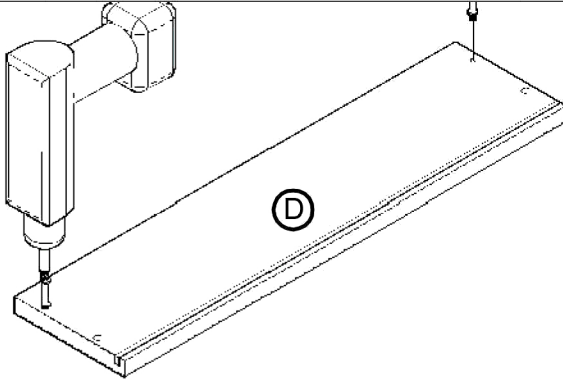
1



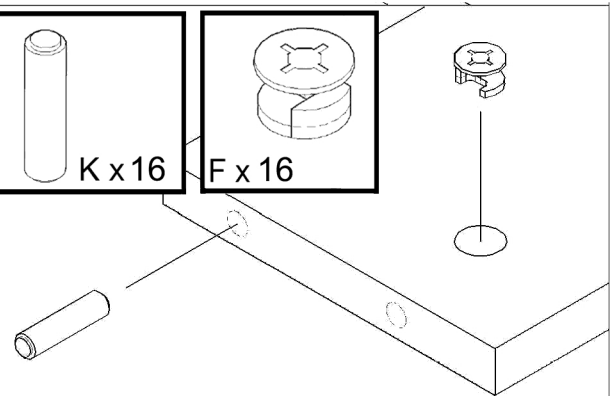
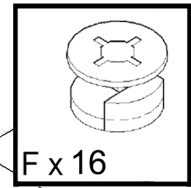
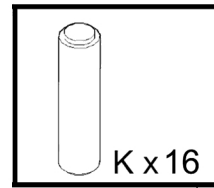
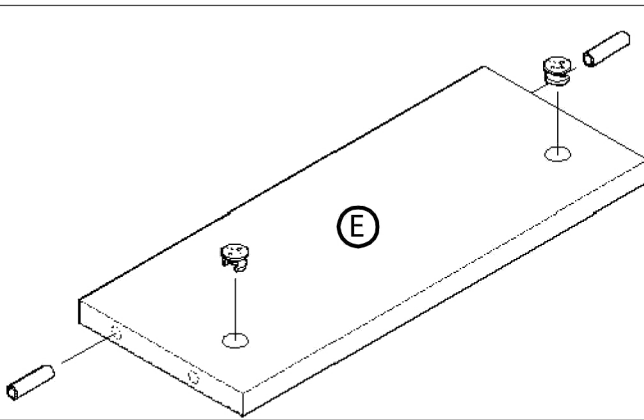
2



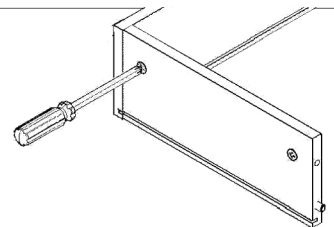
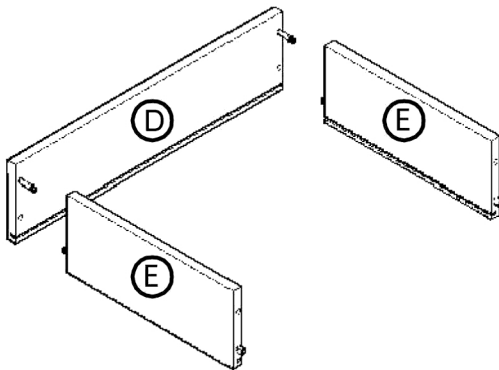
3



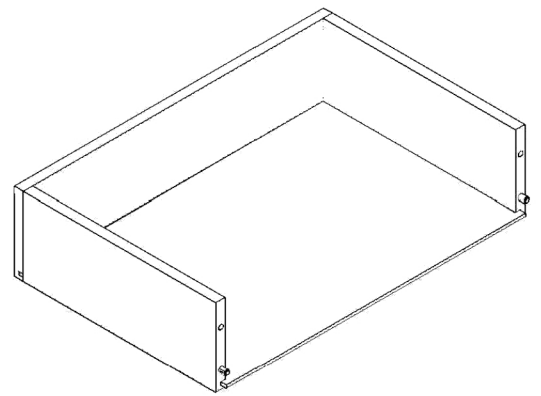
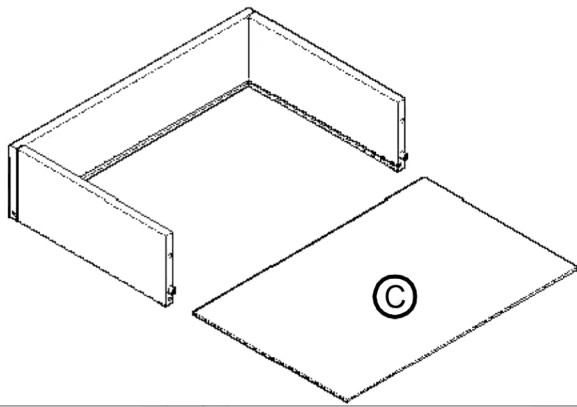
4



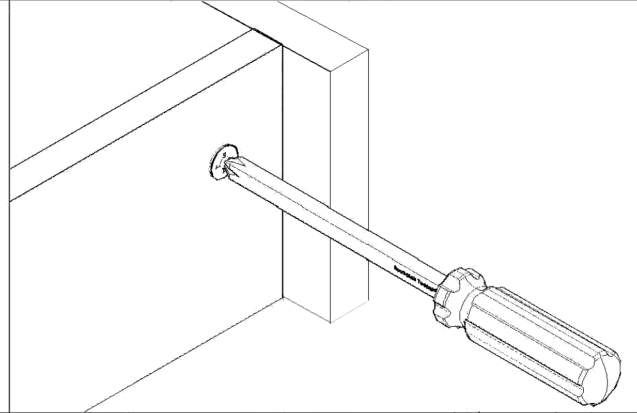
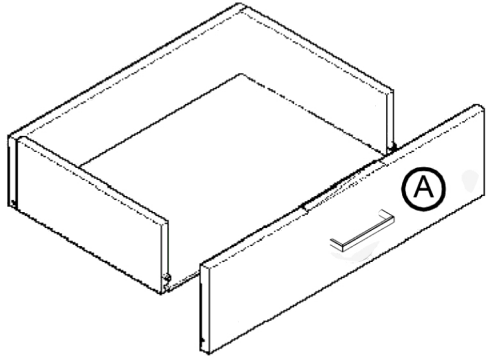
5



6



7



8

