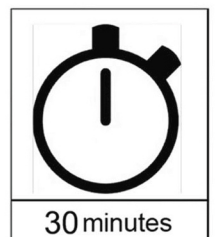
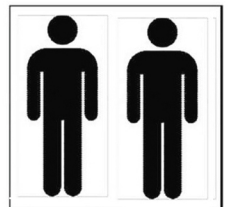
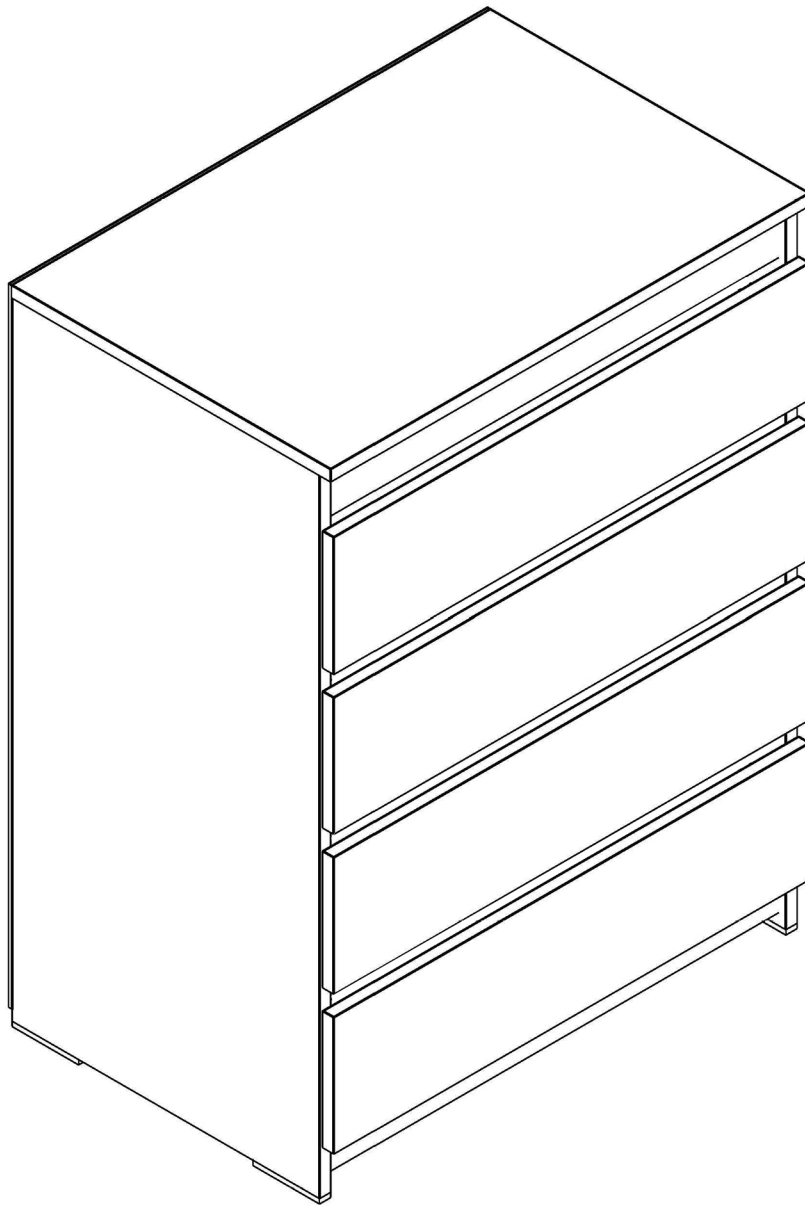
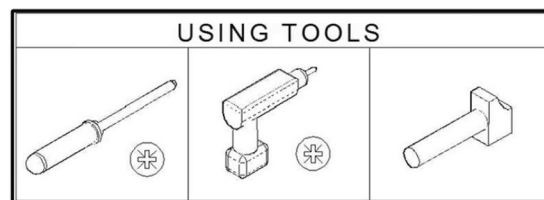
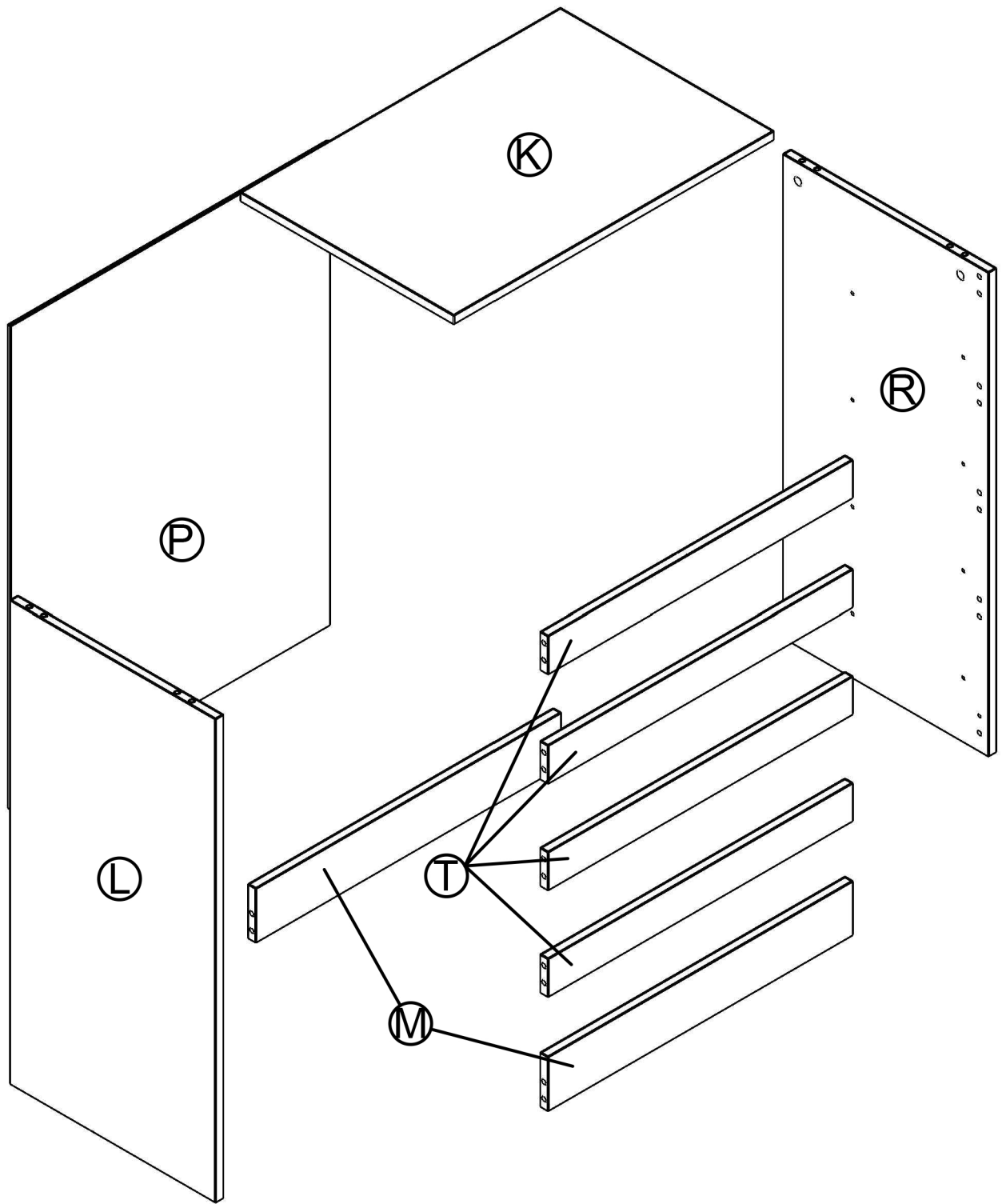


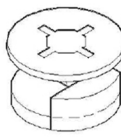

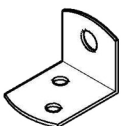

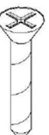

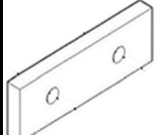



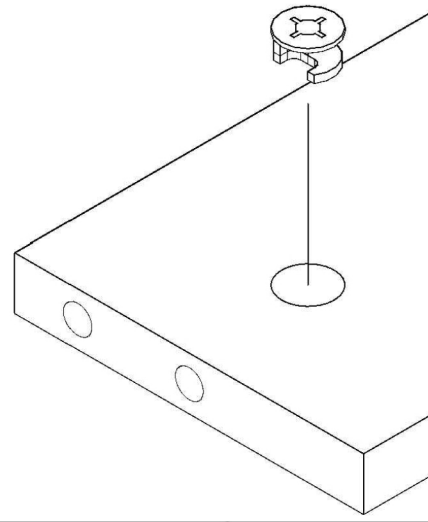
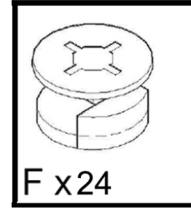
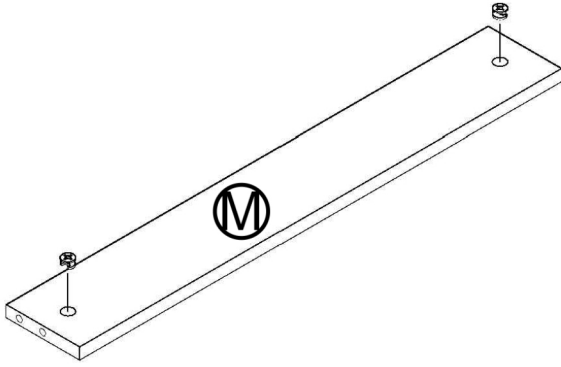
GRK409



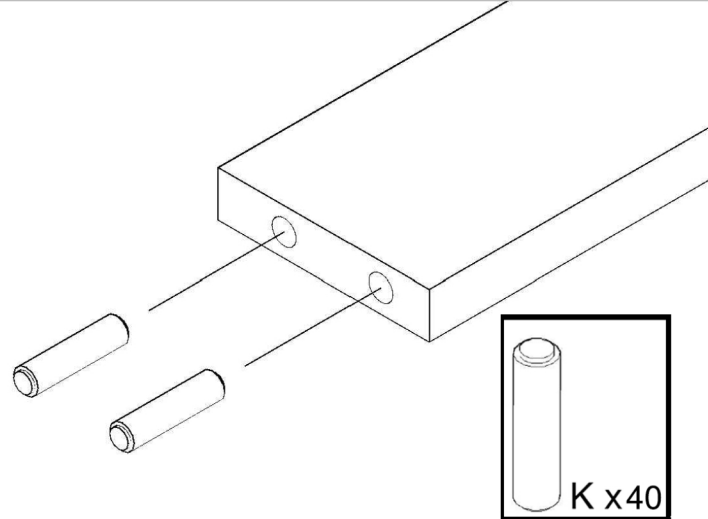
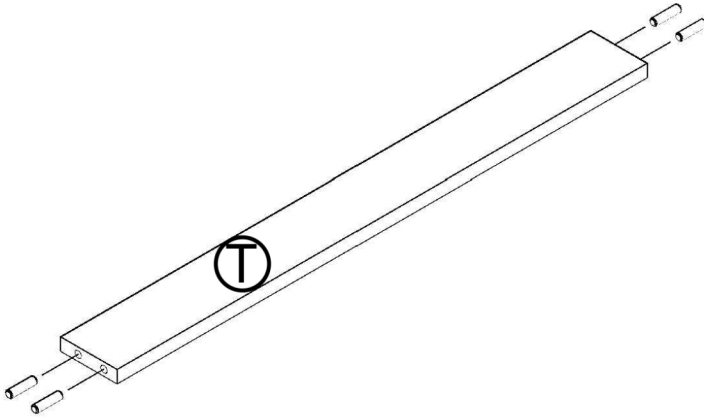


 P x 24	 K x 40	 F x 24	 N x 20	 Gx1
 E x 16	 3.5*16 B1 x 18	 OM x 4	 BAP x 4	 4.0*20 B7 x 8

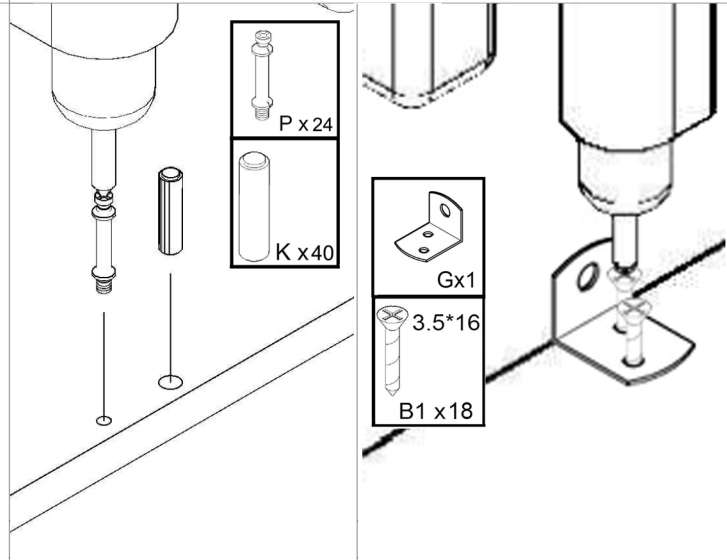
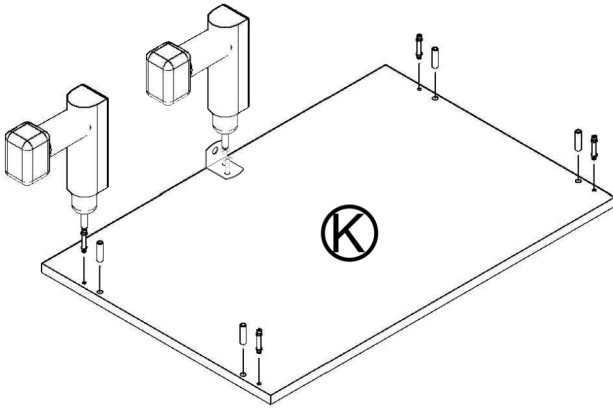
1



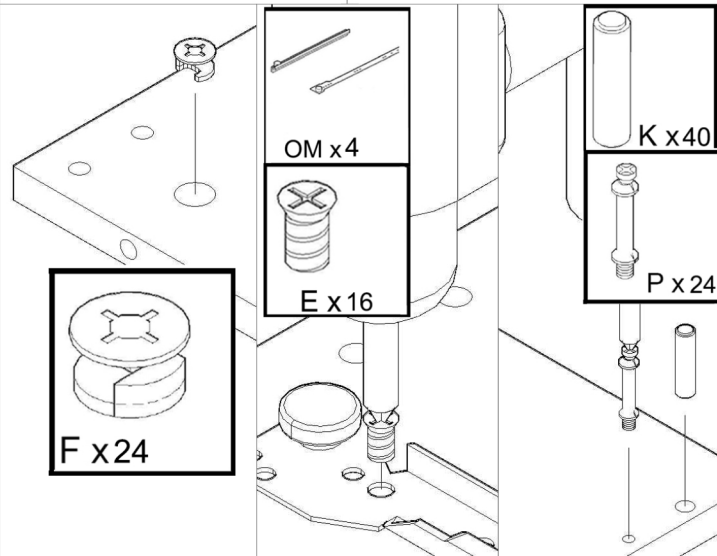
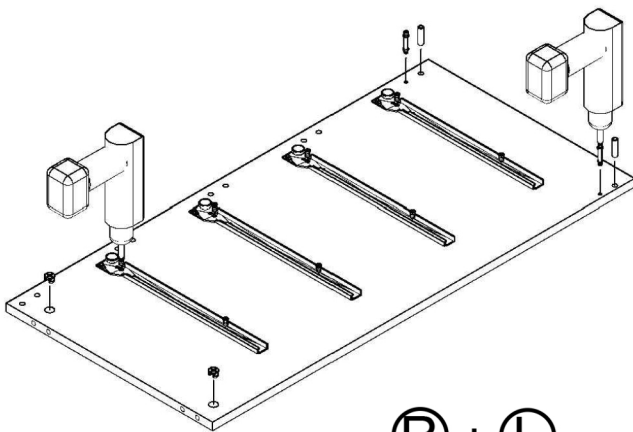
2



3

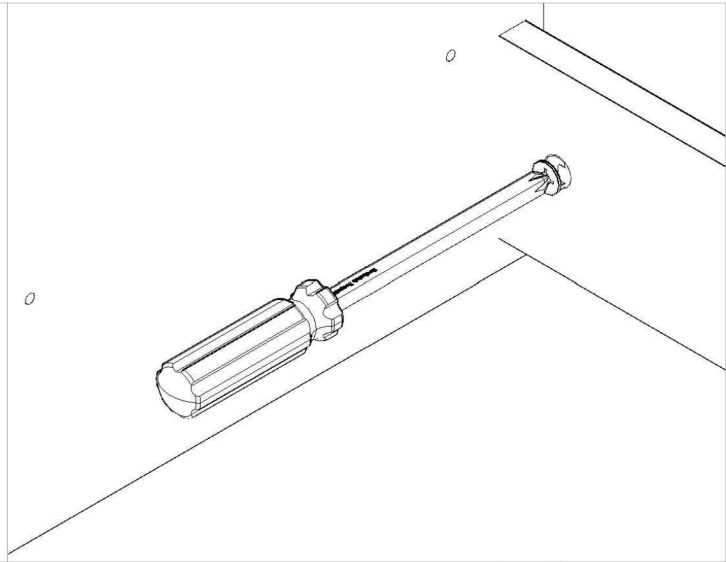
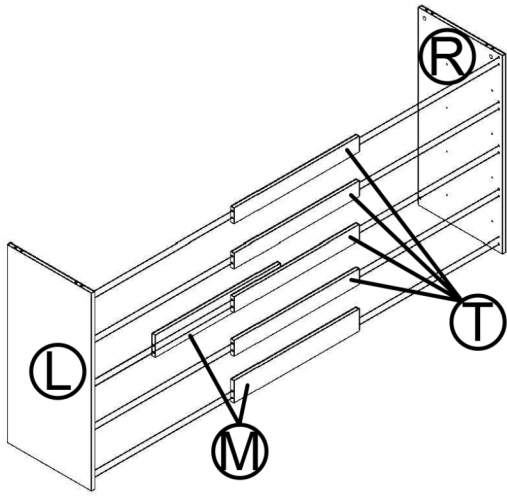


4

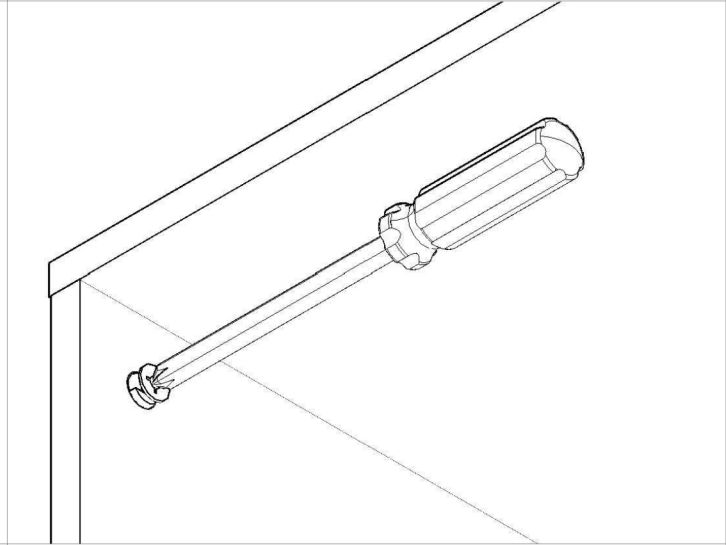
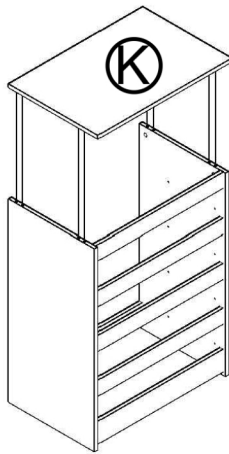


Ⓜ + Ⓛ

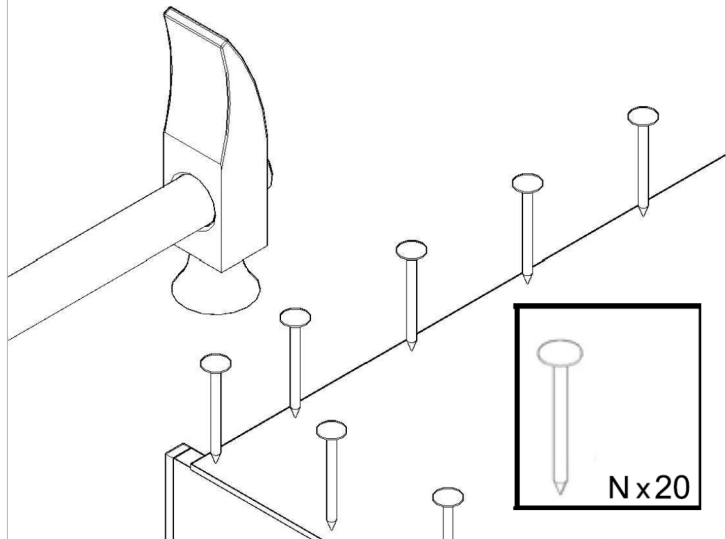
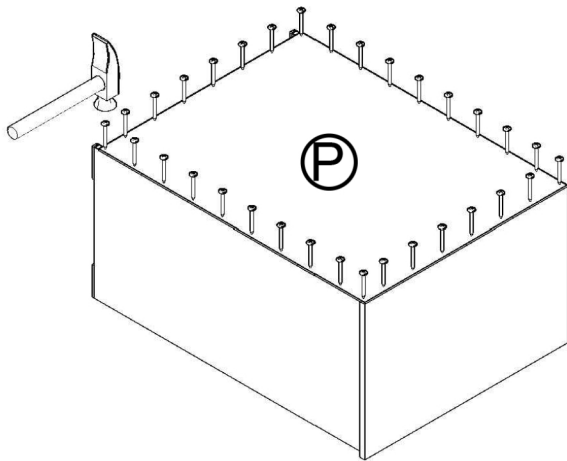
5



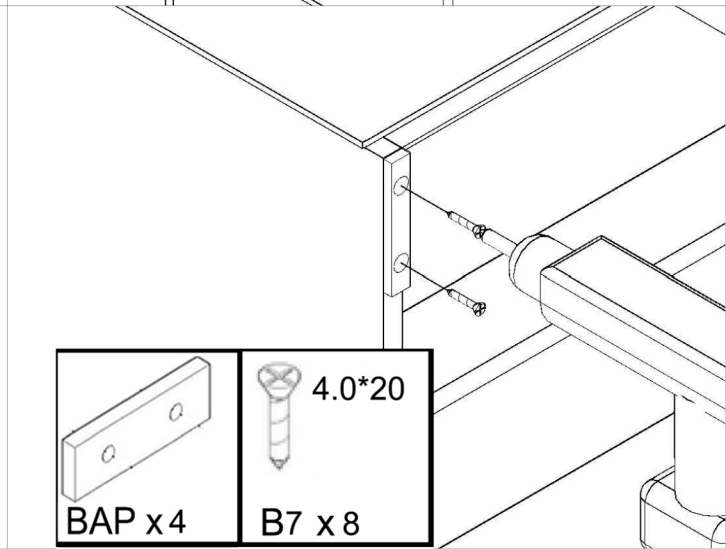
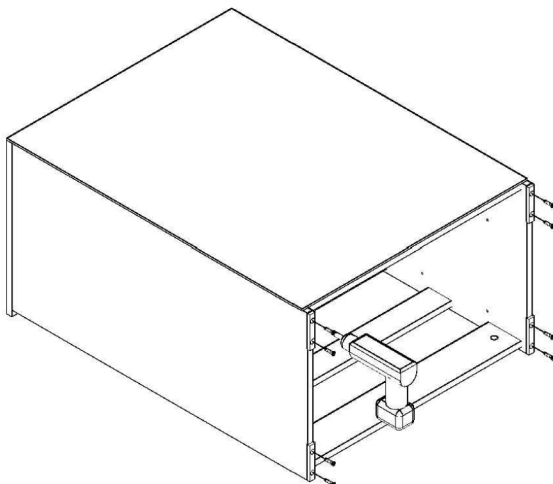
6



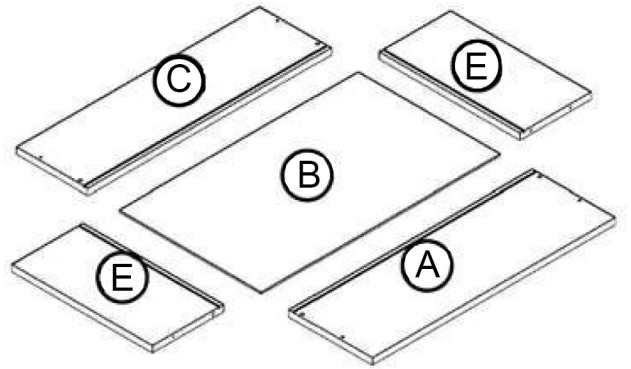
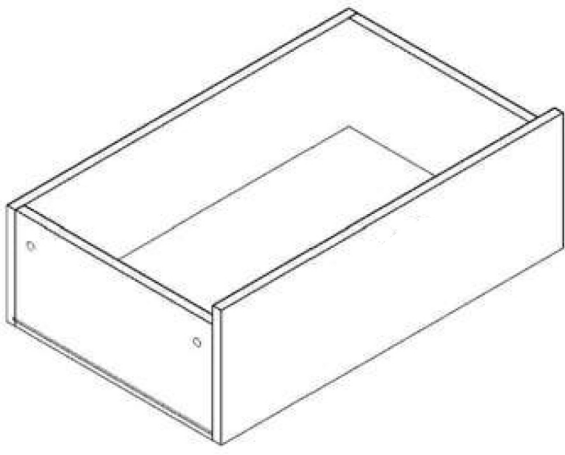
7



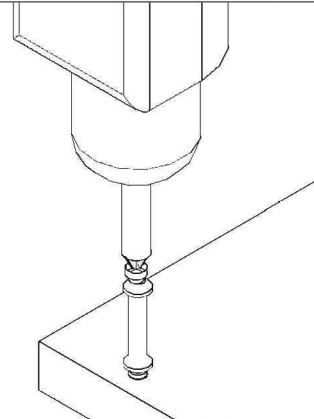
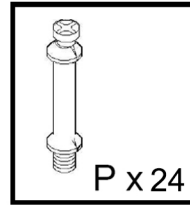
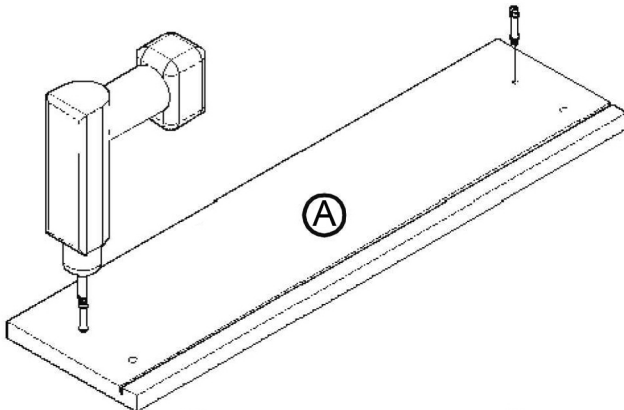
8



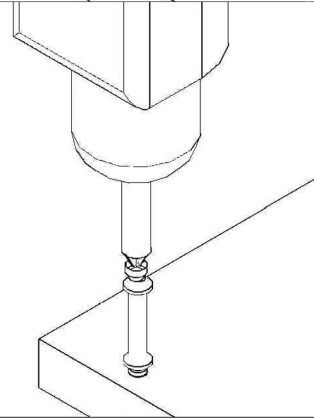
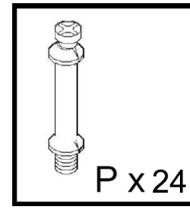
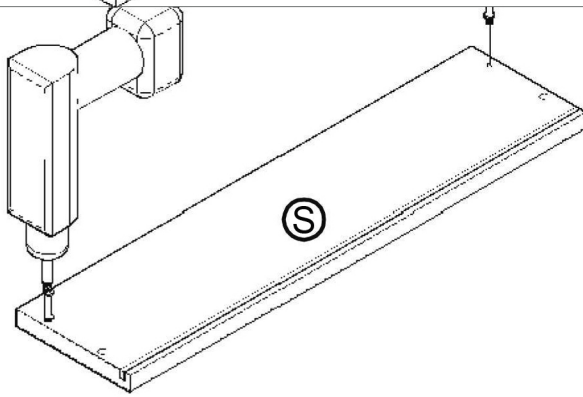
1



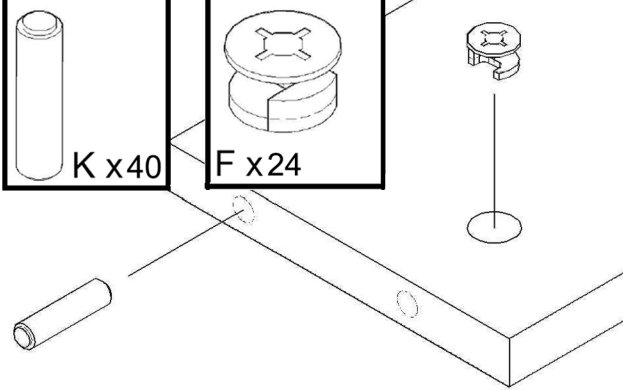
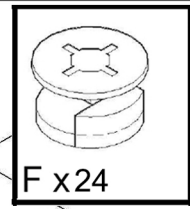
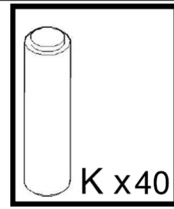
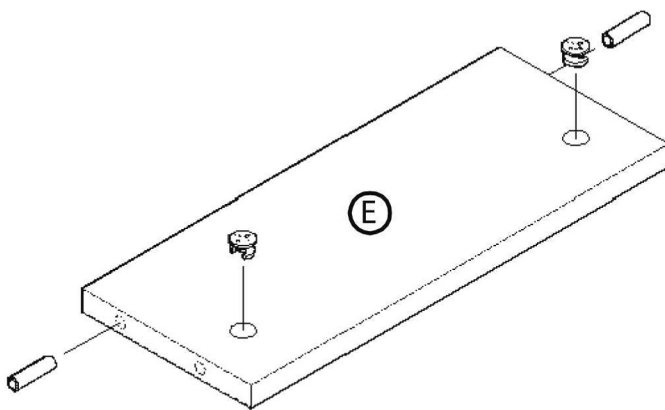
2



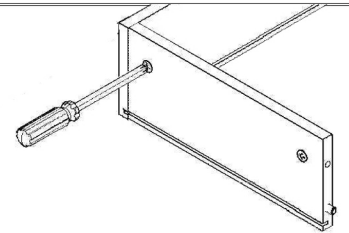
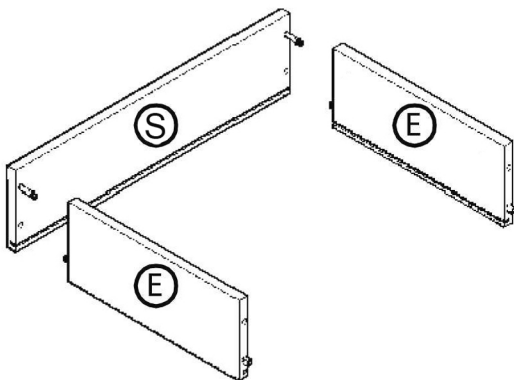
3



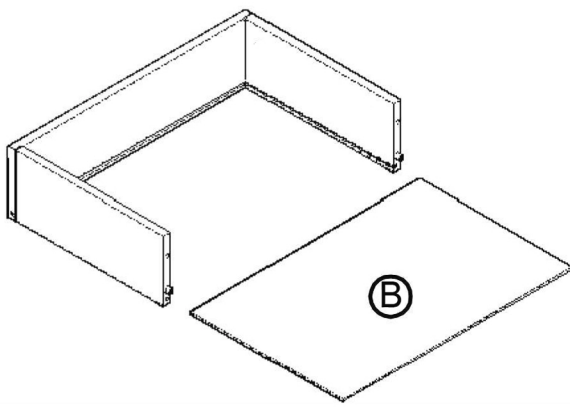
4



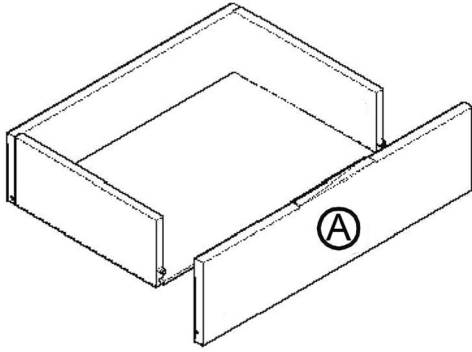
5



6



7



8

