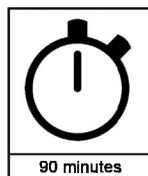
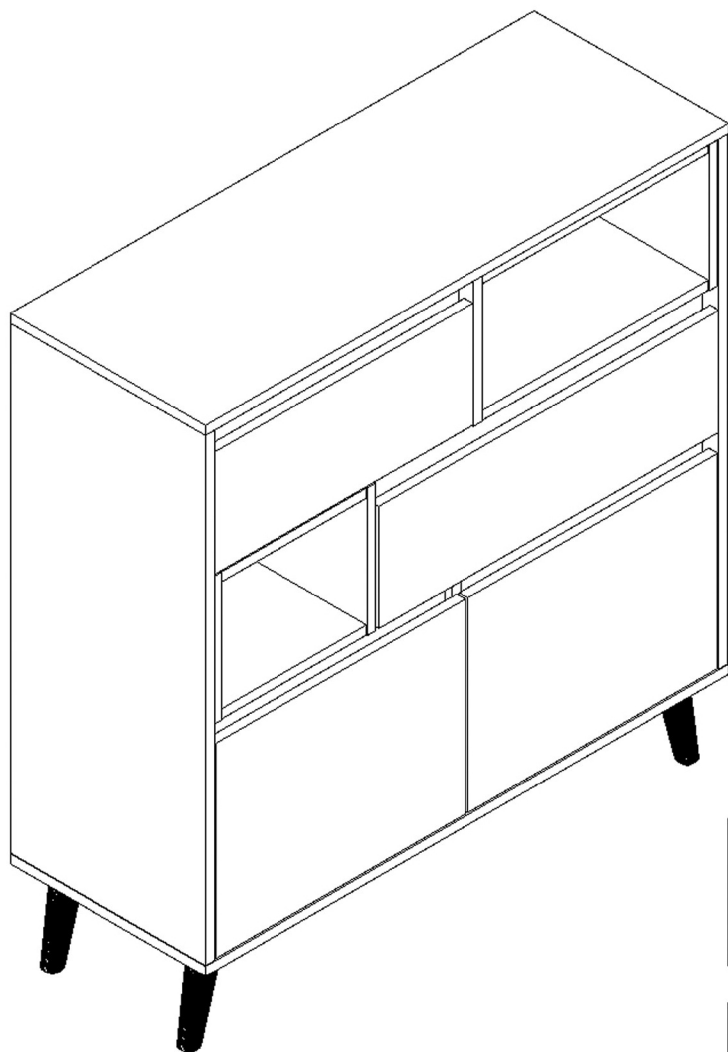
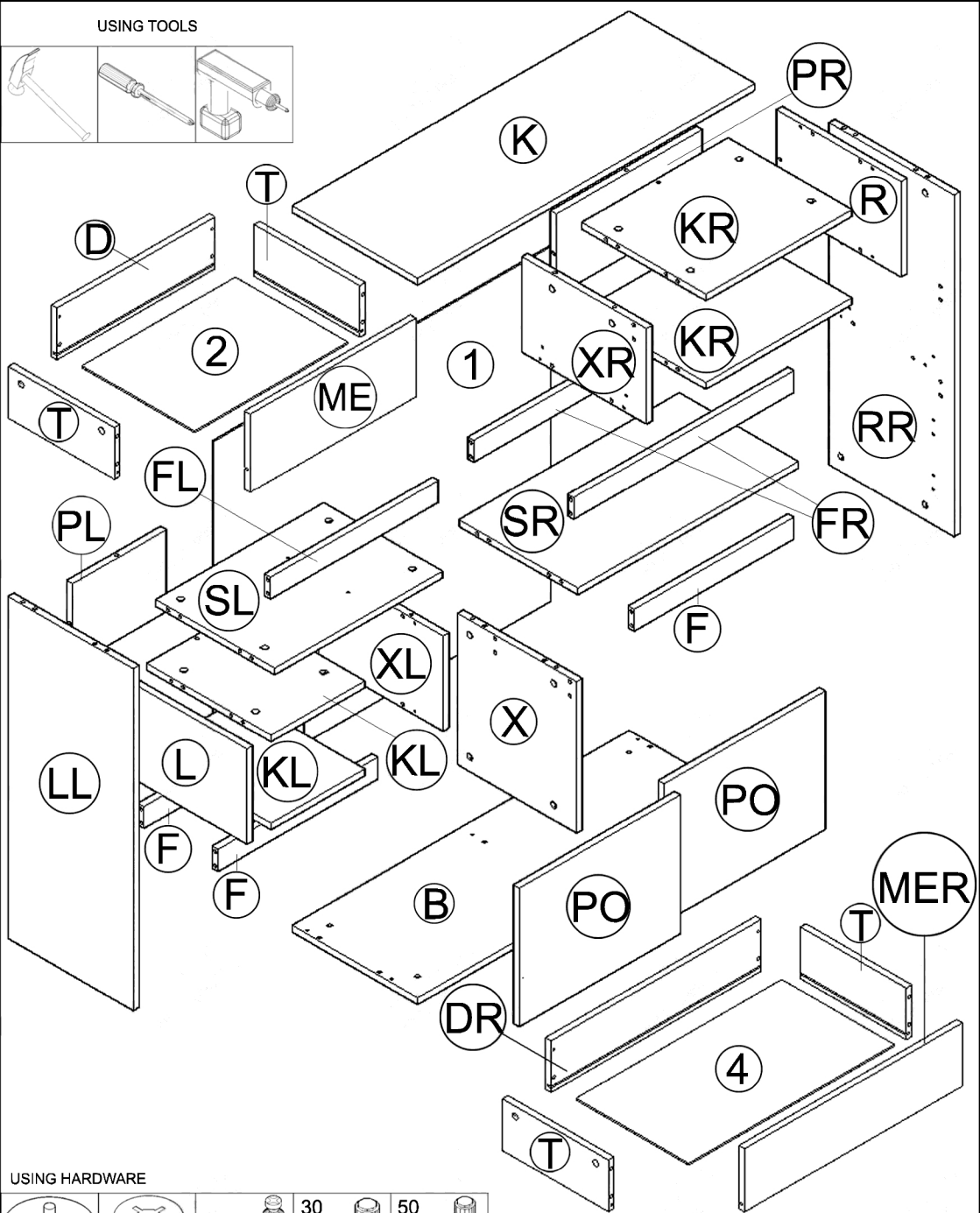
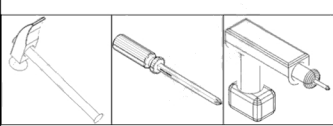


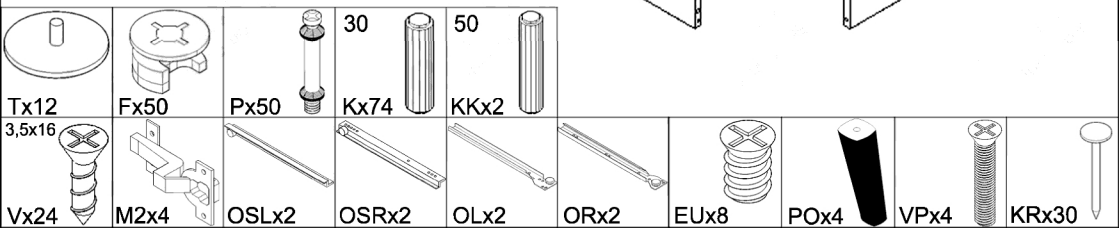
GRK 431



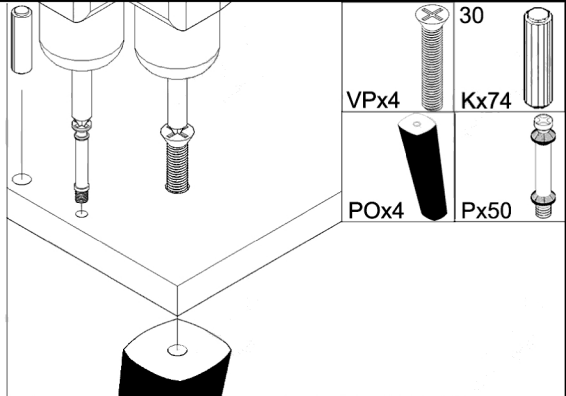
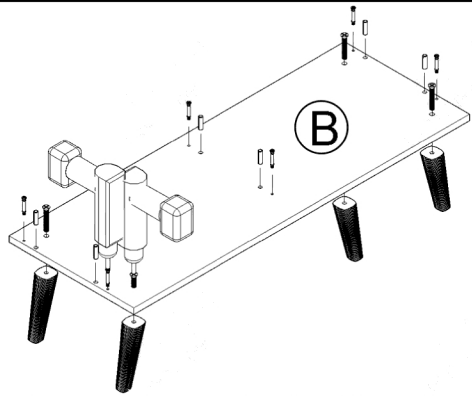
USING TOOLS



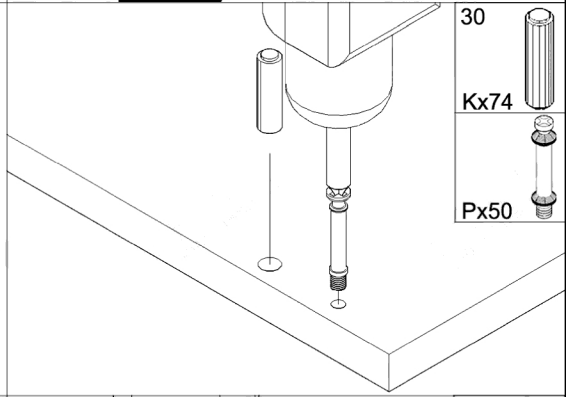
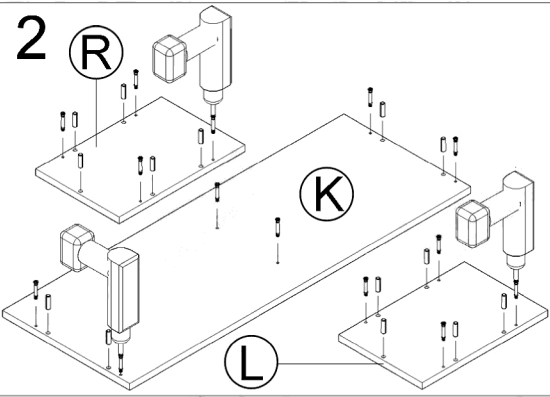
USING HARDWARE



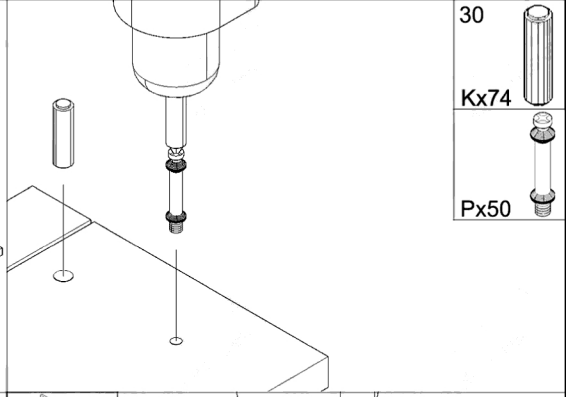
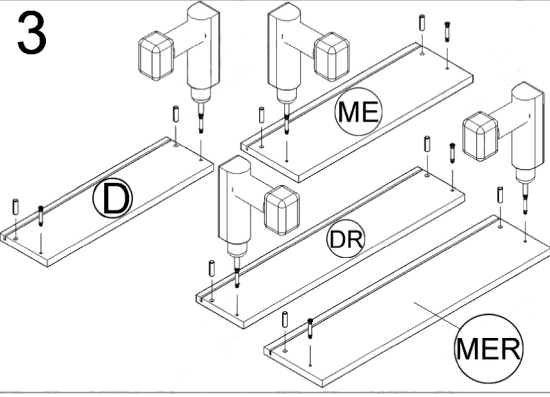
1



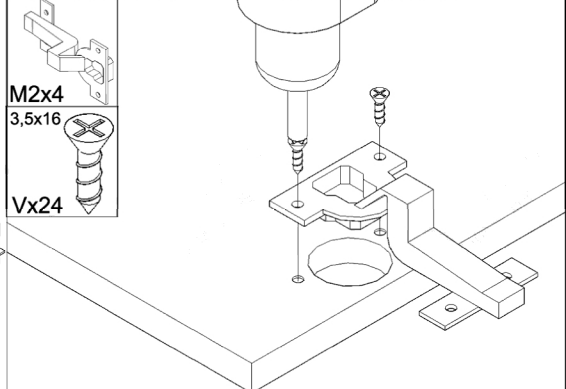
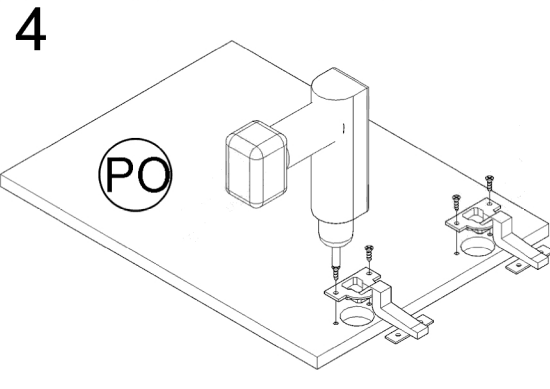
2

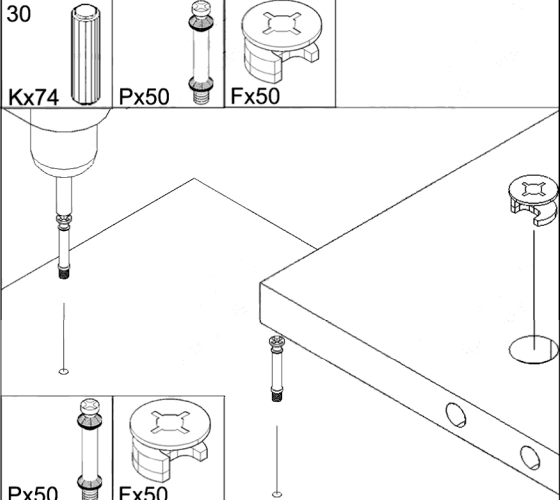
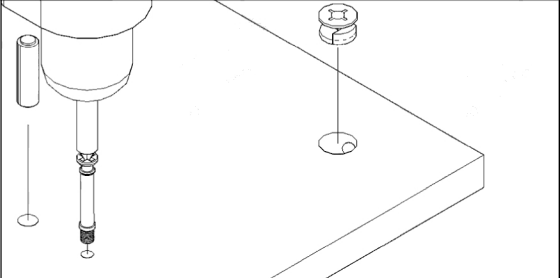
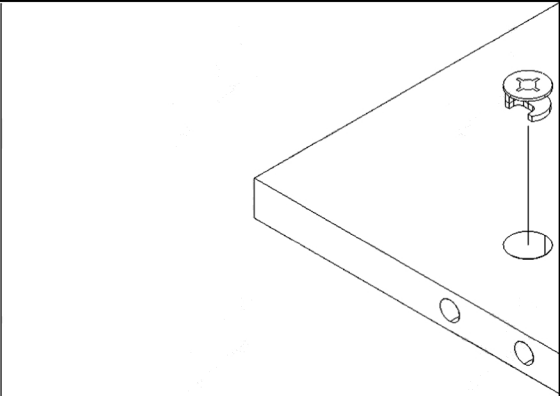
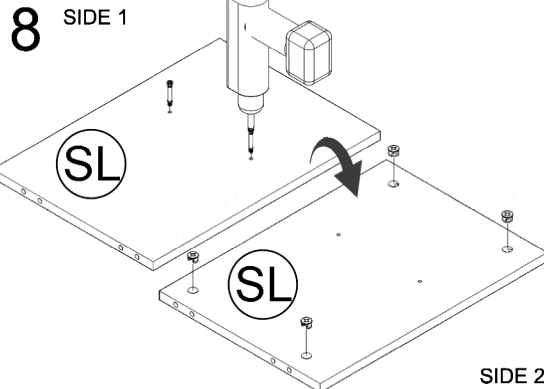
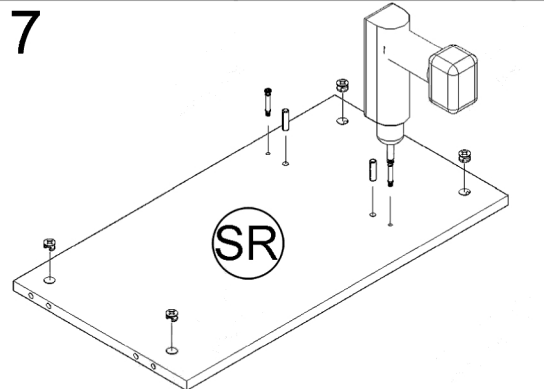
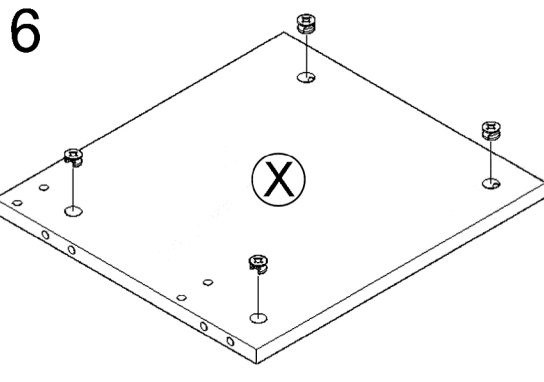
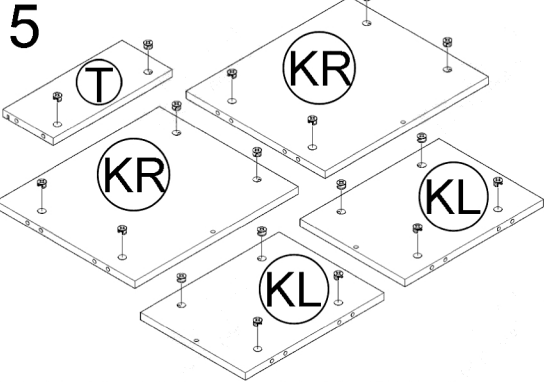


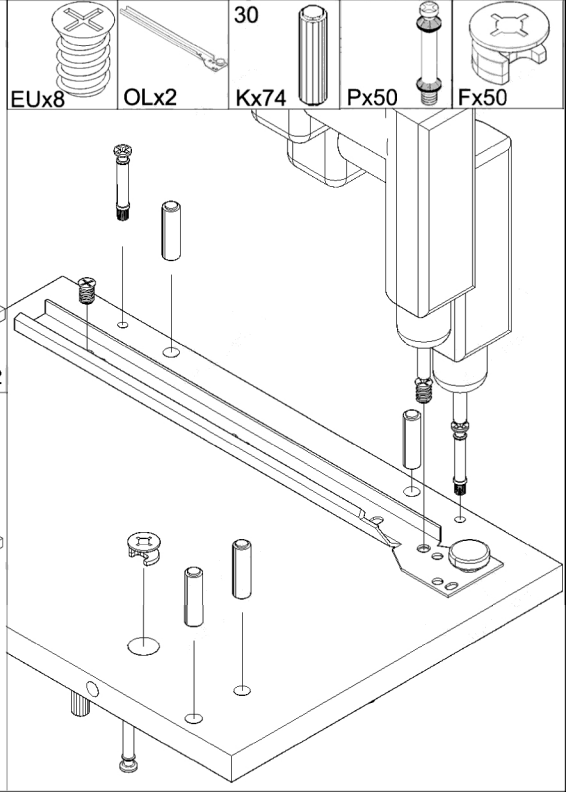
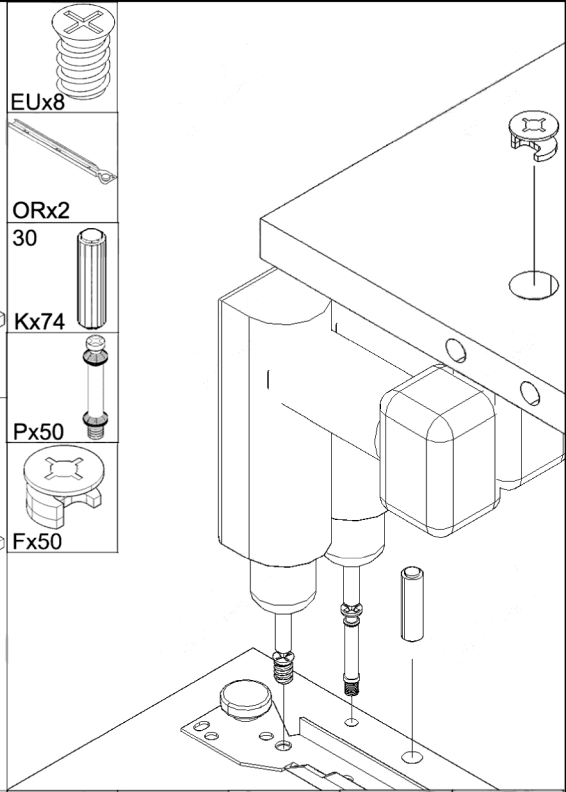
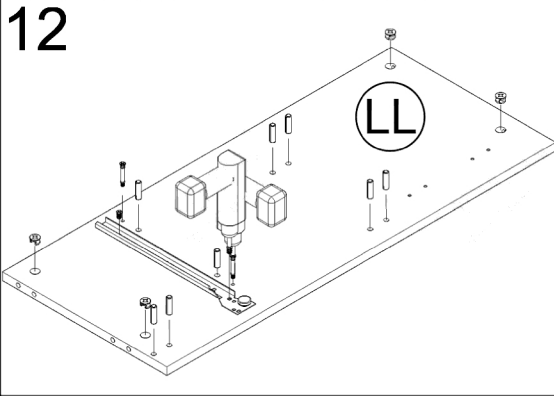
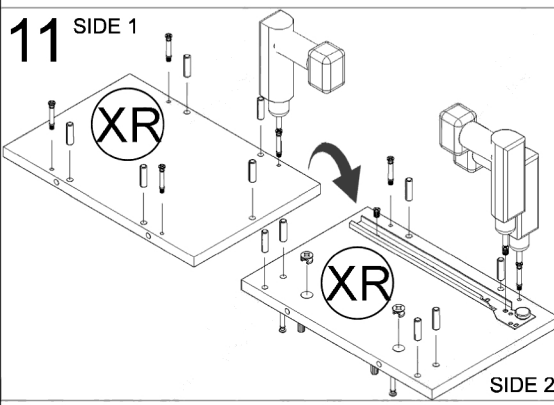
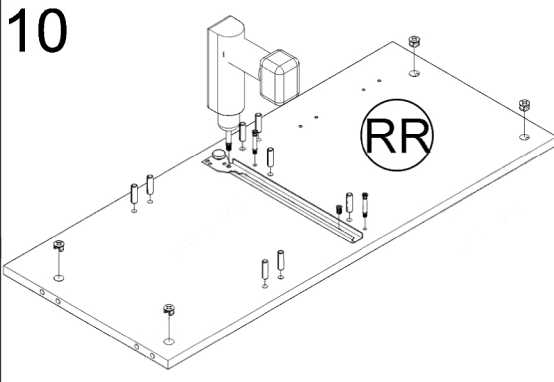
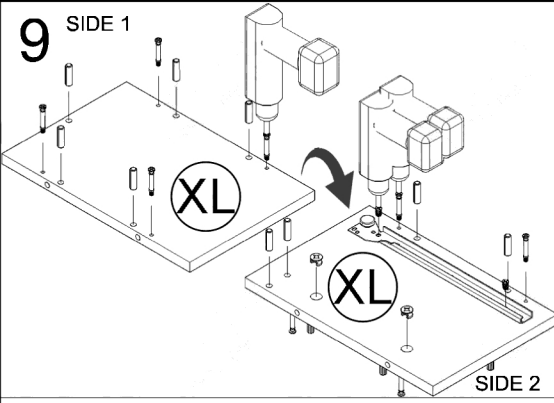
3



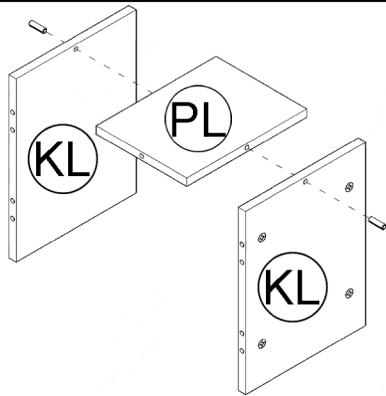
4



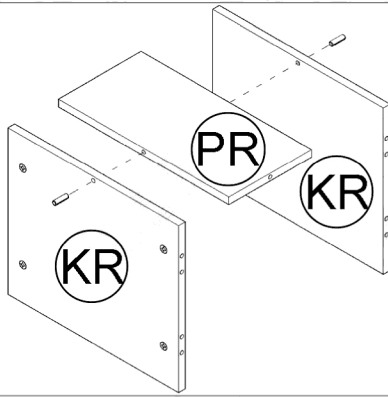




13

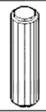


14

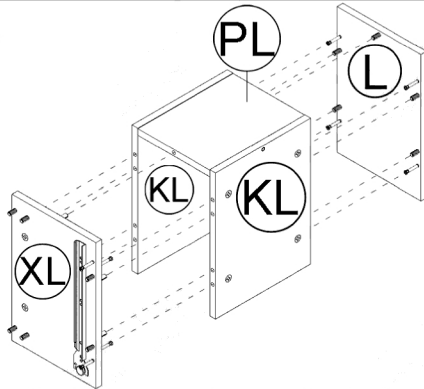


30

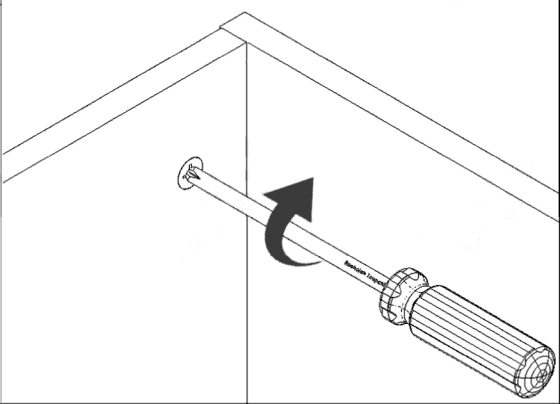
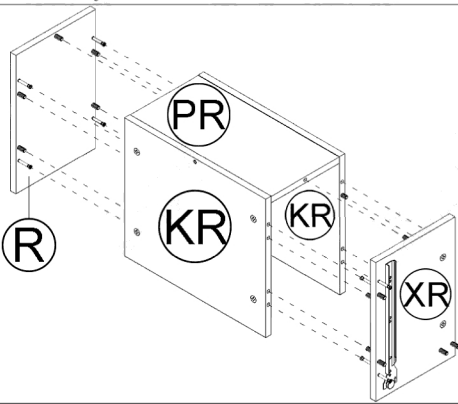
Kx74



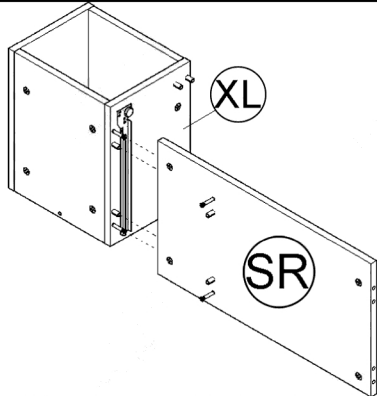
15



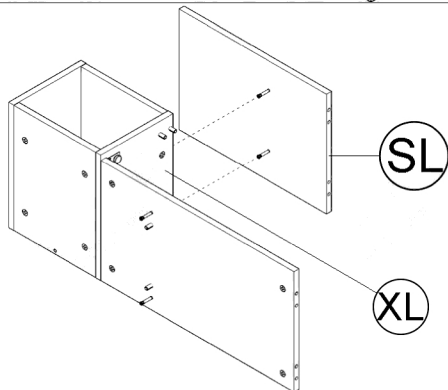
16



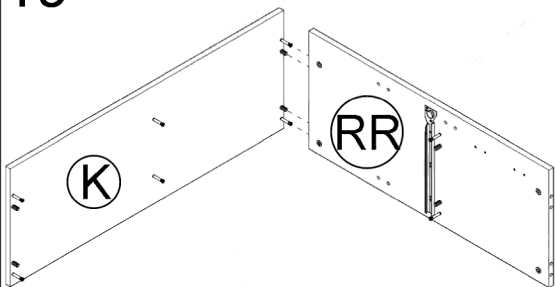
17



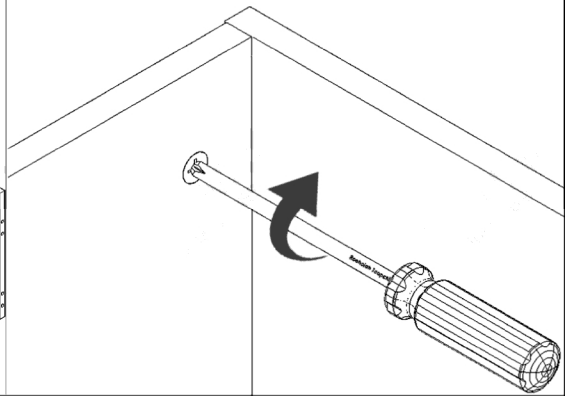
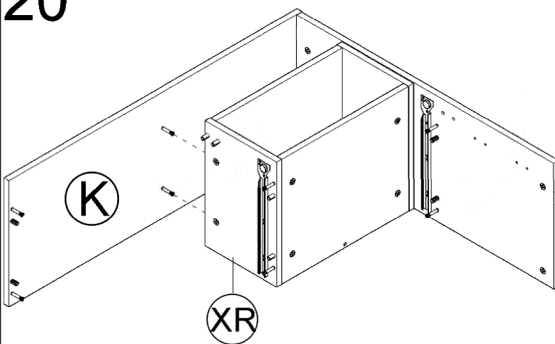
18

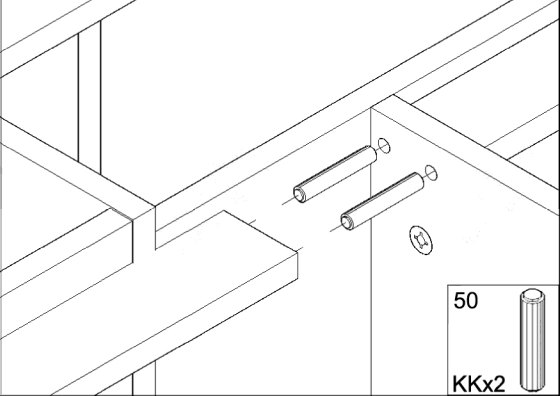
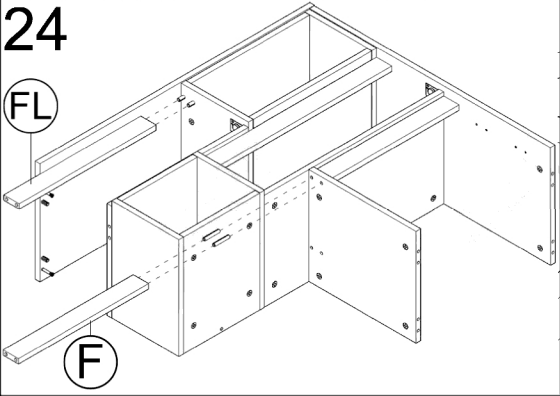
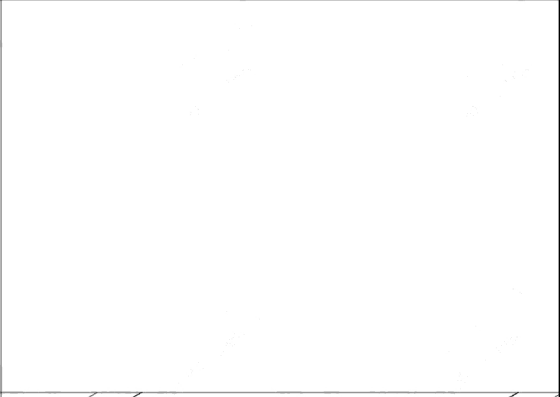
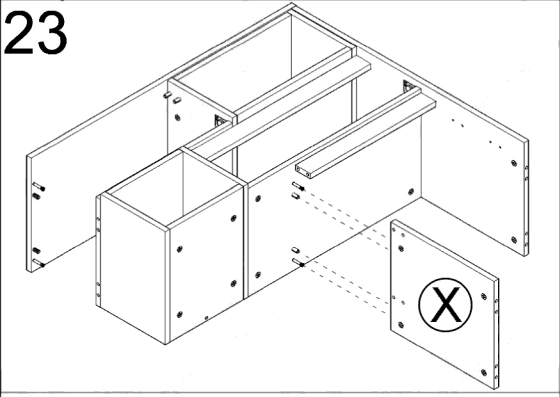
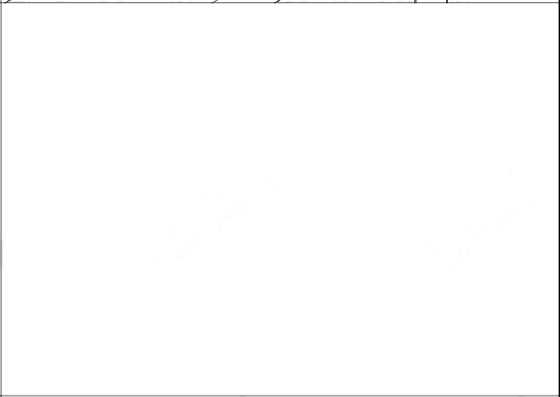
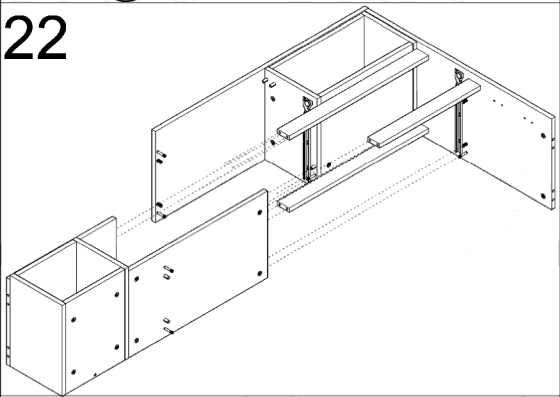
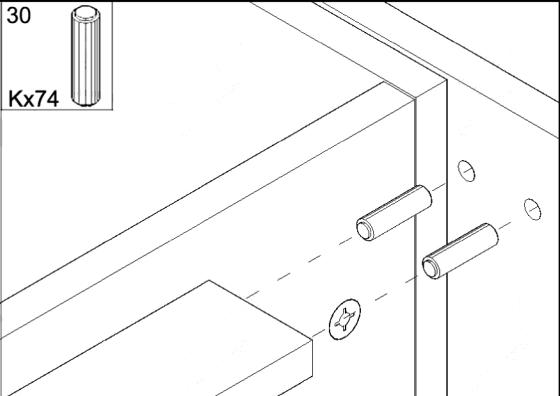
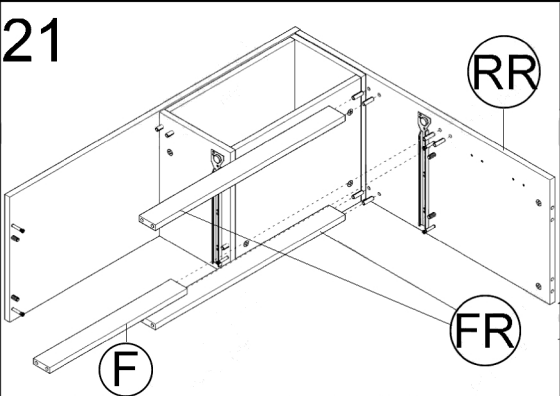


19

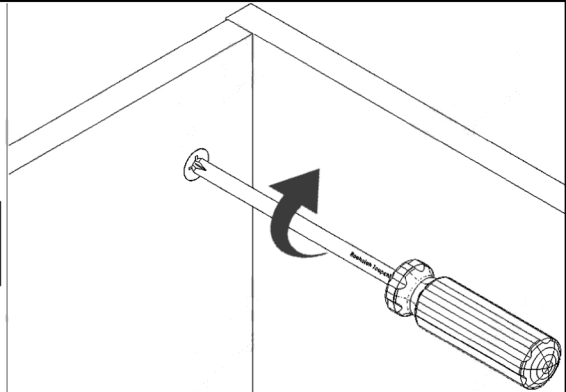
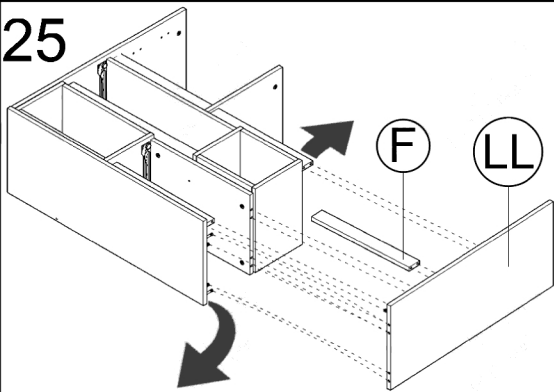


20

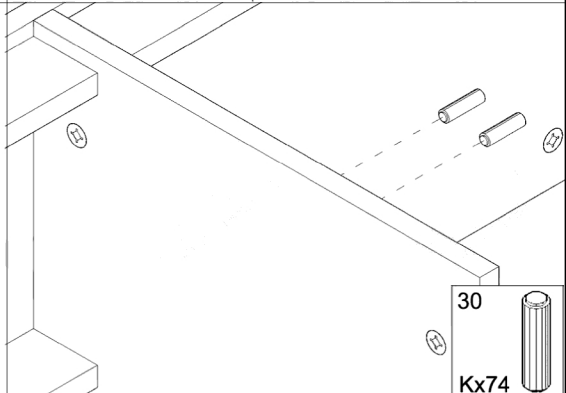
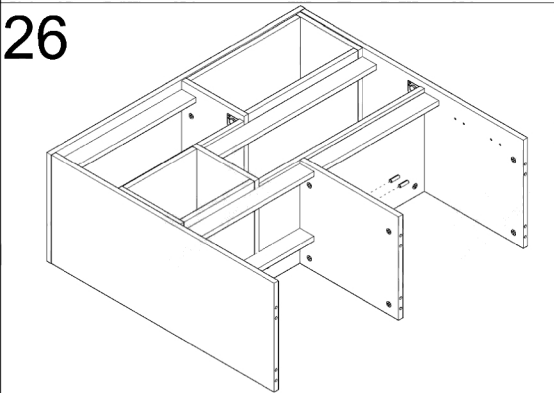




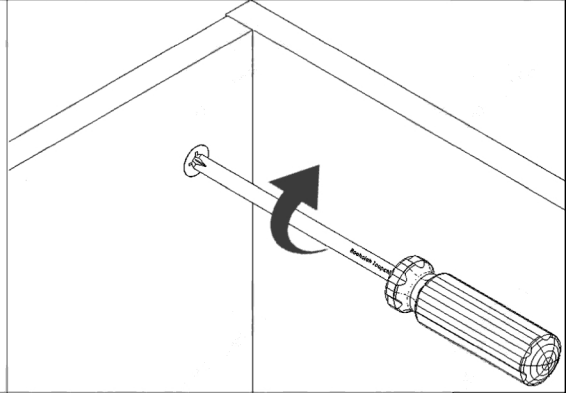
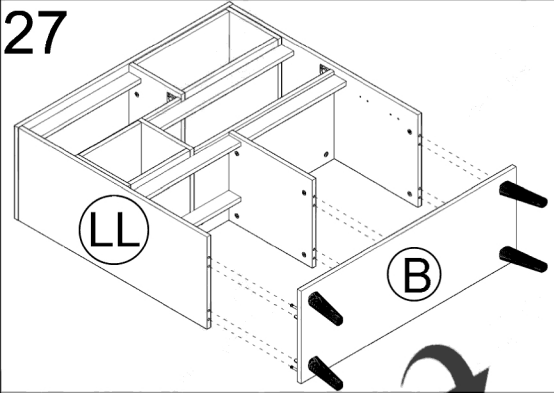
25



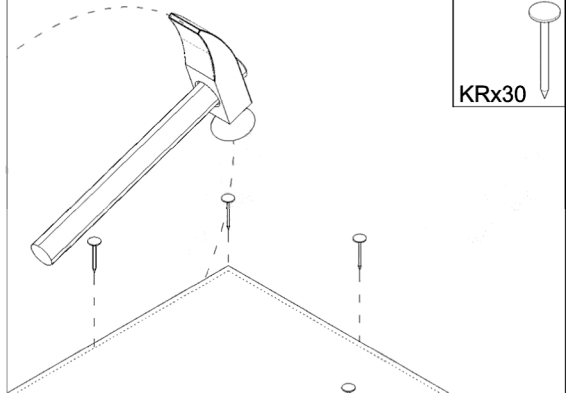
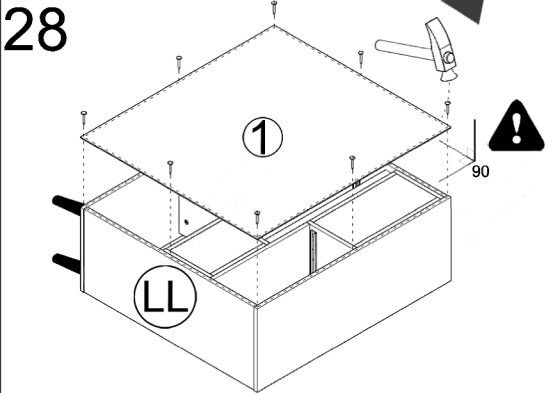
26



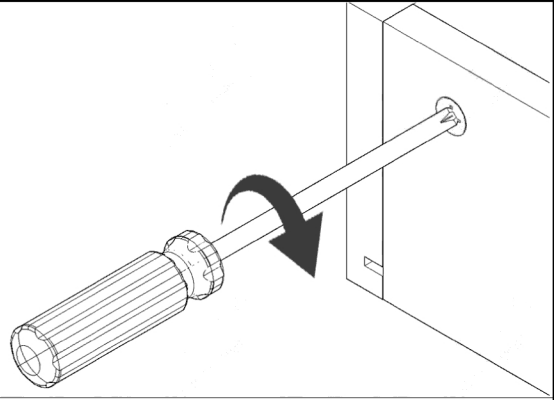
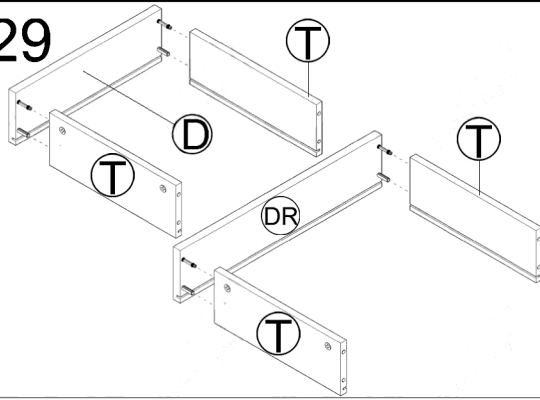
27



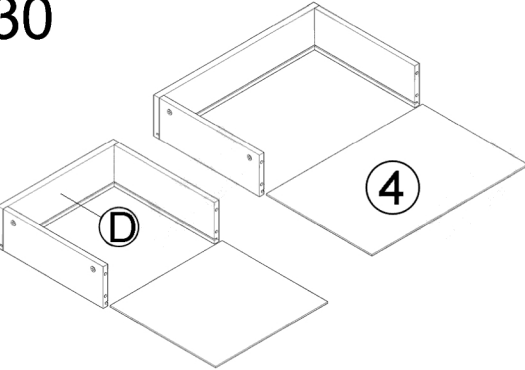
28



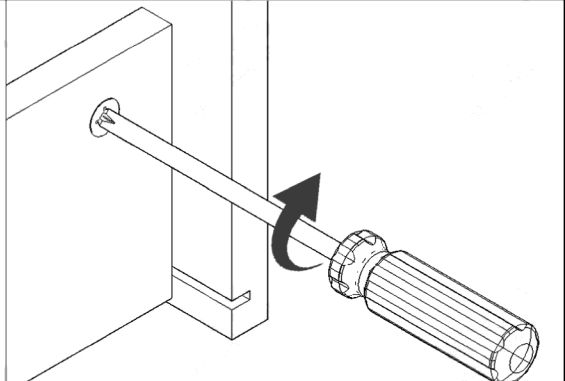
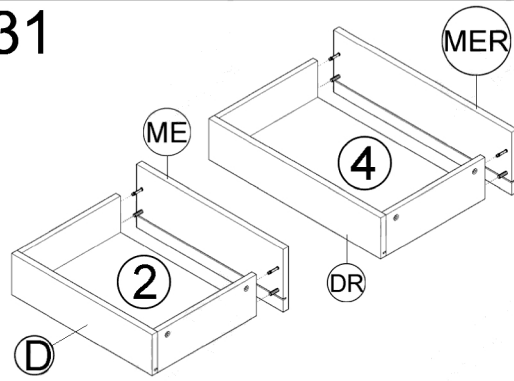
29



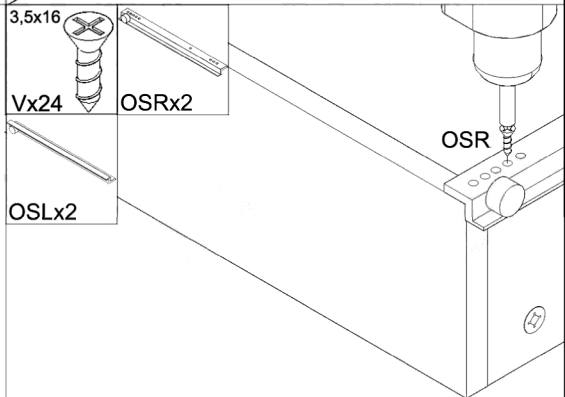
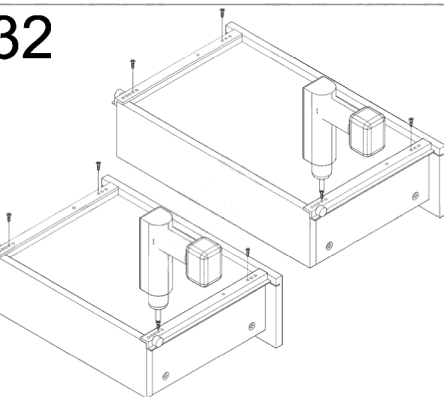
30



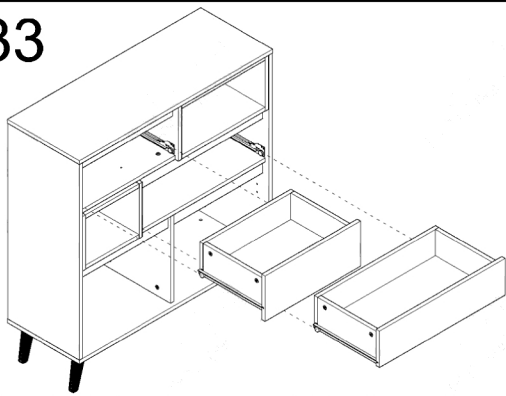
31



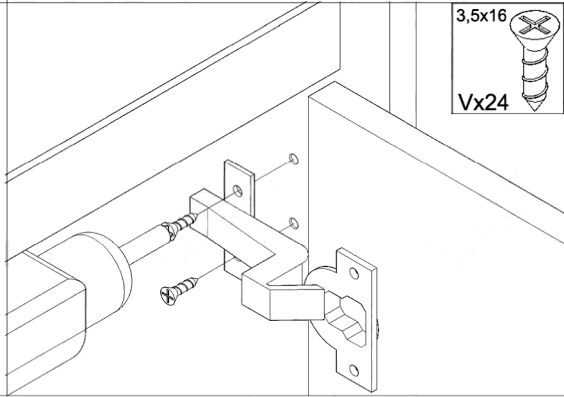
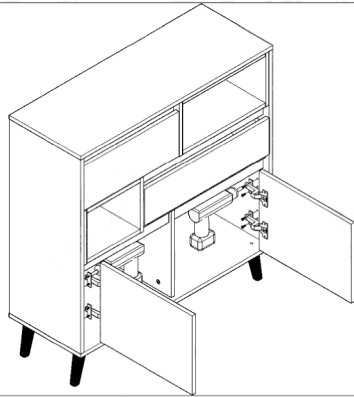
32



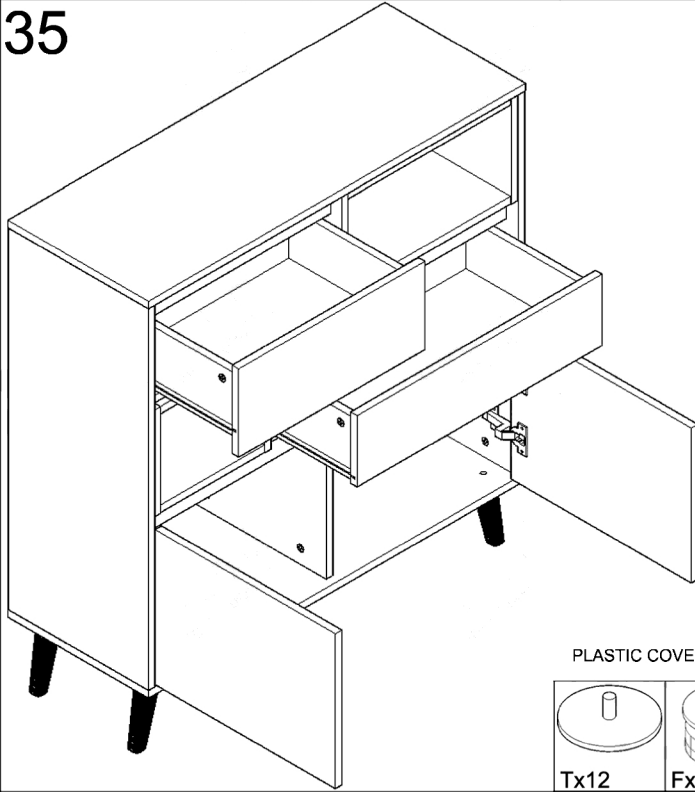
33



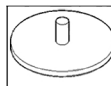
34



35



PLASTIC COVER CAPS



Tx12



Fx50

