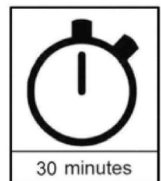
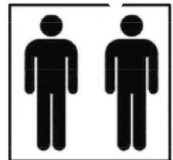
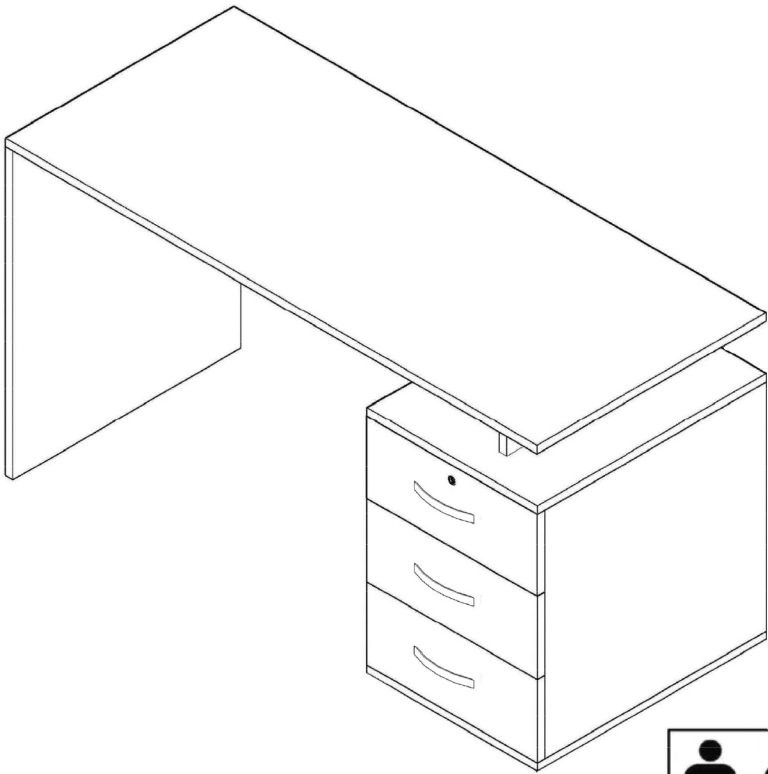
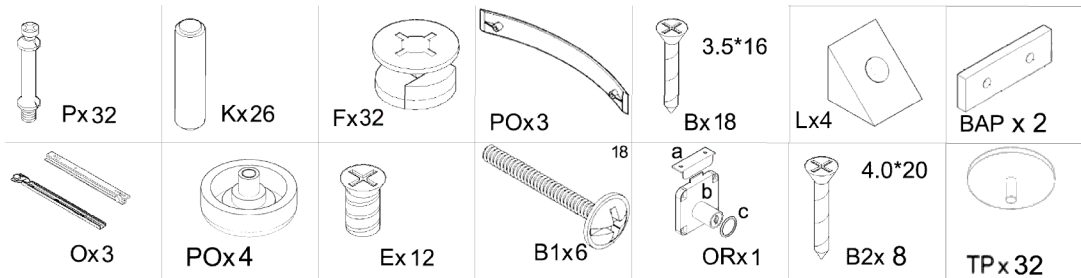
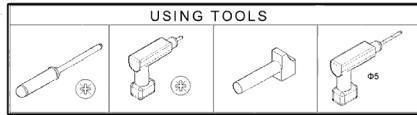
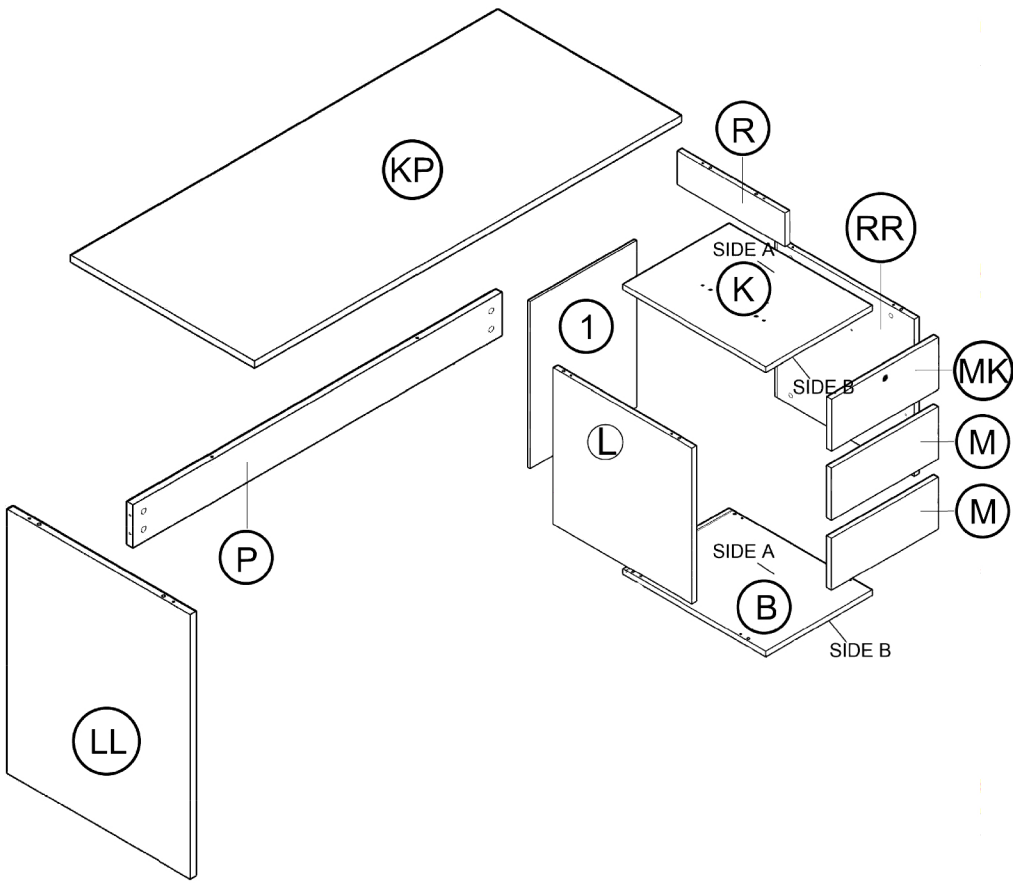


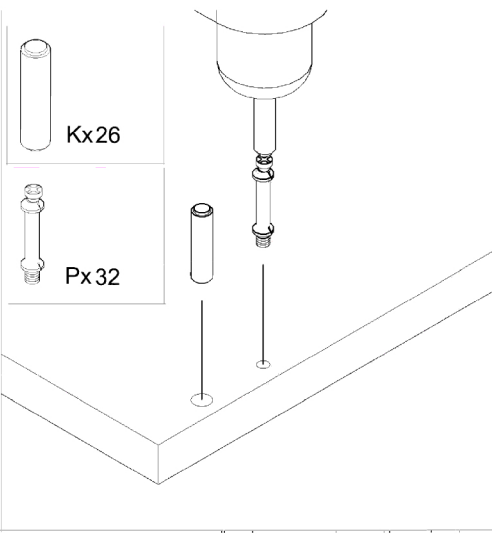
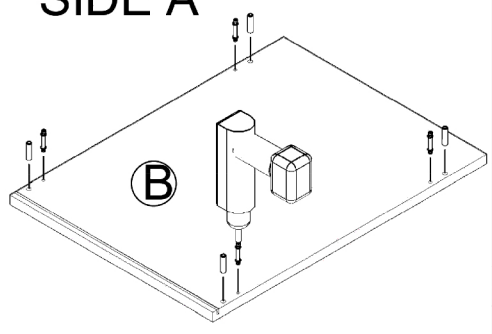
# GRK501





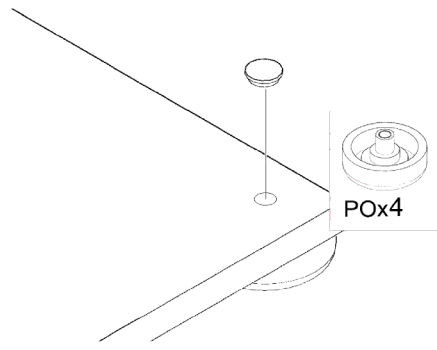
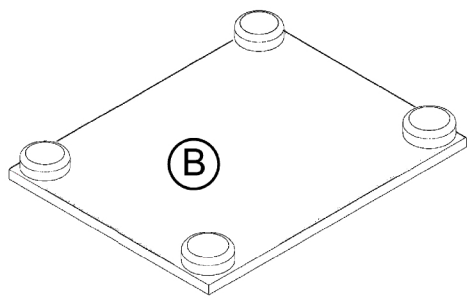
# 1

## SIDE A



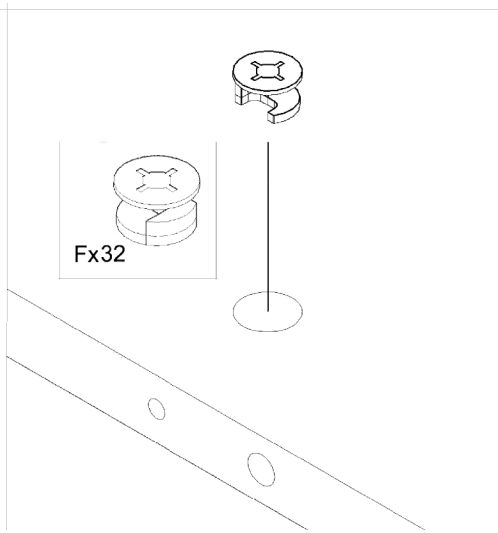
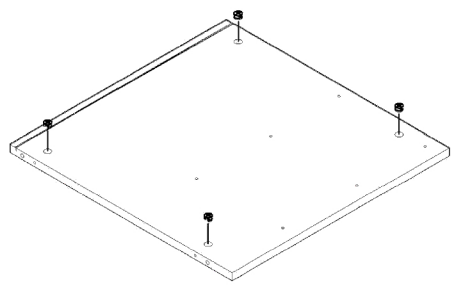
# 2

## SIDE B



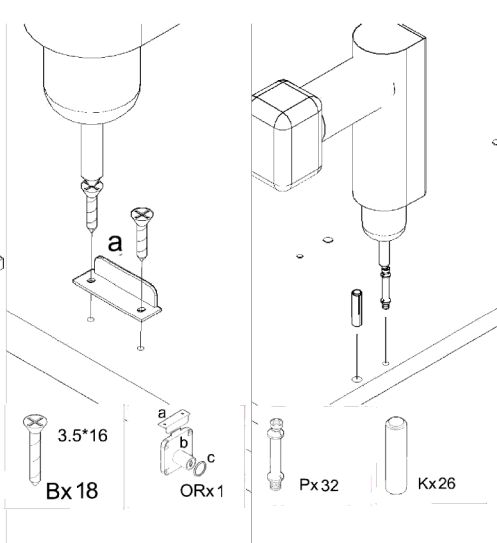
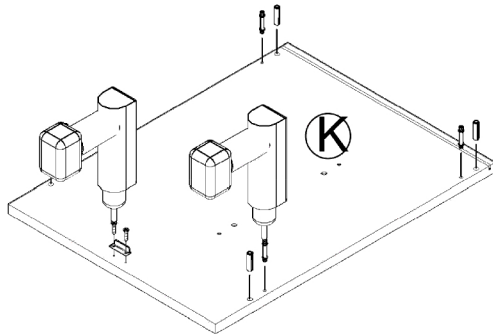
# 3

## (L) & (RR)



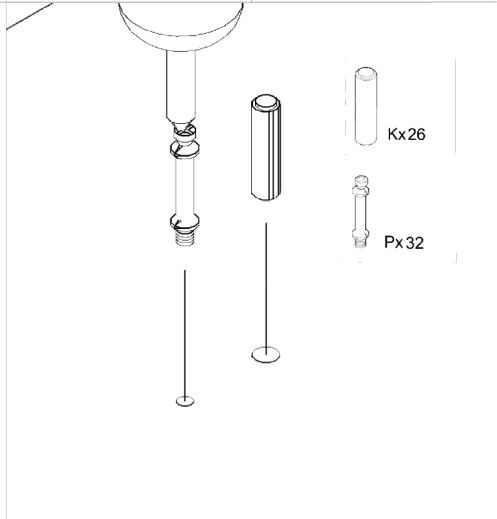
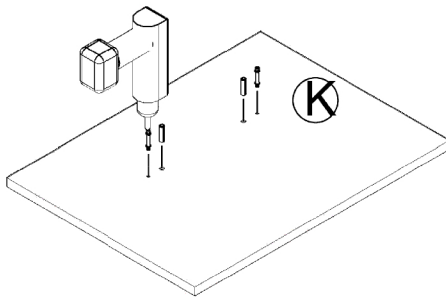
# 4

## SIDE B

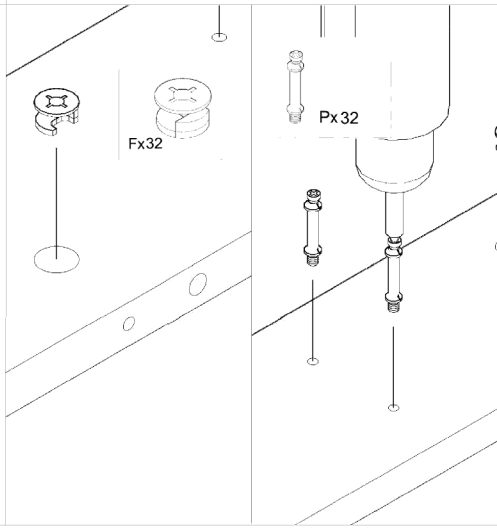
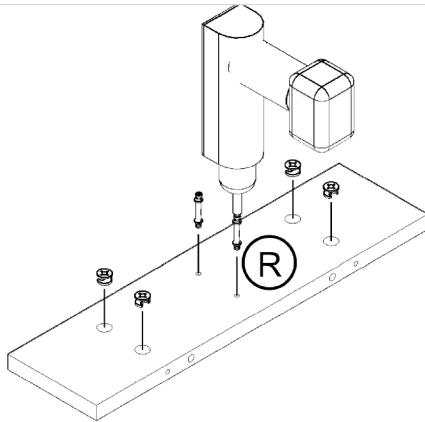


# 5

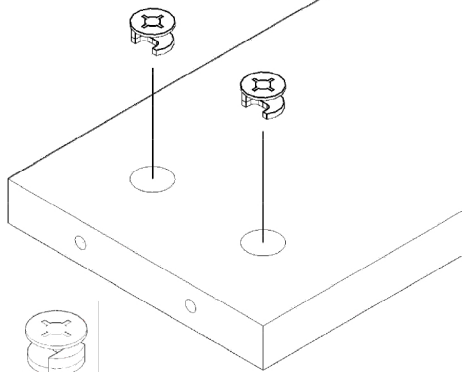
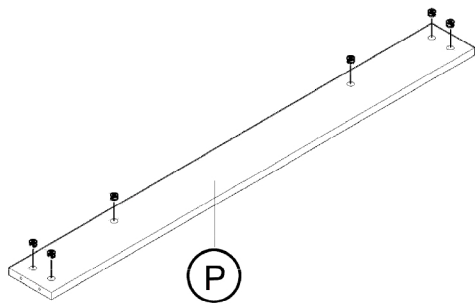
## SIDE A



# 6

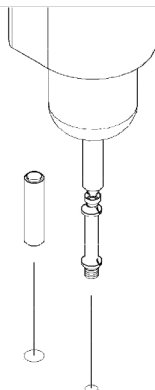
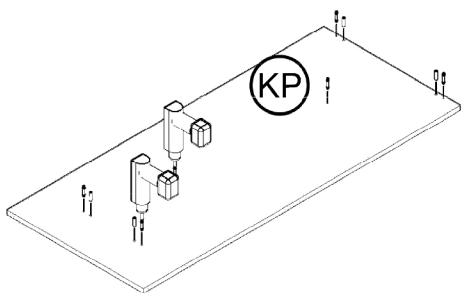


# 7



Fx32

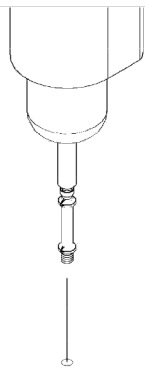
# 8



Px32

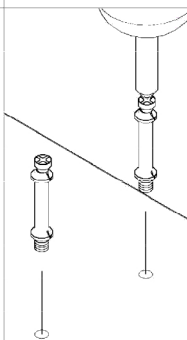
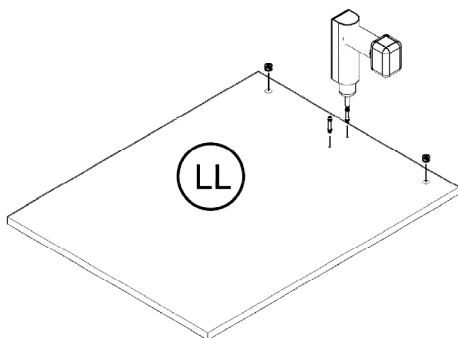


Kx26

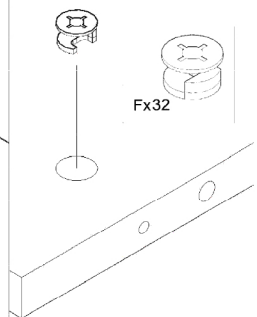


Px32

# 9

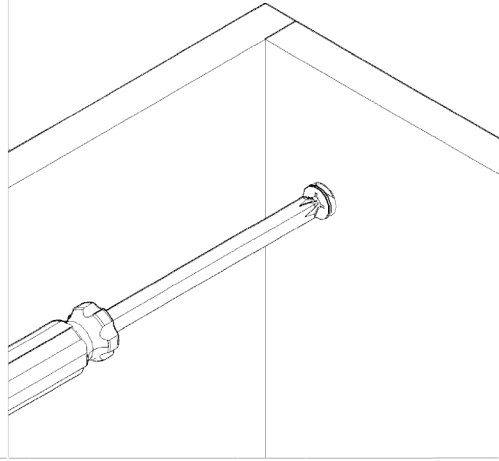
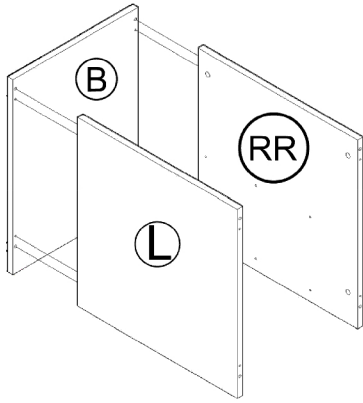


Px32

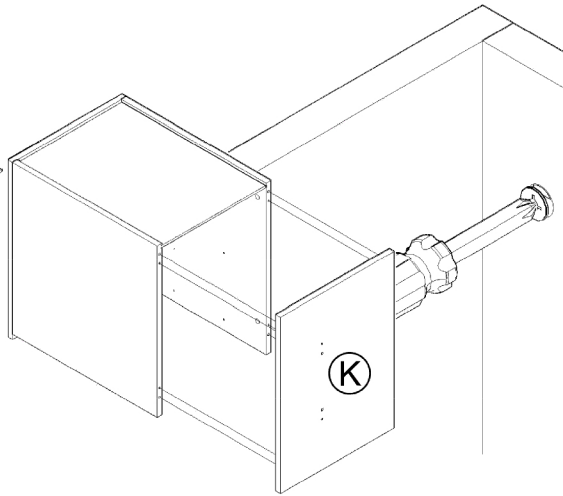
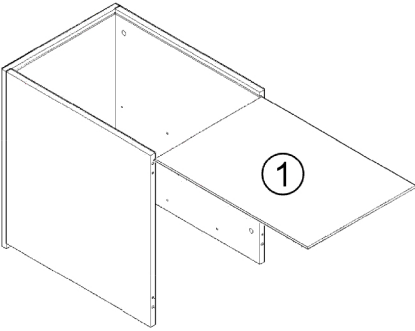


Fx32

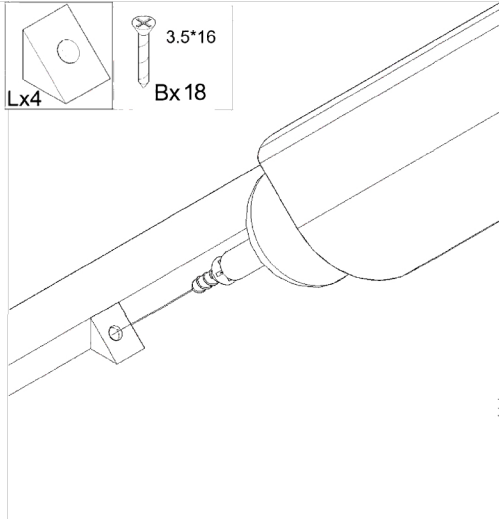
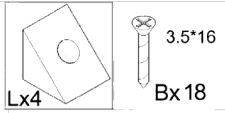
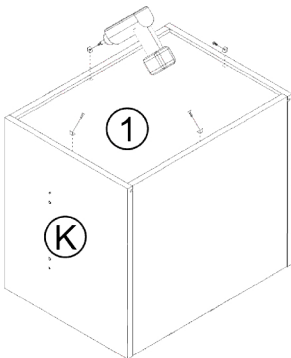
# 10



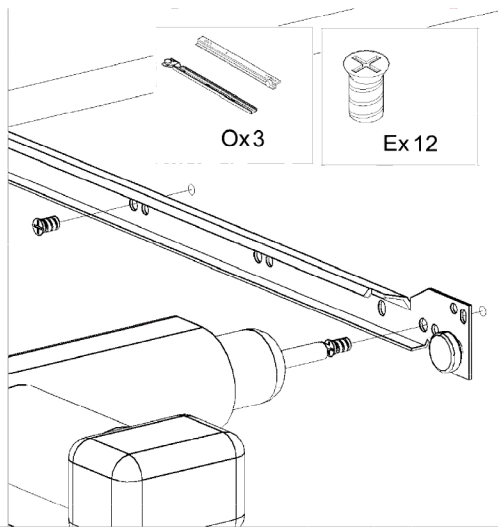
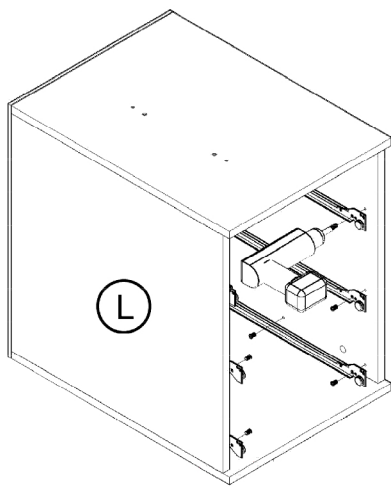
# 11



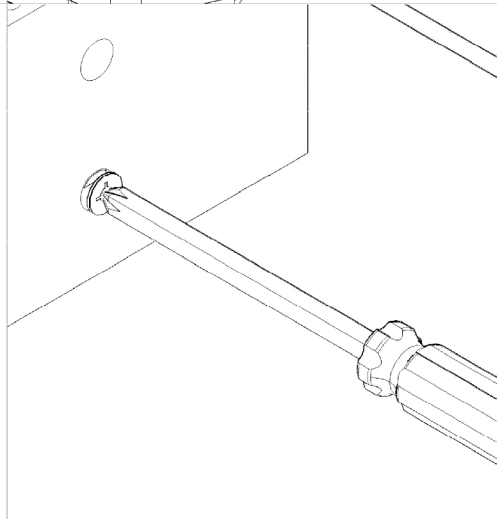
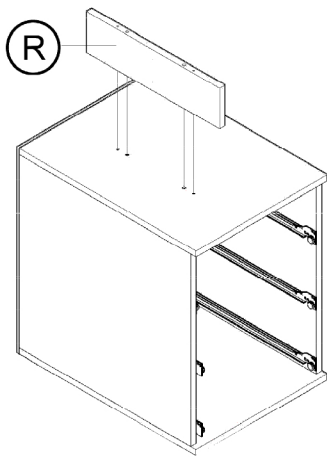
# 12



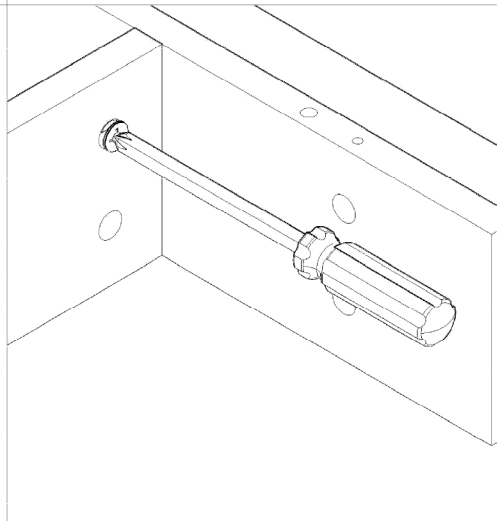
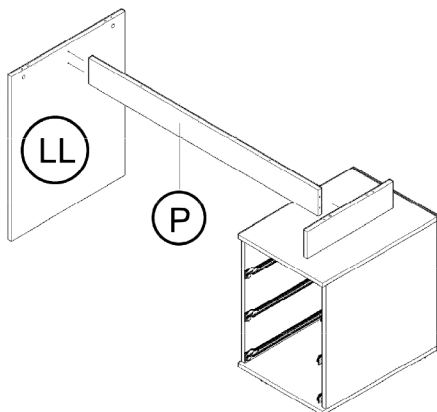
# 13



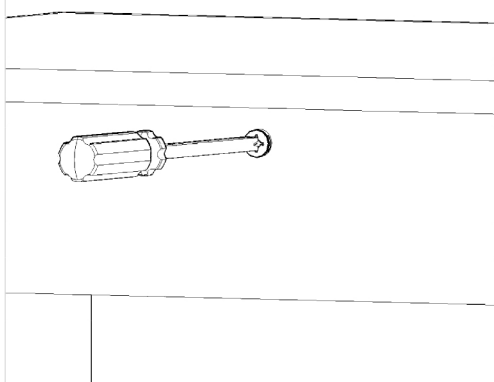
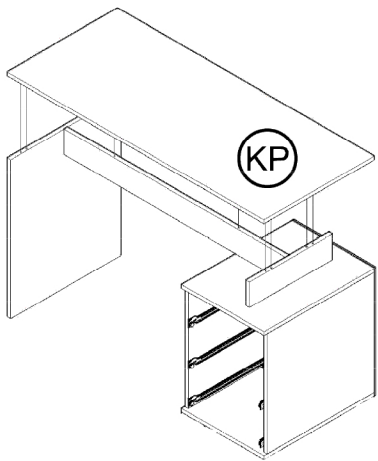
# 14



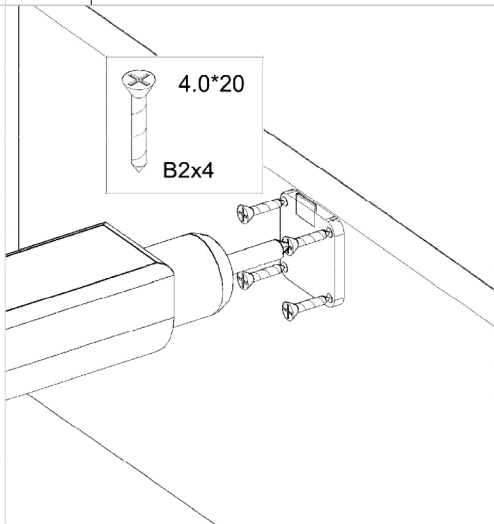
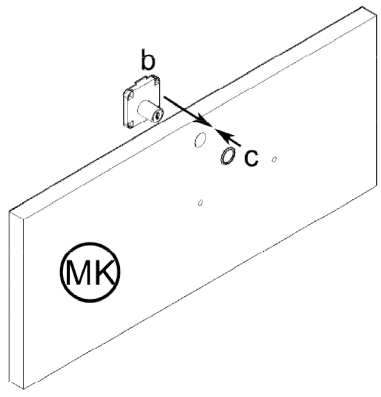
# 15



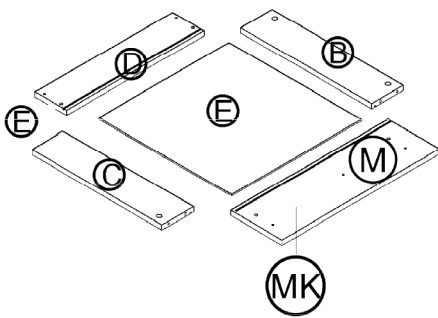
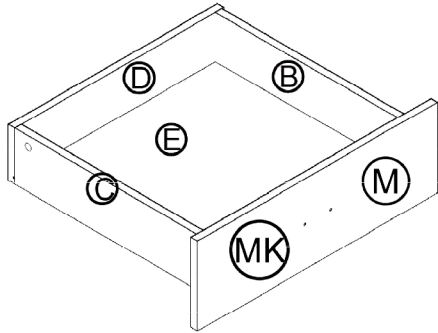
# 16



# 17

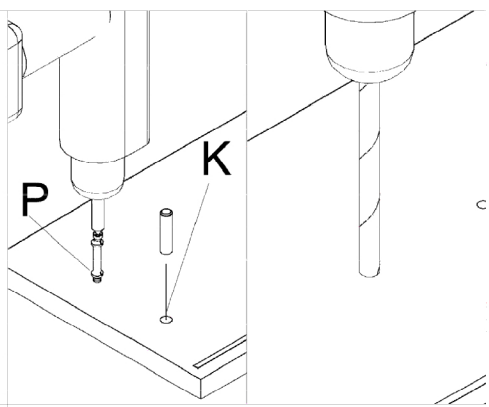
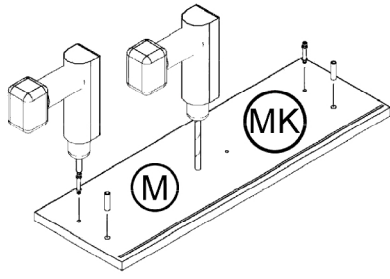


# 1

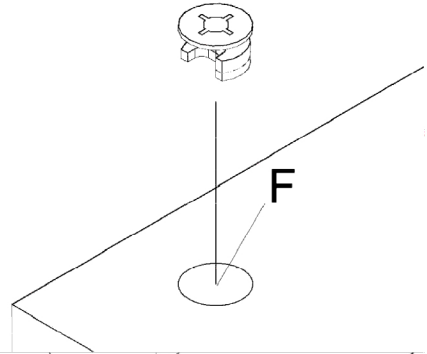
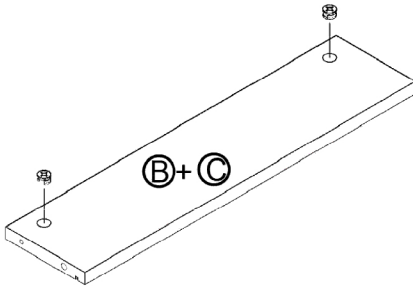




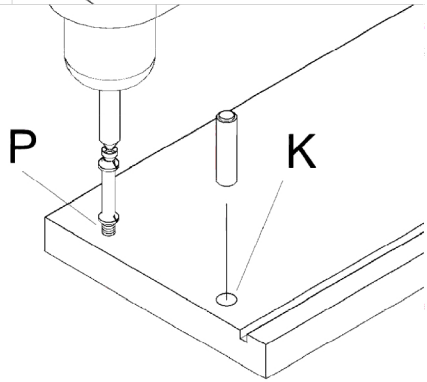
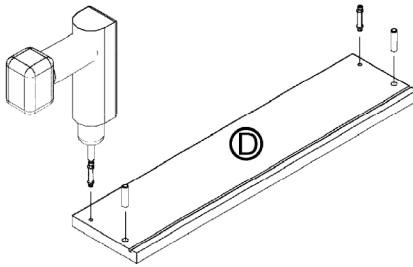
2



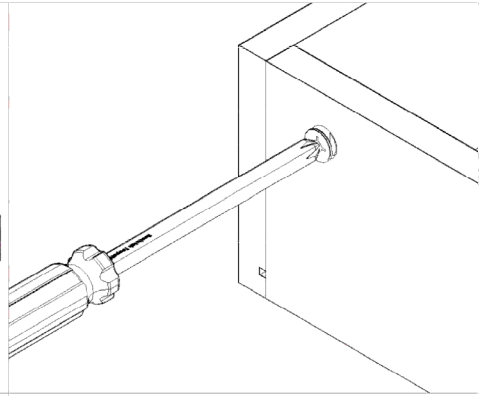
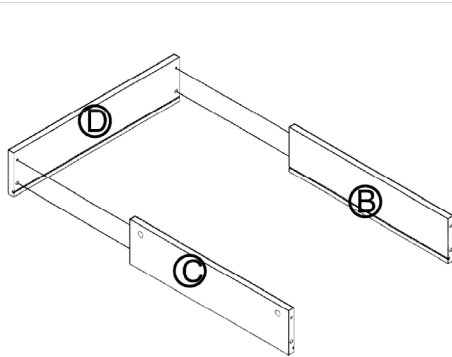
3



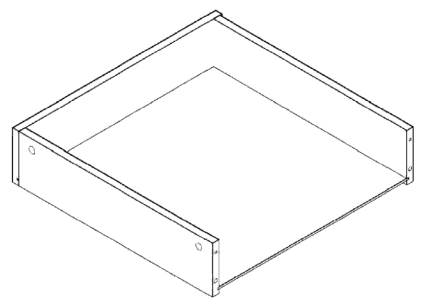
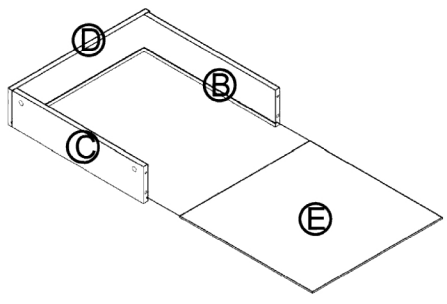
4



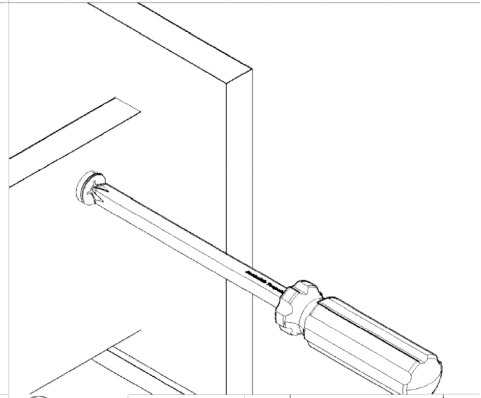
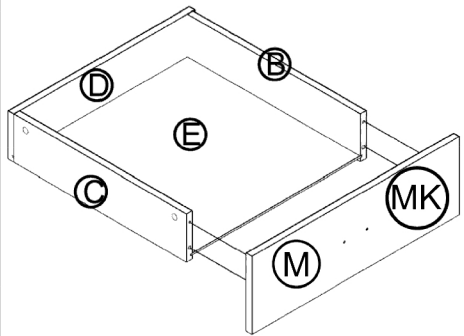
5



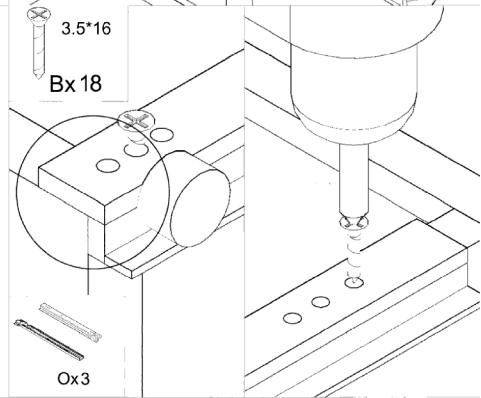
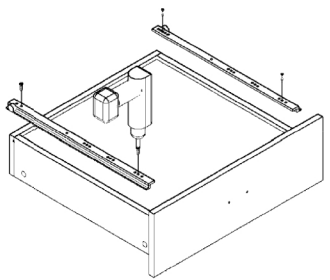
6



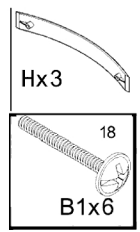
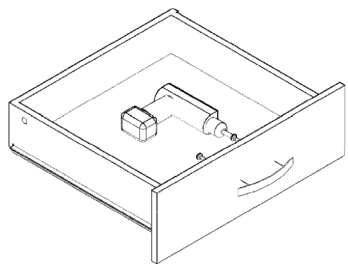
7

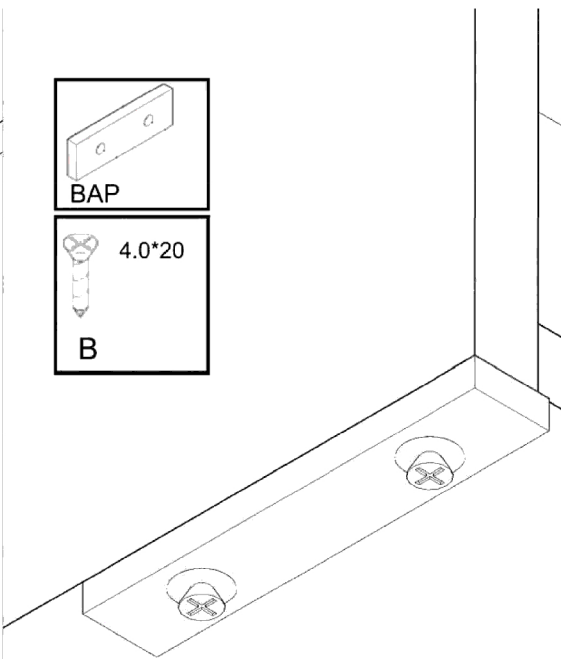
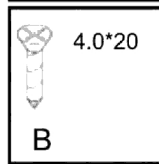
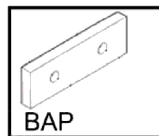
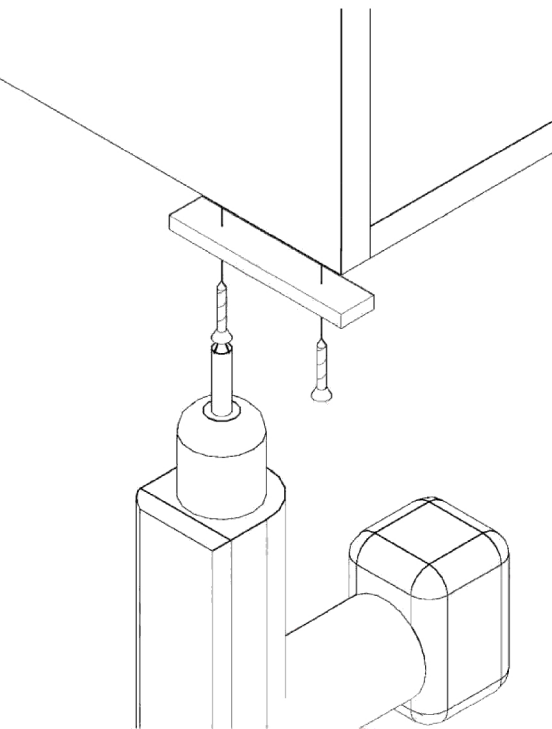


8



9





**PLASTIC COVER CAPS FOR SCREWS**

