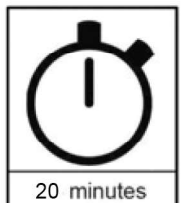
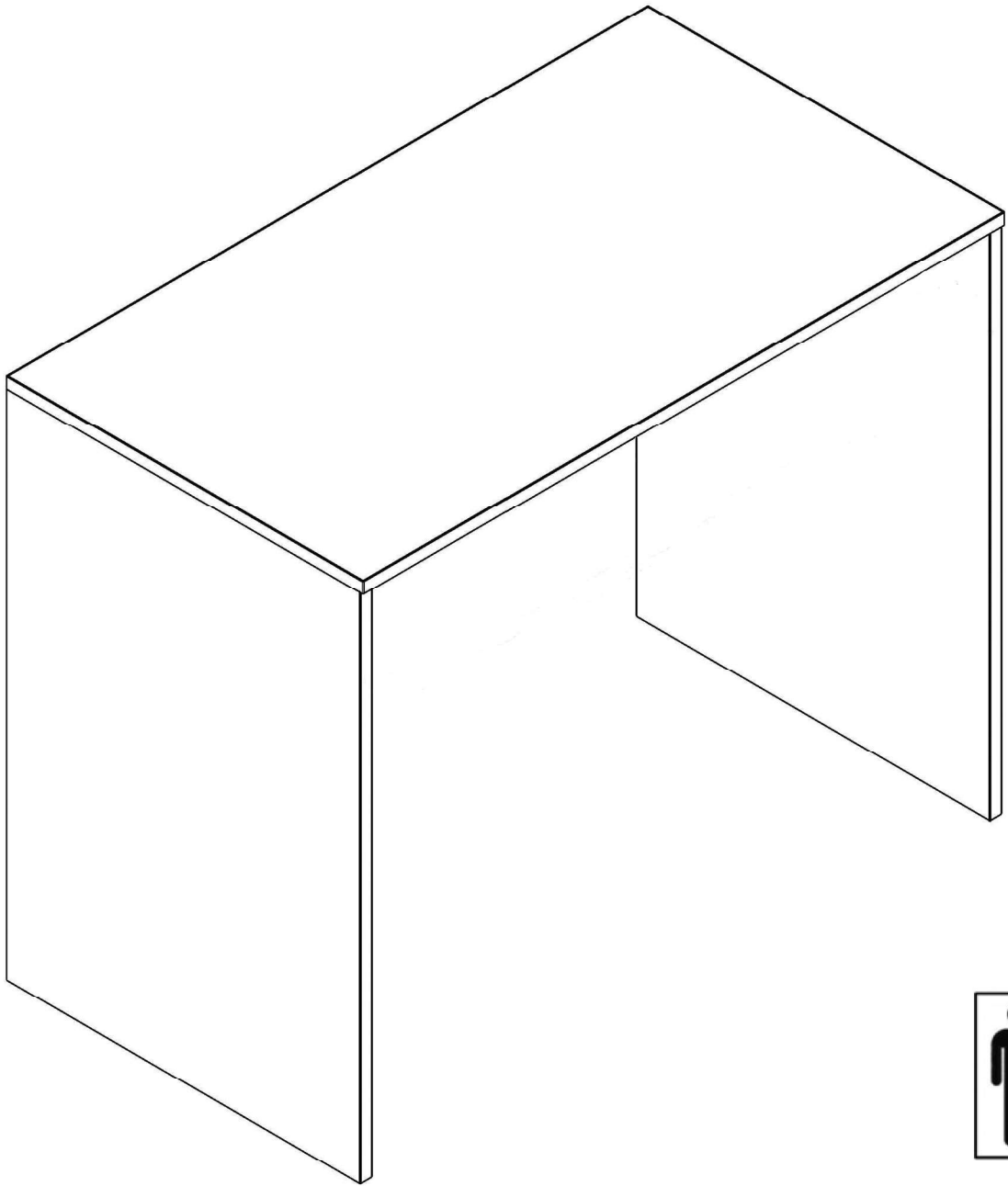
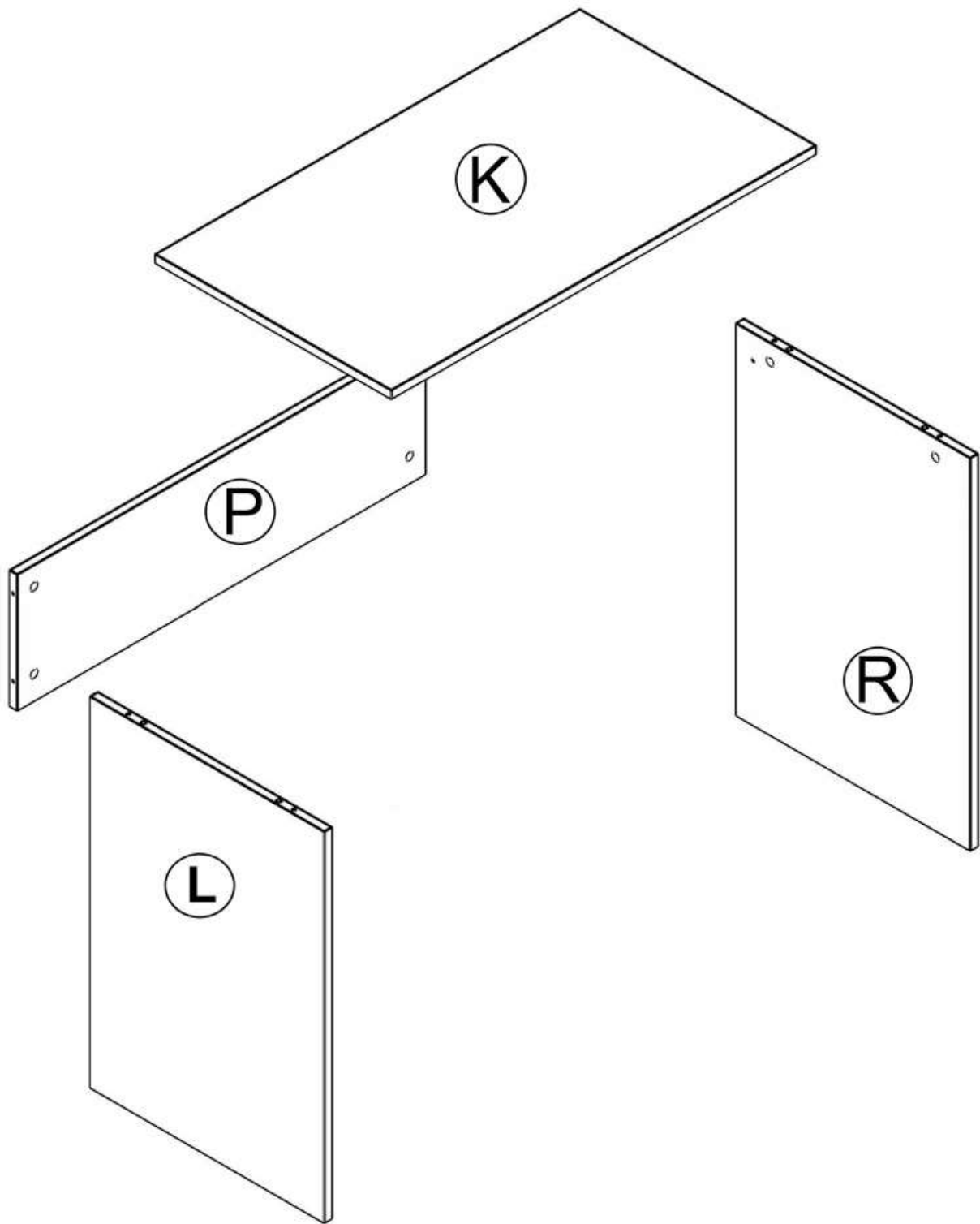
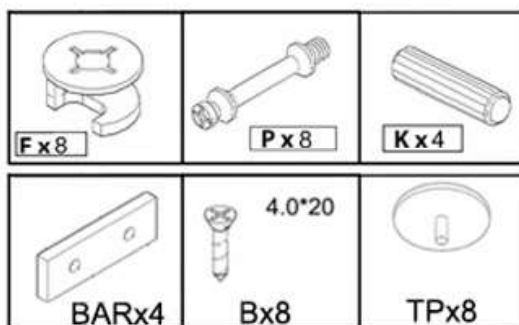
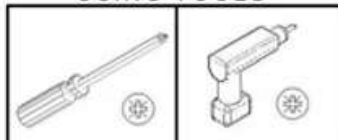


GRK504.A

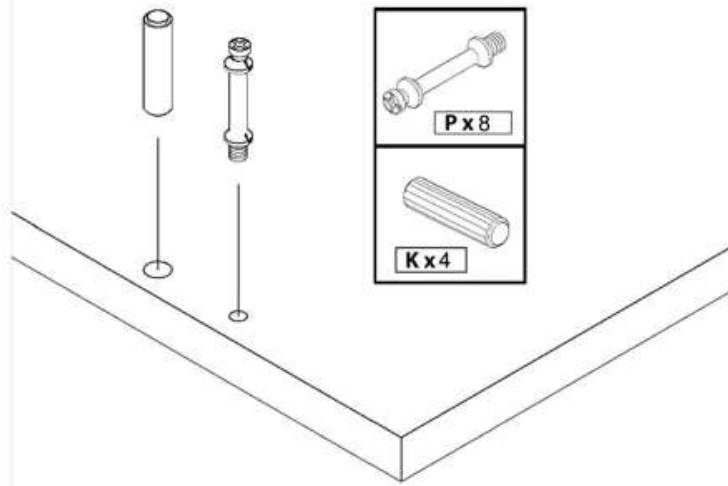
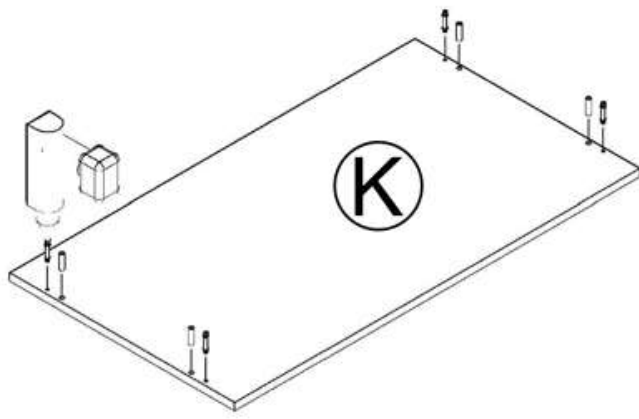




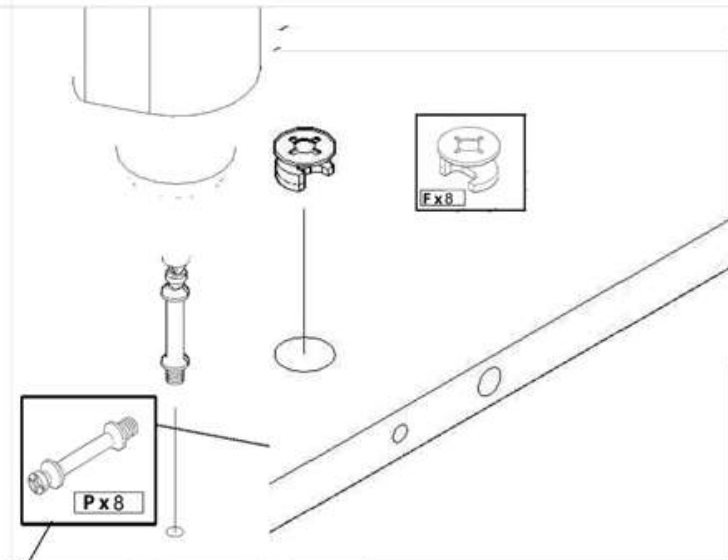
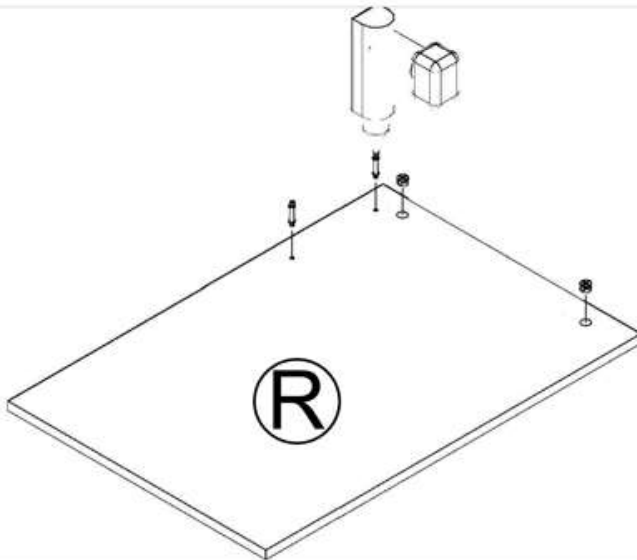
USING TOOLS



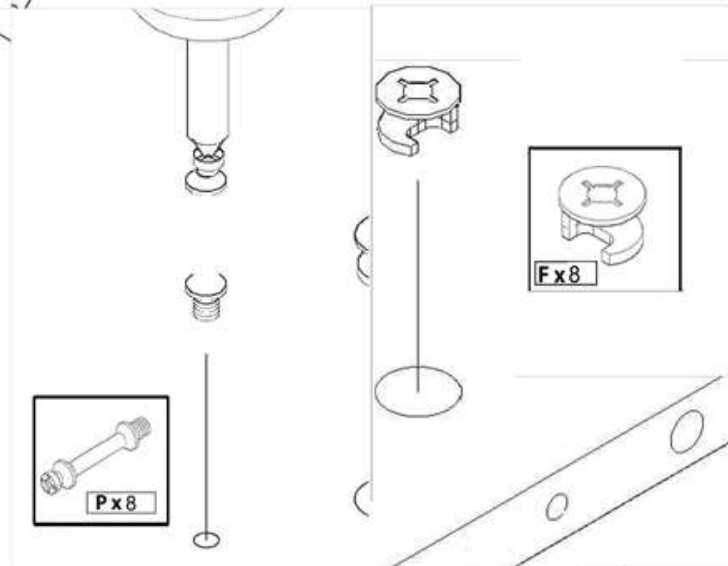
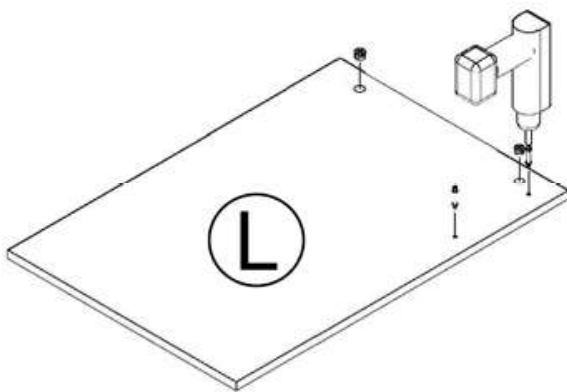
1



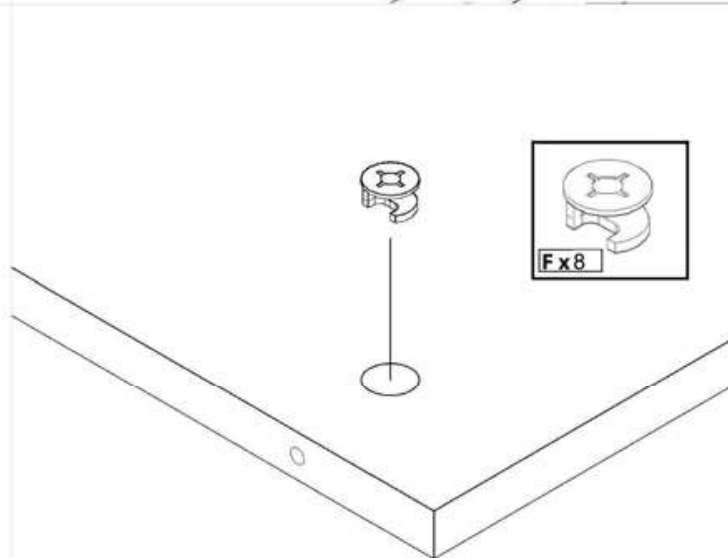
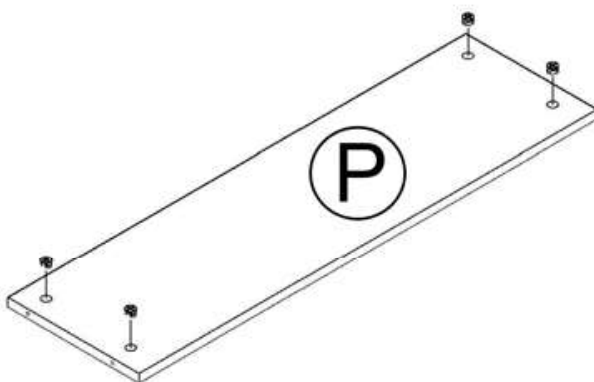
2



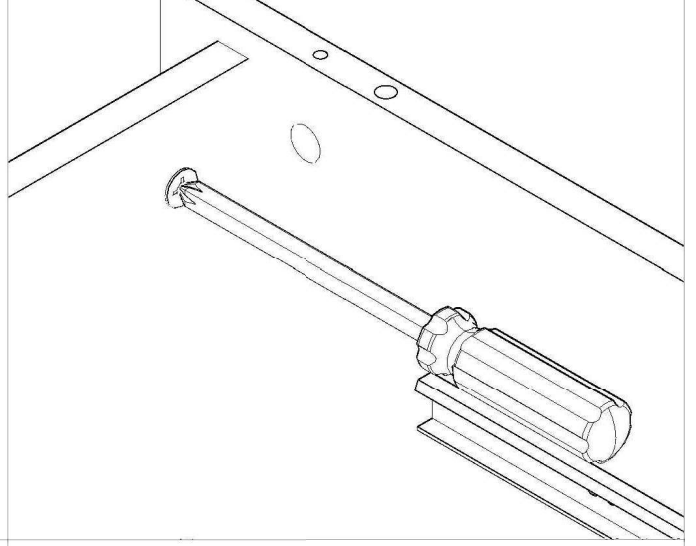
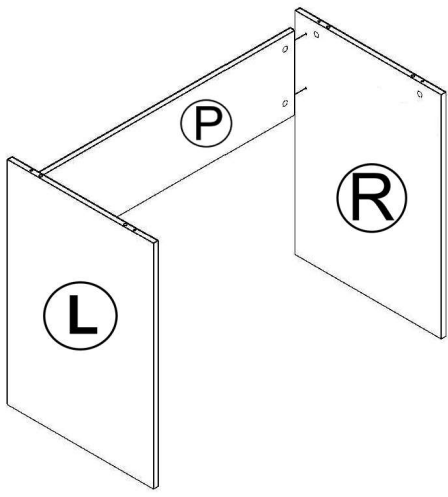
3



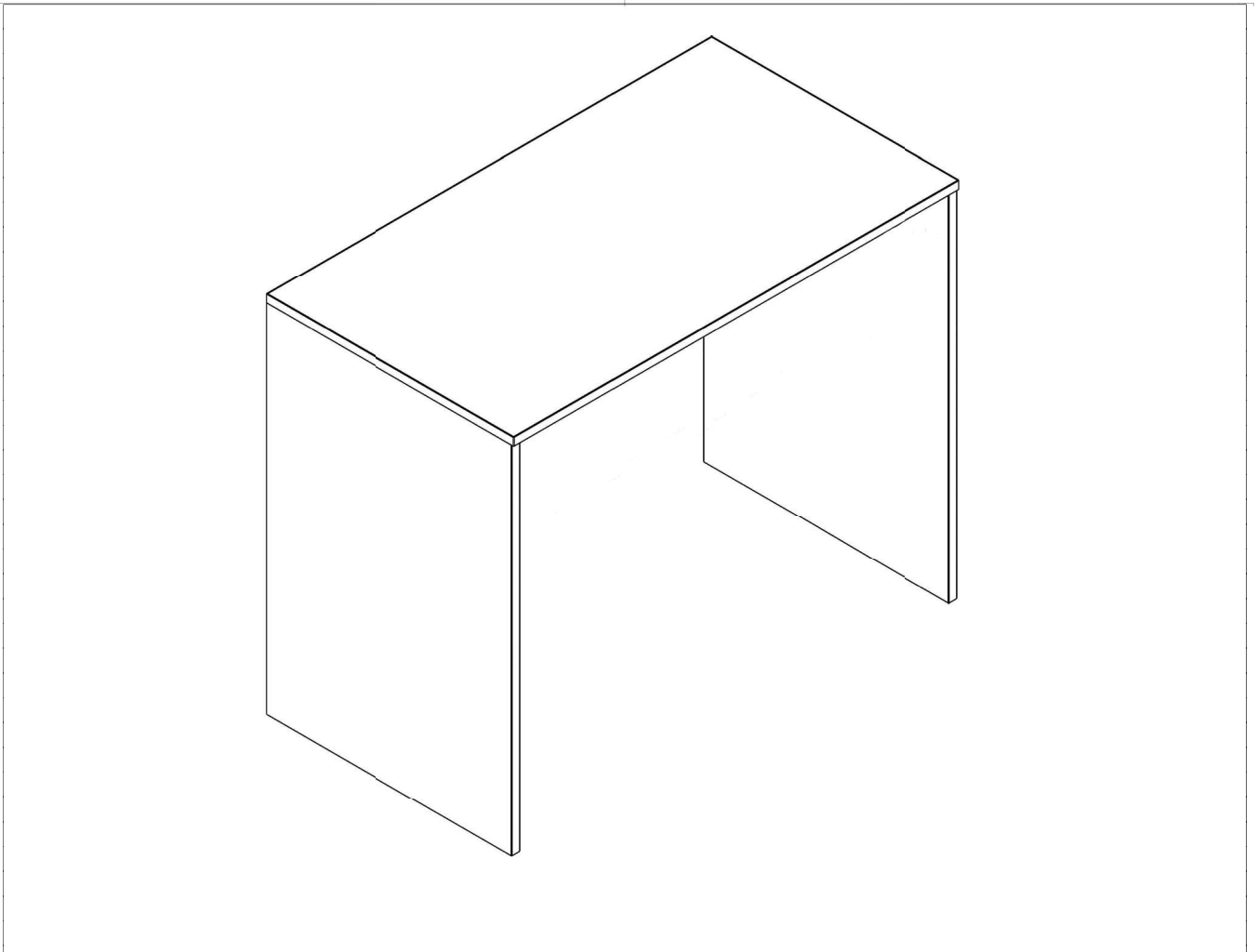
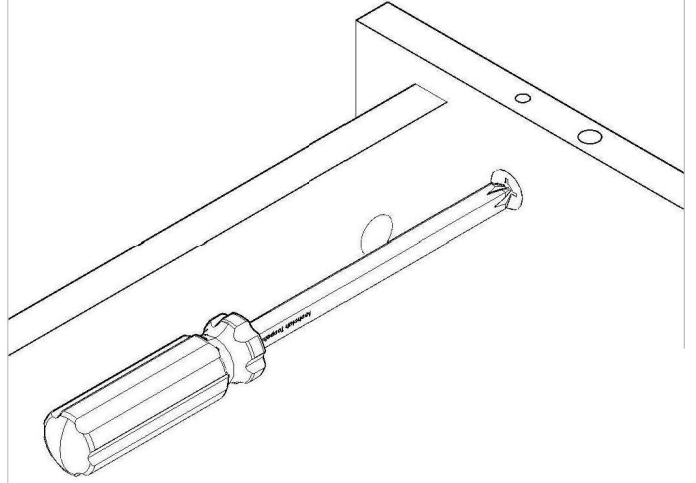
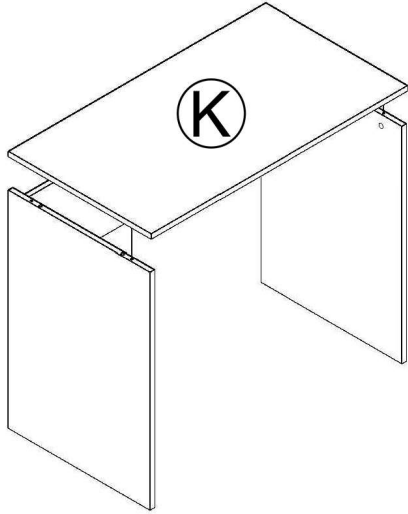
4

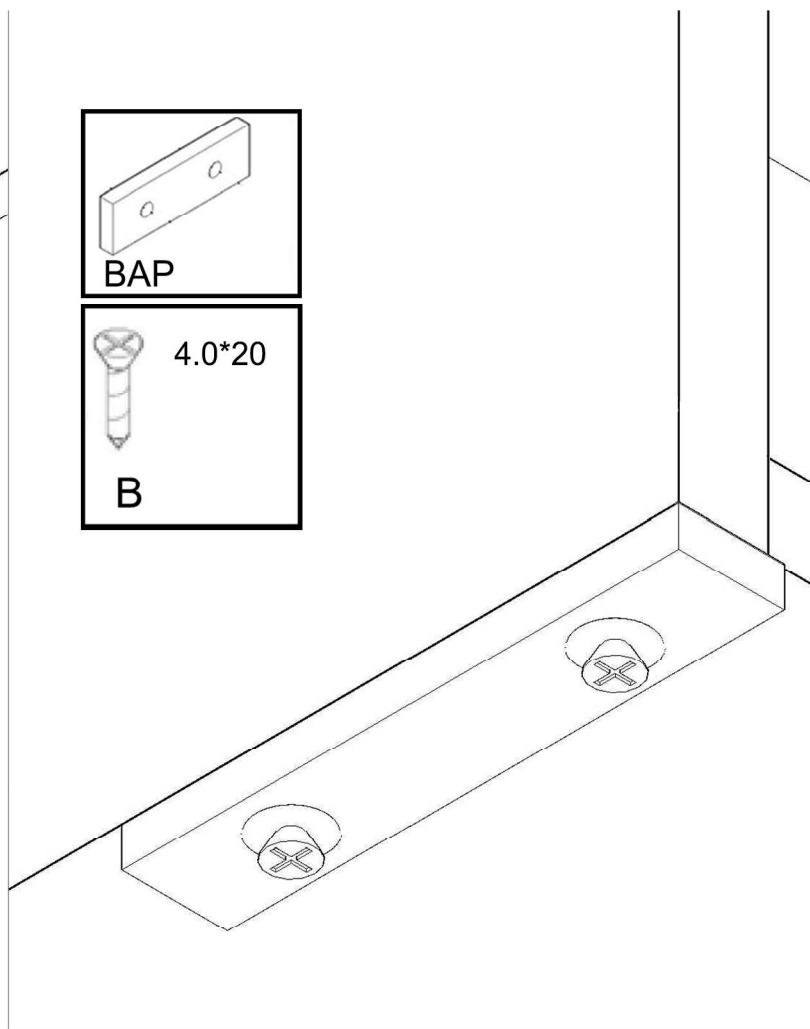
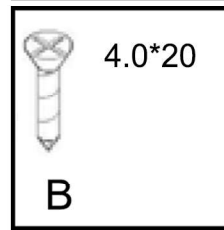
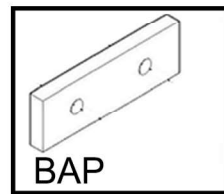
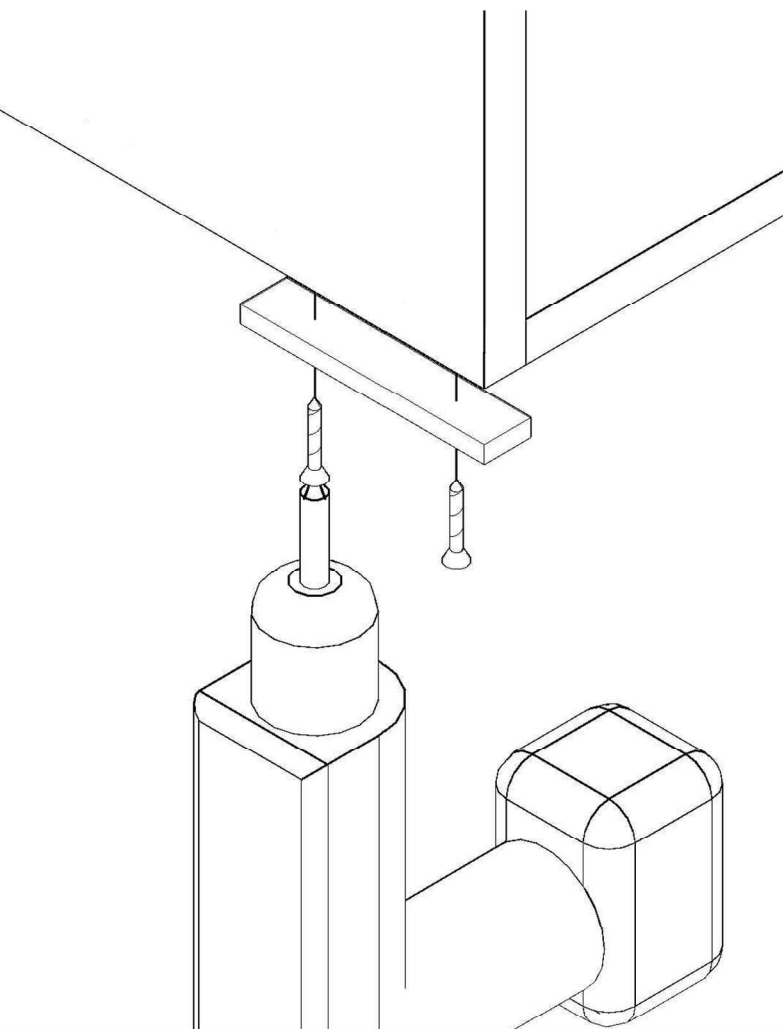


5

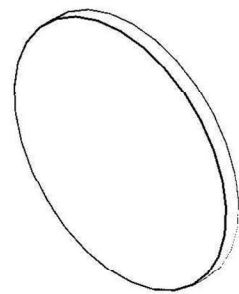
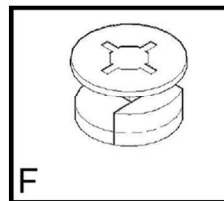
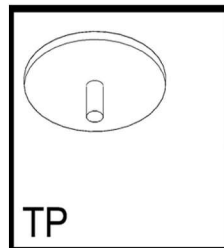
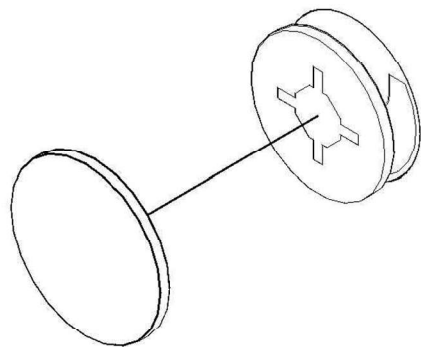


6

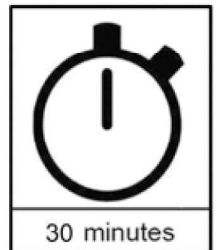
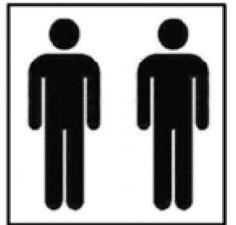
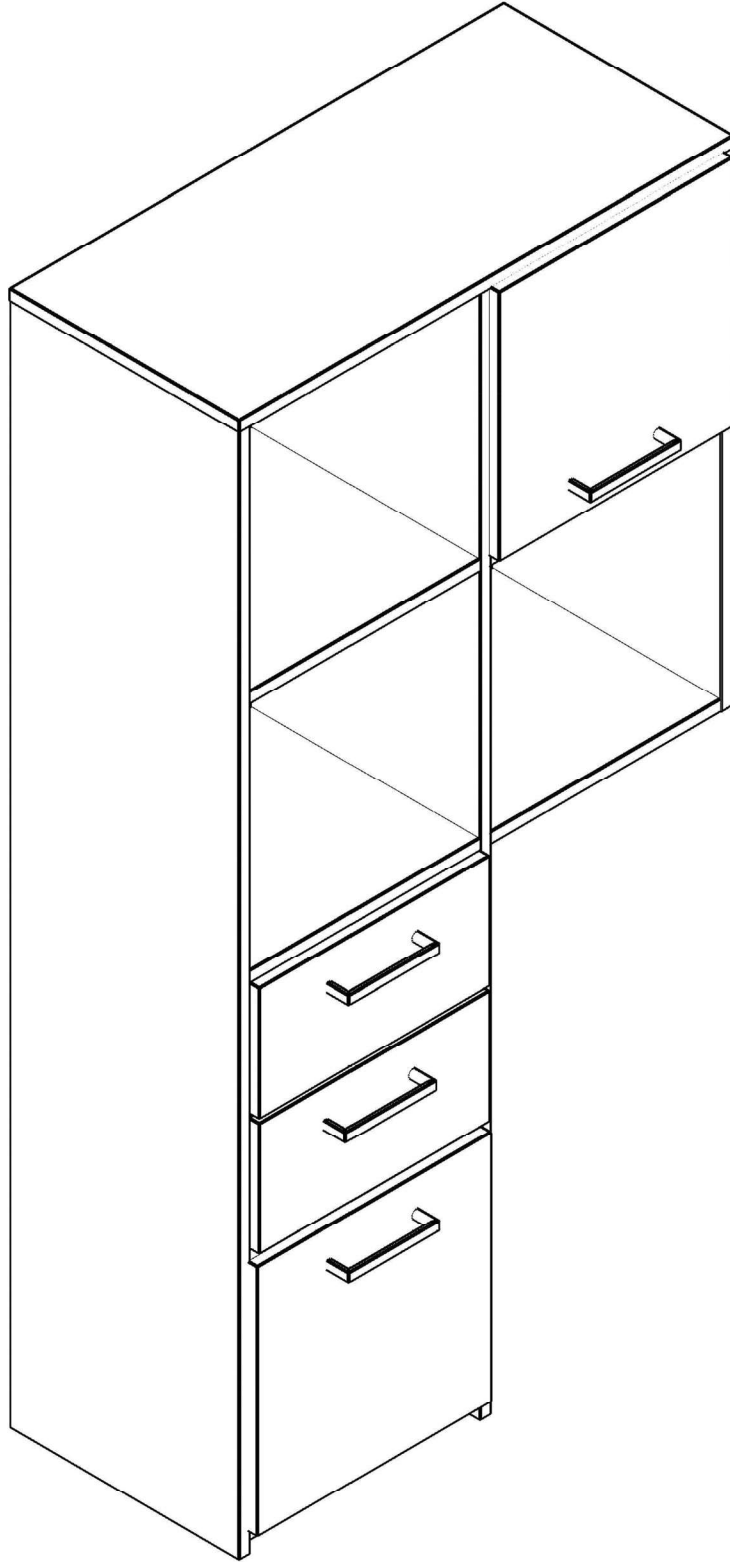


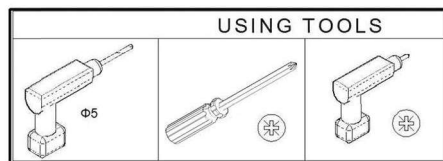
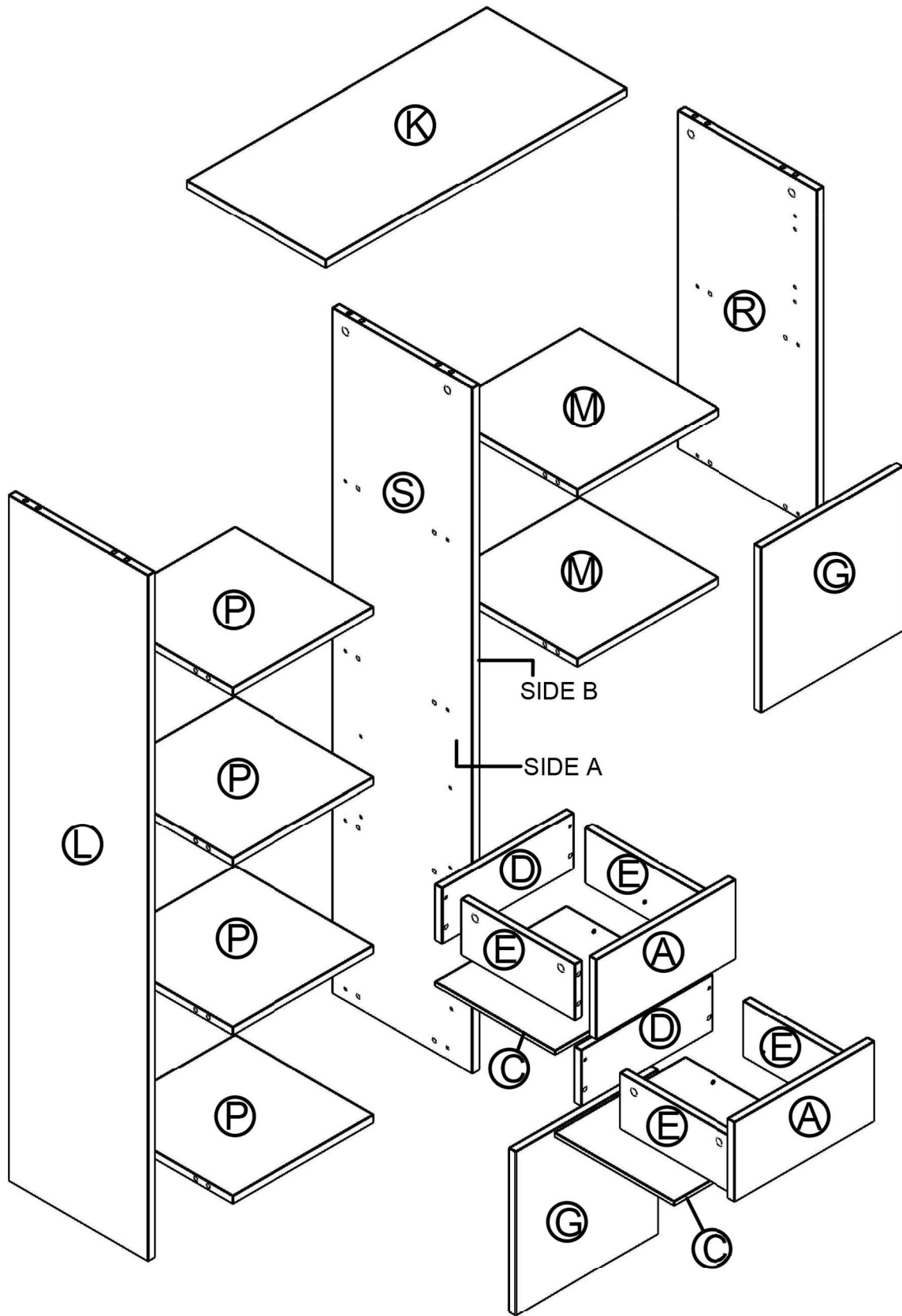





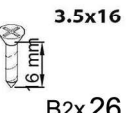
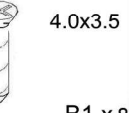


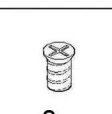
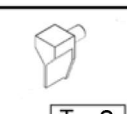
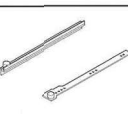
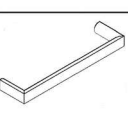
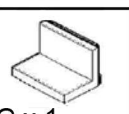
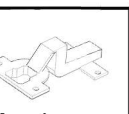
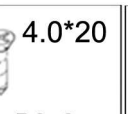
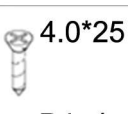
PLASTIC COVER CAPS FOR SCREWS



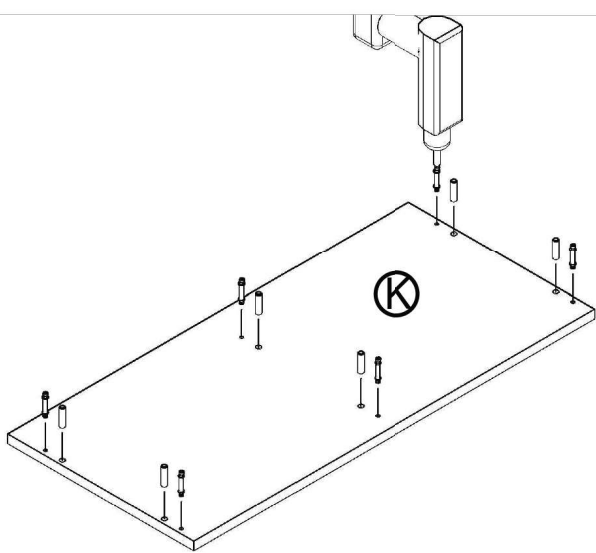
GRK504.B



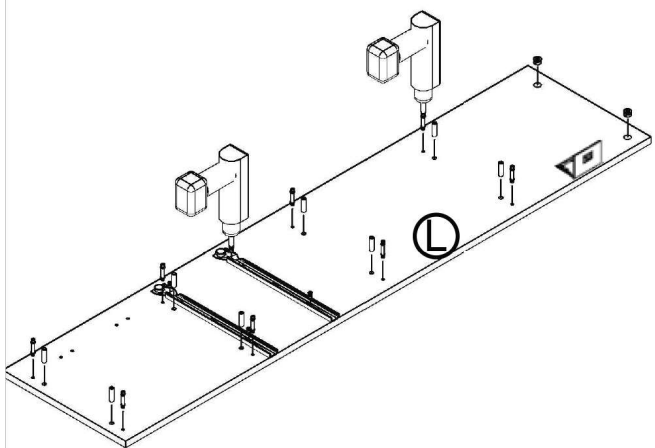


 F x 38	 P x 38	 K x 38	 3.5x16 16 mm B2x26	 4.0x3.5 B1 x 8	 BAR x 4	 TP x 38	
 E x 8	 T x 2	 O x 2	 PO x 4	 G x 1	 M x 4	 4.0*20 B3x8	 4.0*25 B4x4

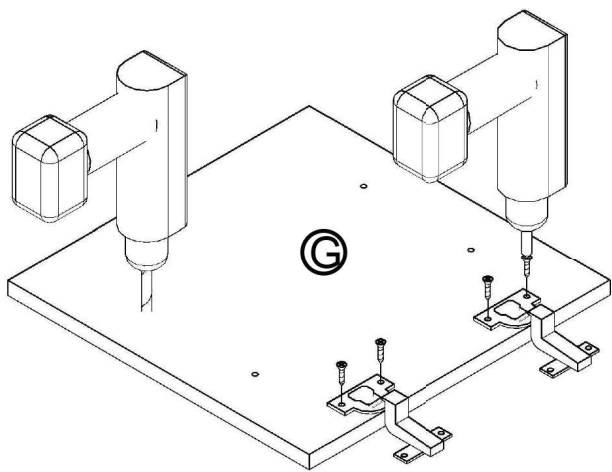
1



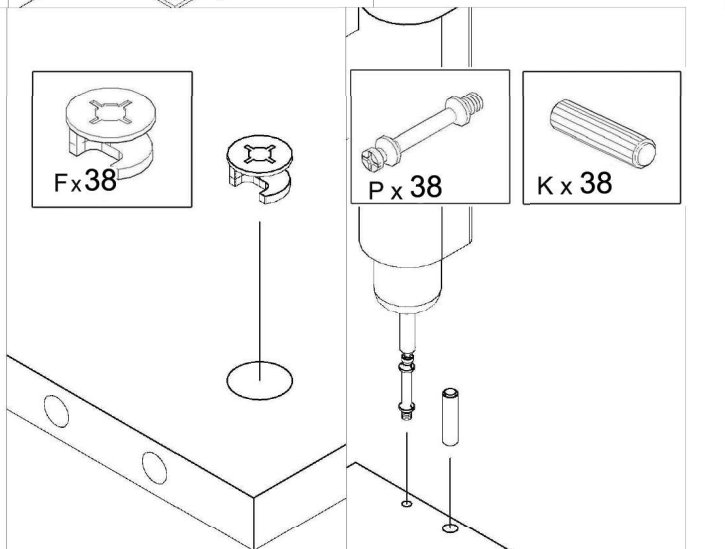
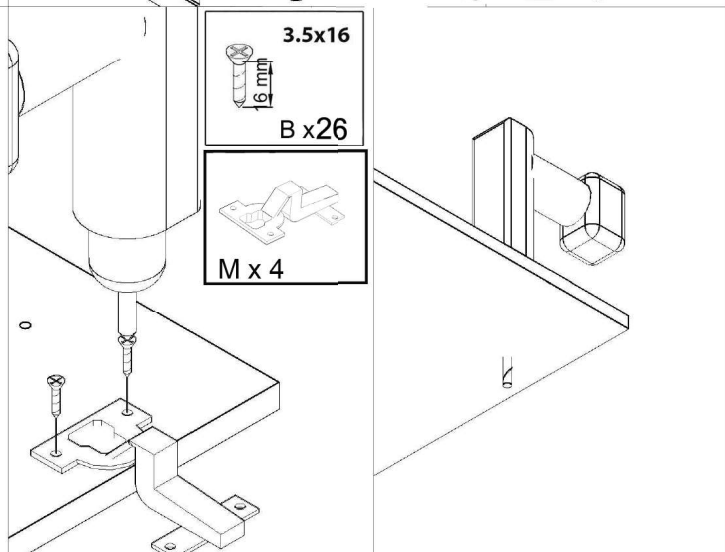
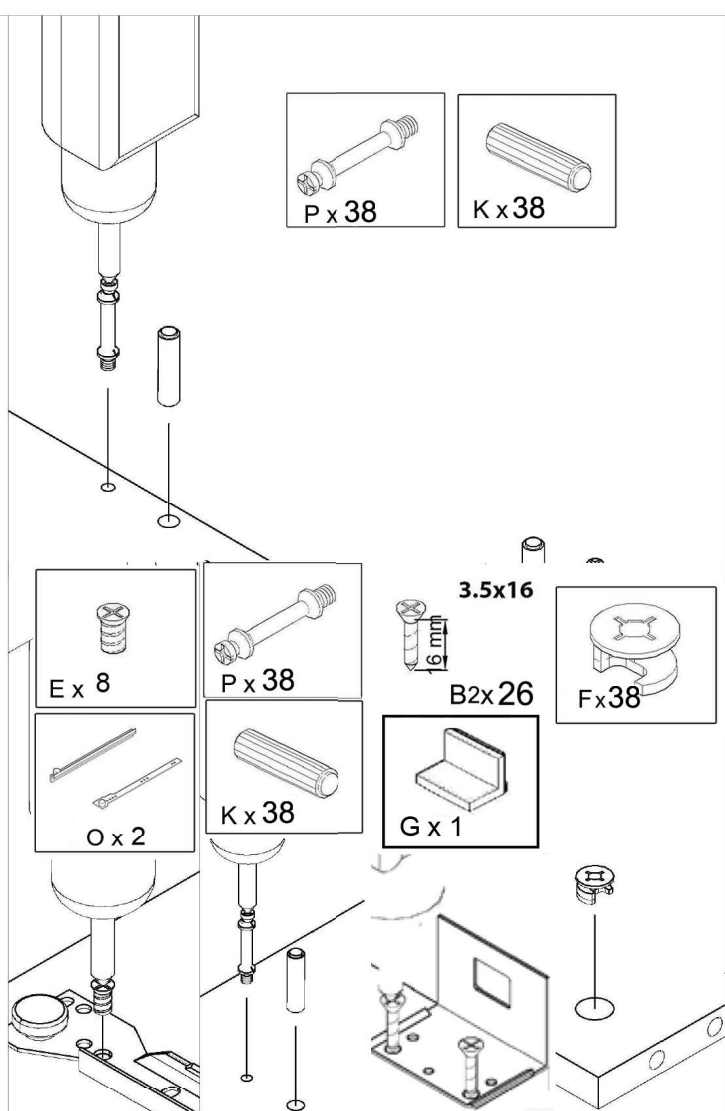
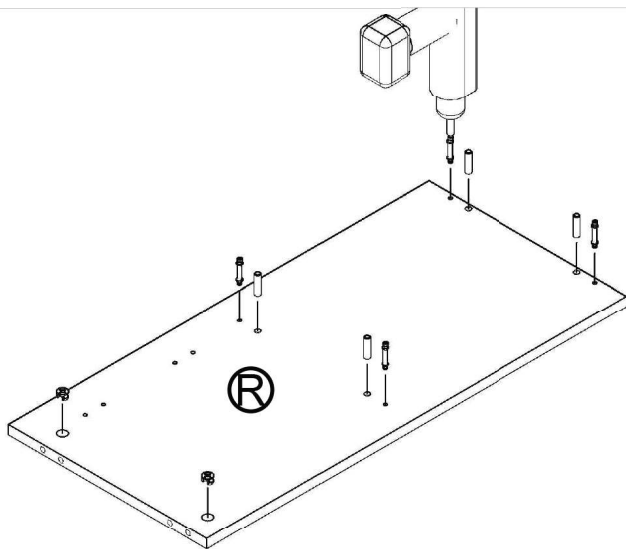
2



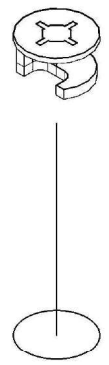
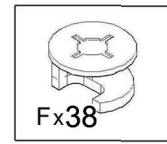
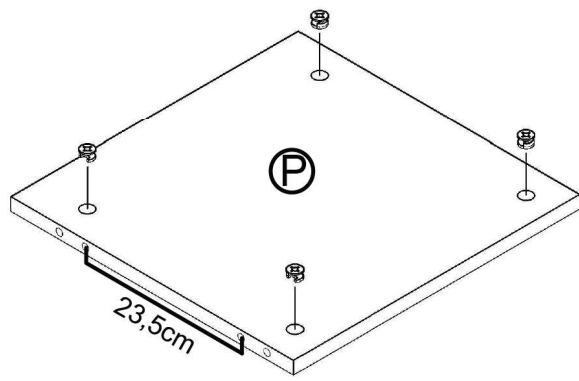
3



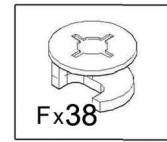
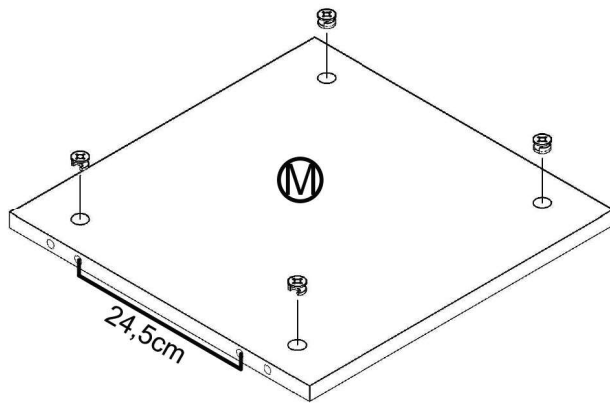
4



5

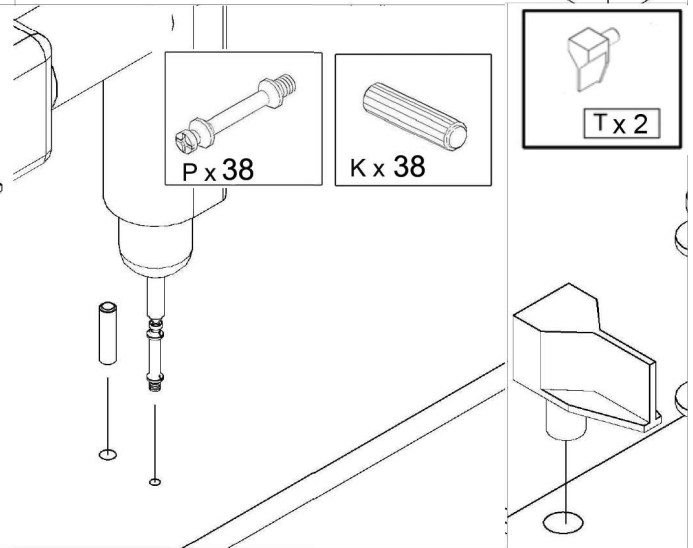
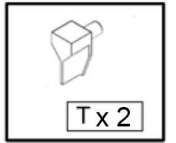
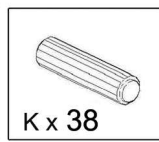
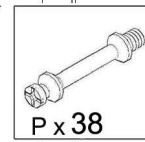
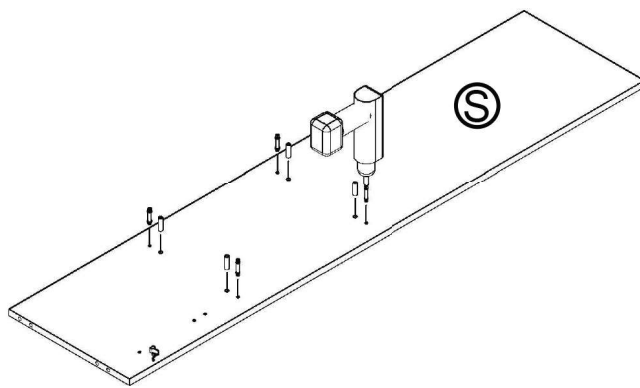


6



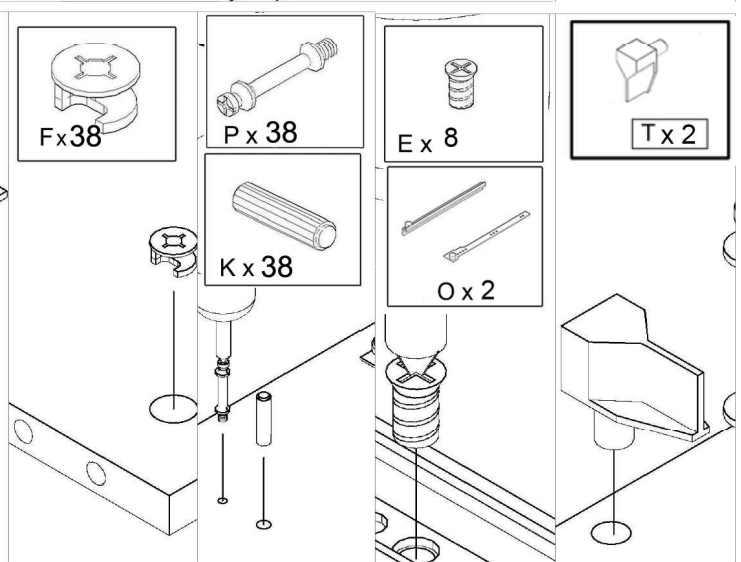
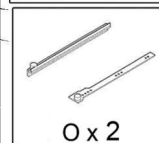
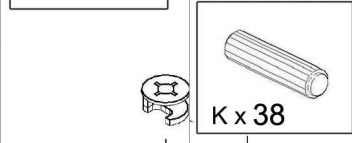
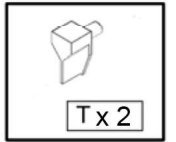
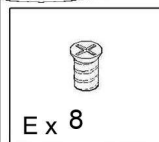
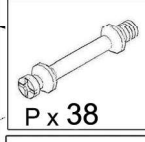
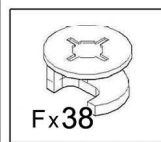
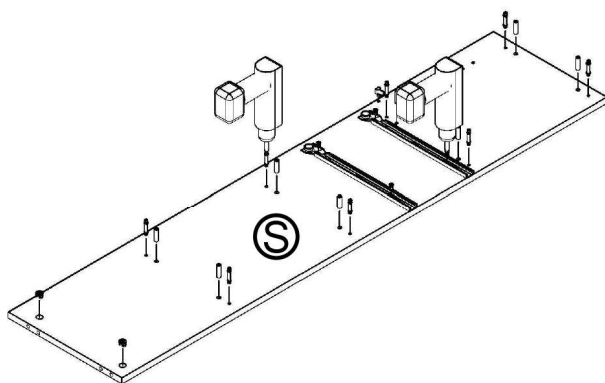
7

SIDE B

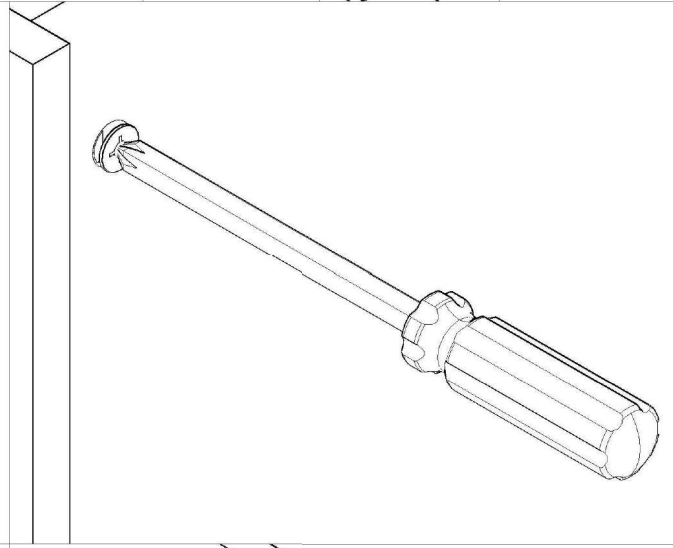
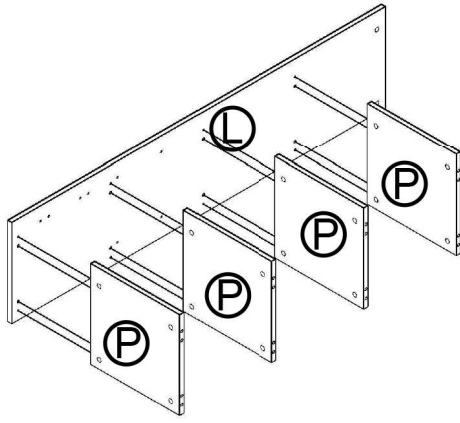


8

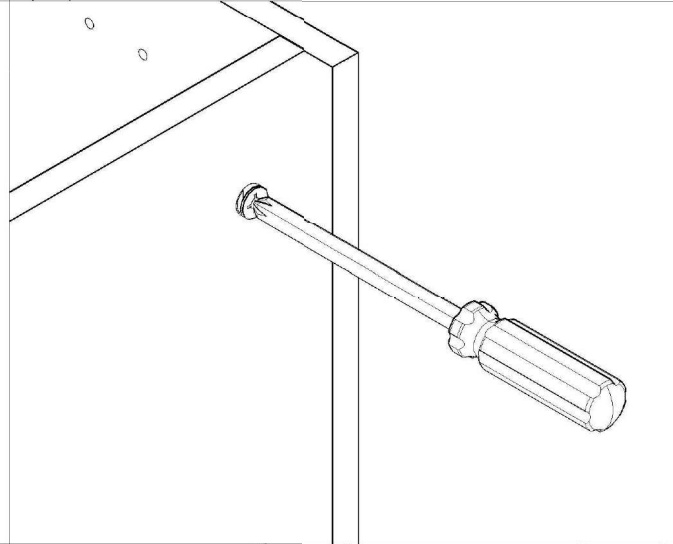
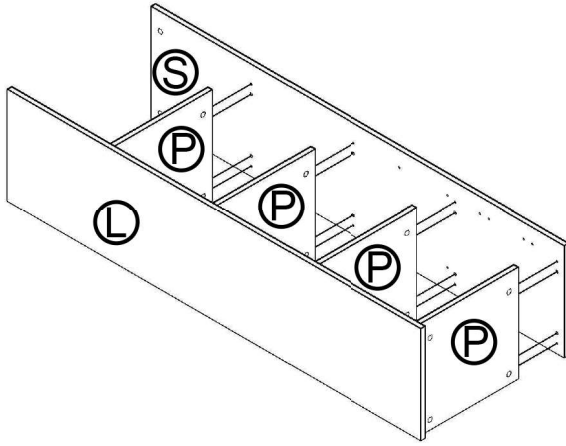
SIDE A



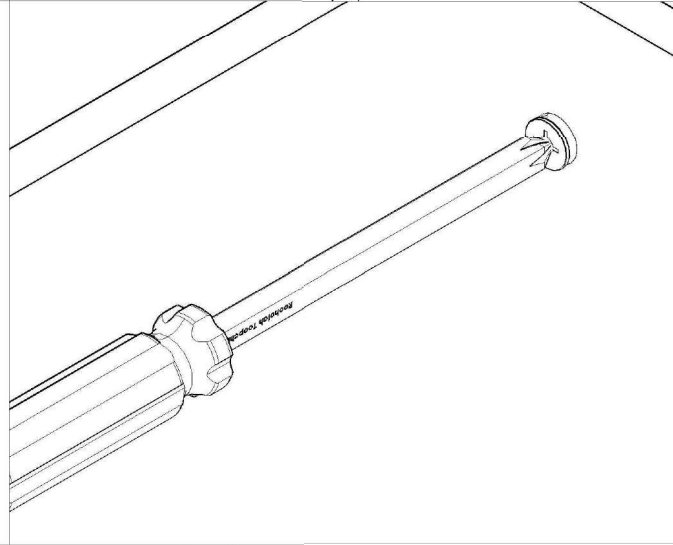
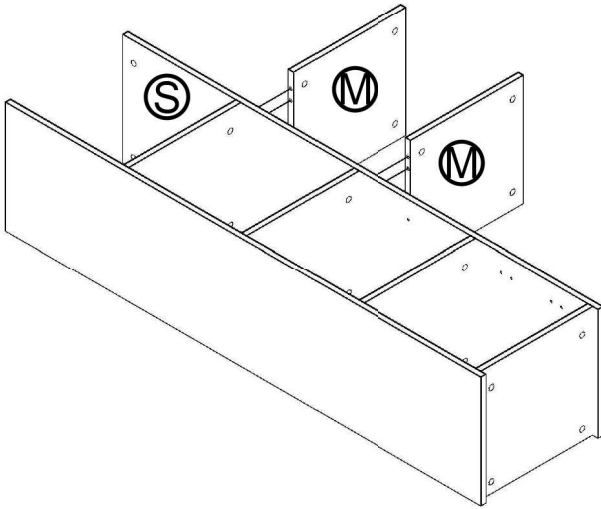
9



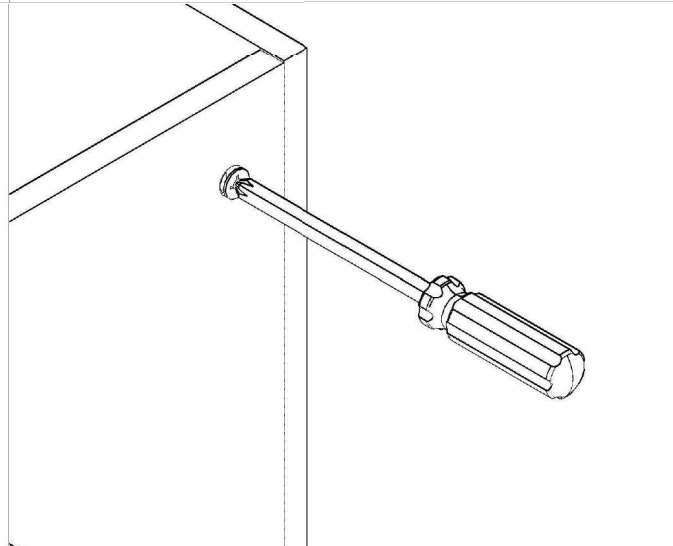
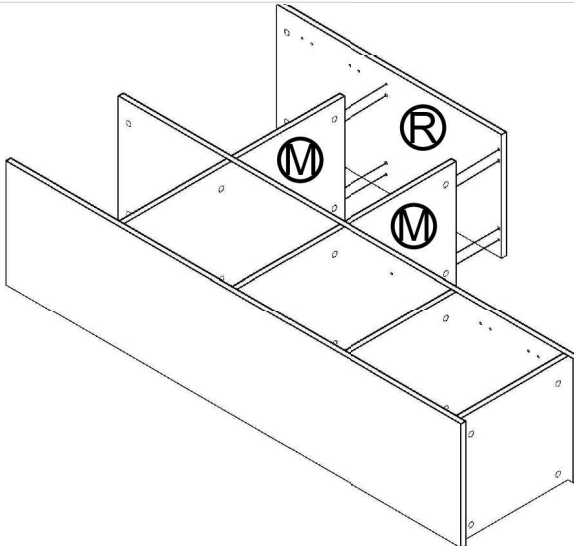
10



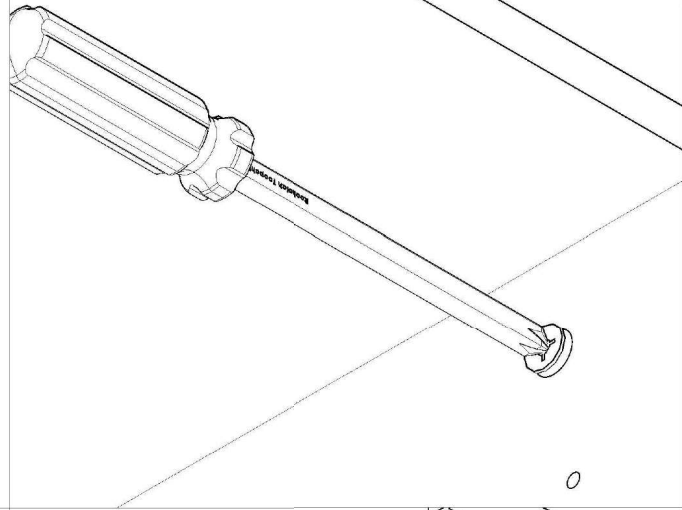
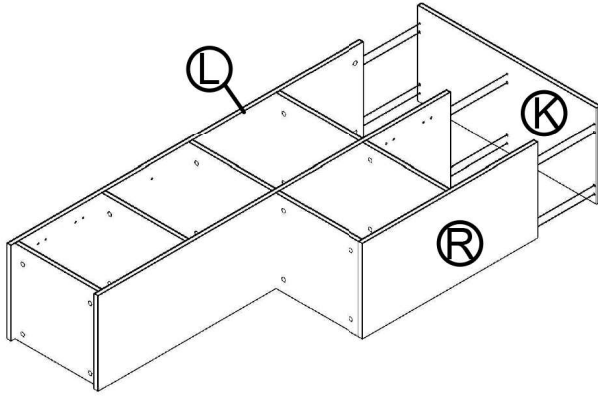
11



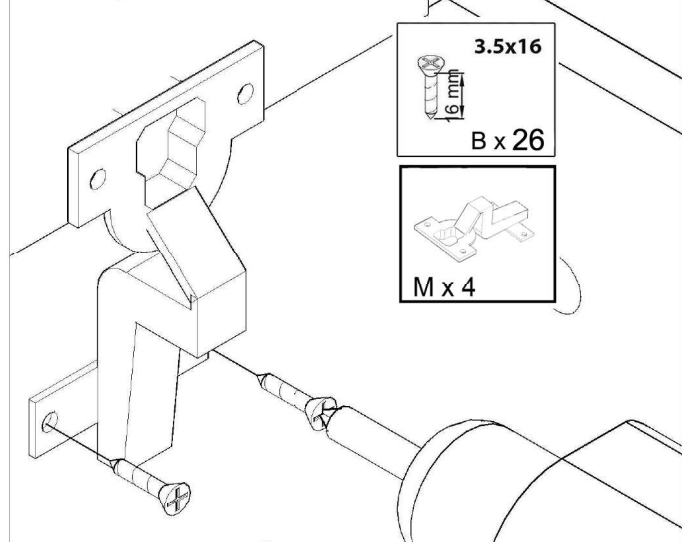
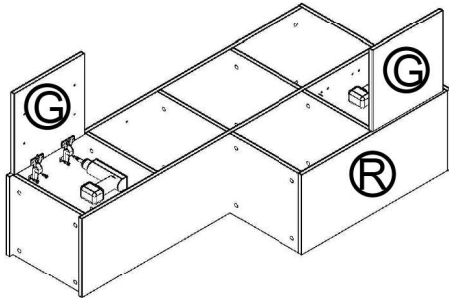
12



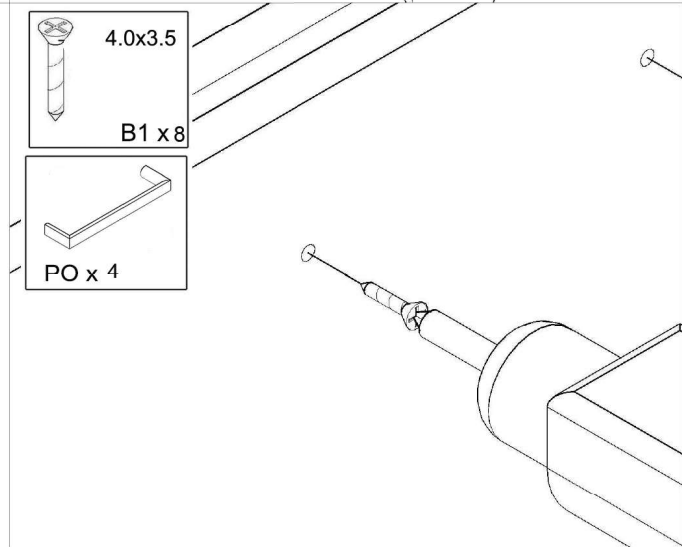
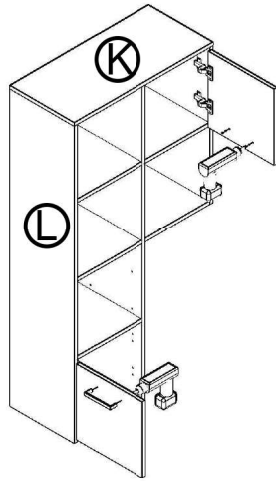
13



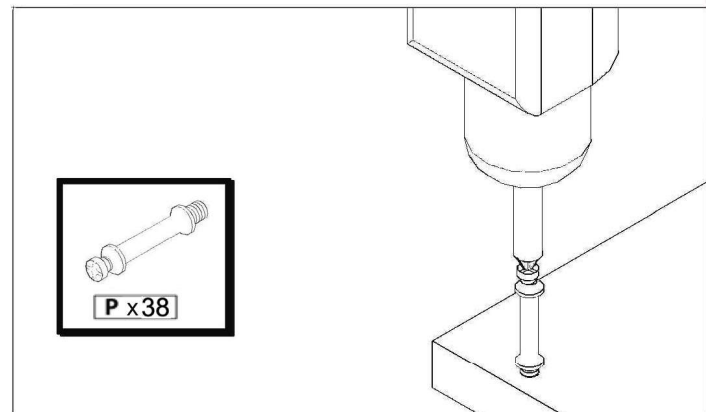
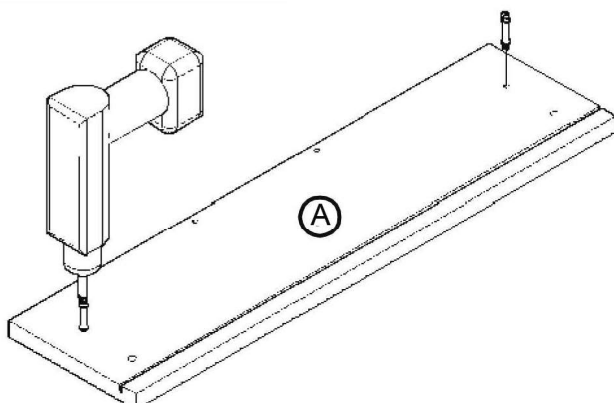
14



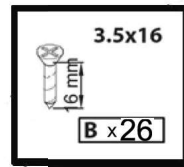
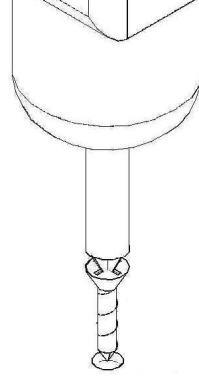
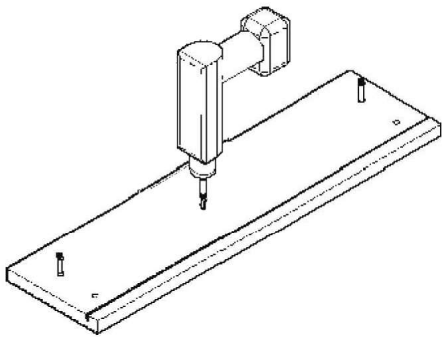
15



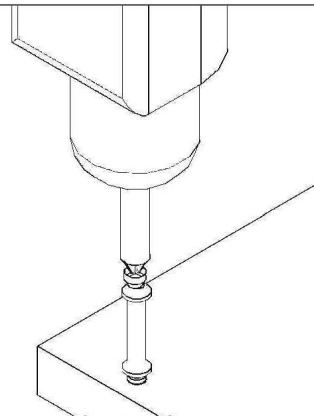
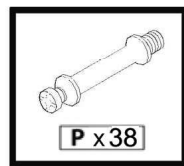
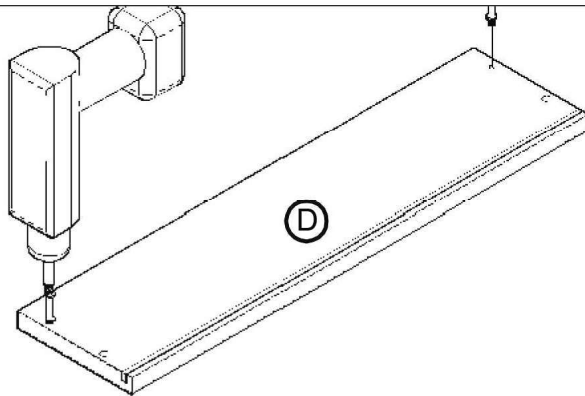
1



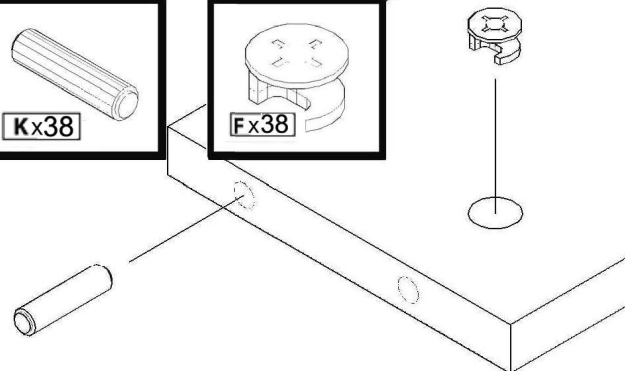
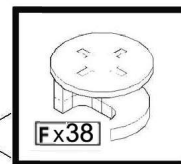
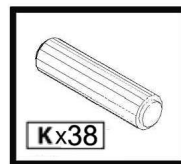
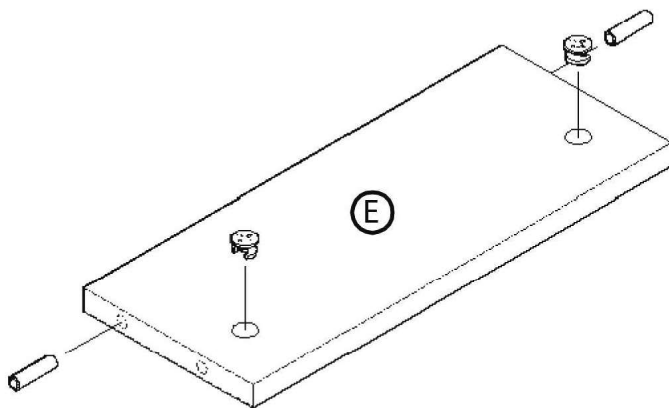
2



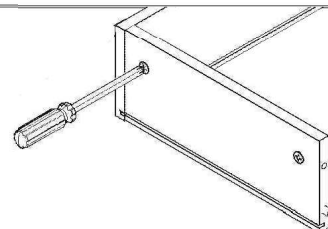
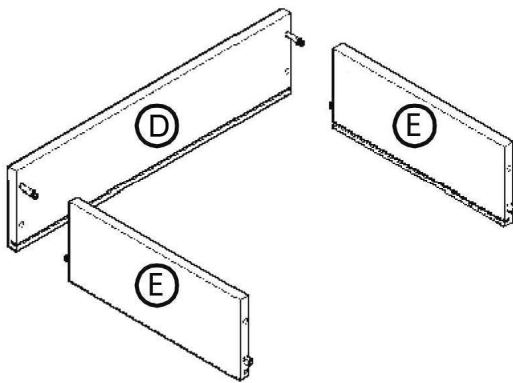
3



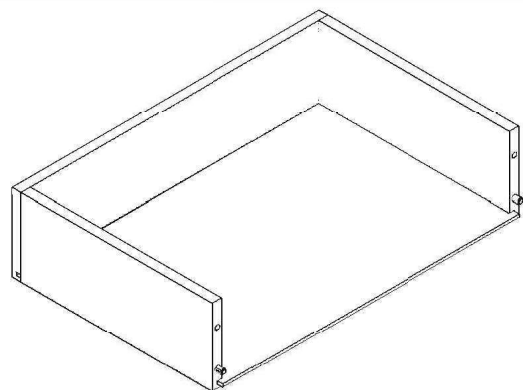
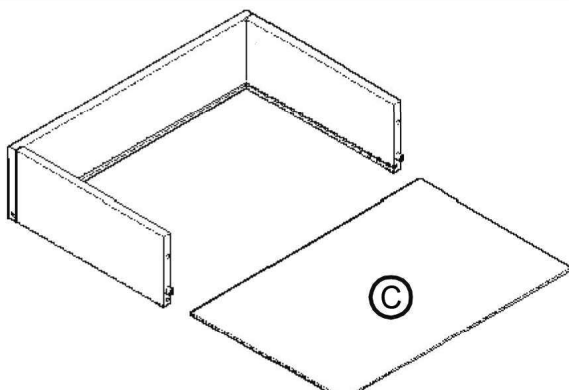
4



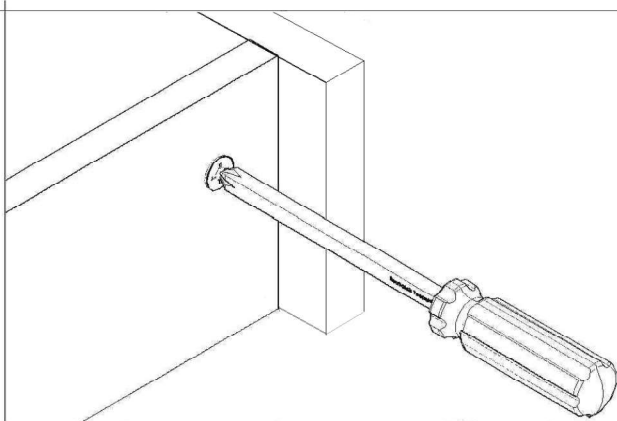
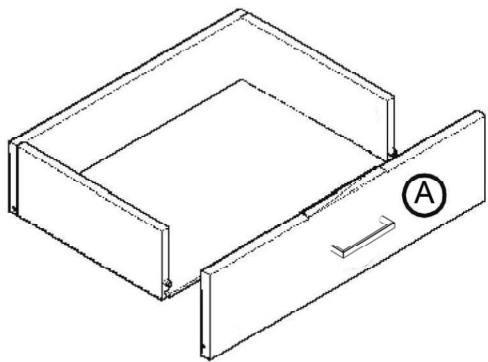
5



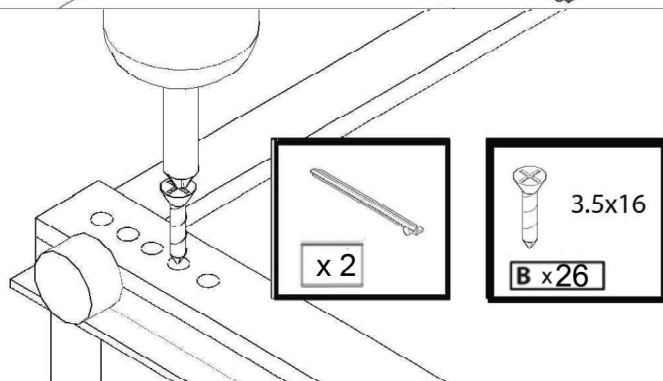
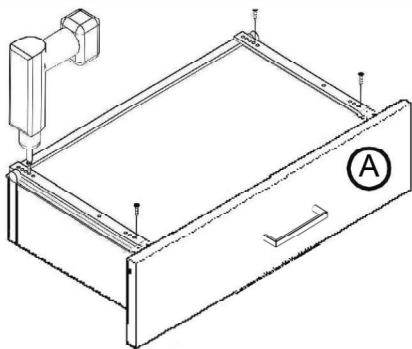
6



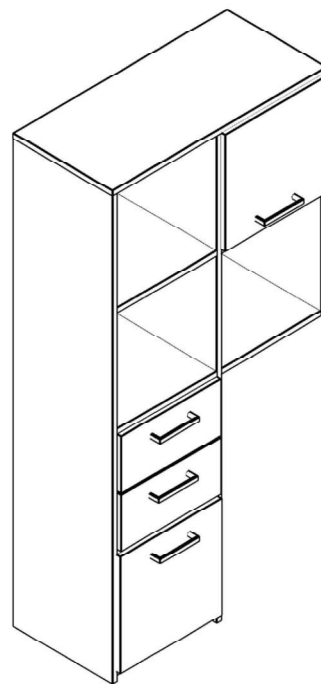
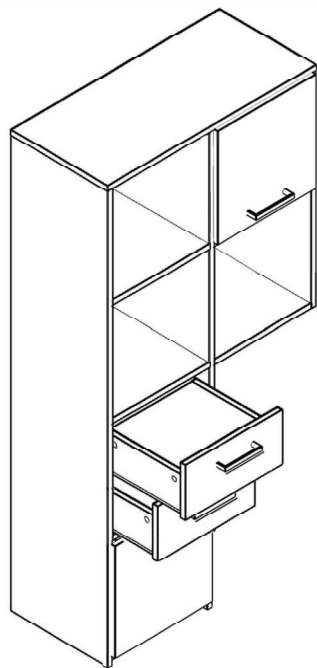
7



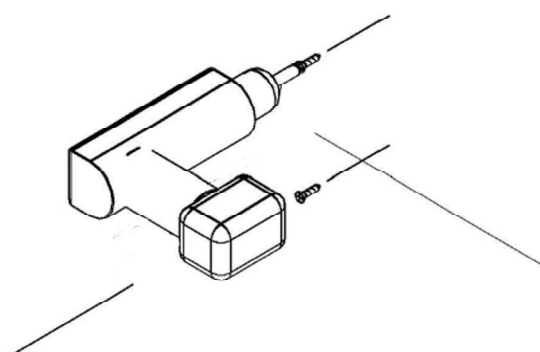
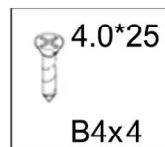
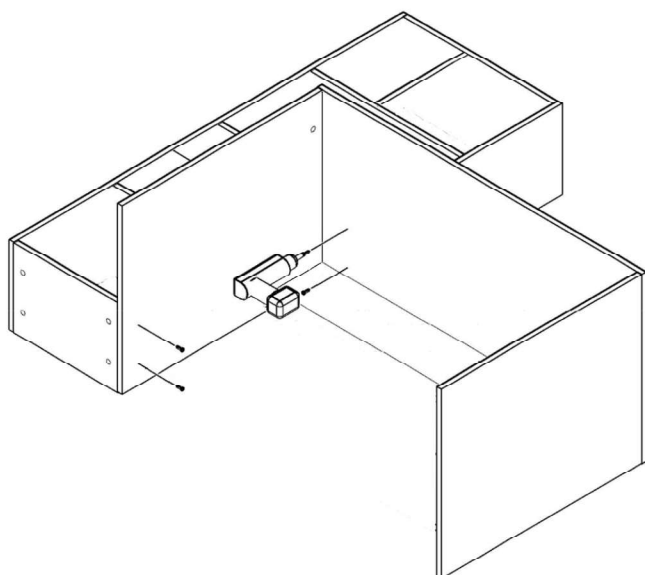
8

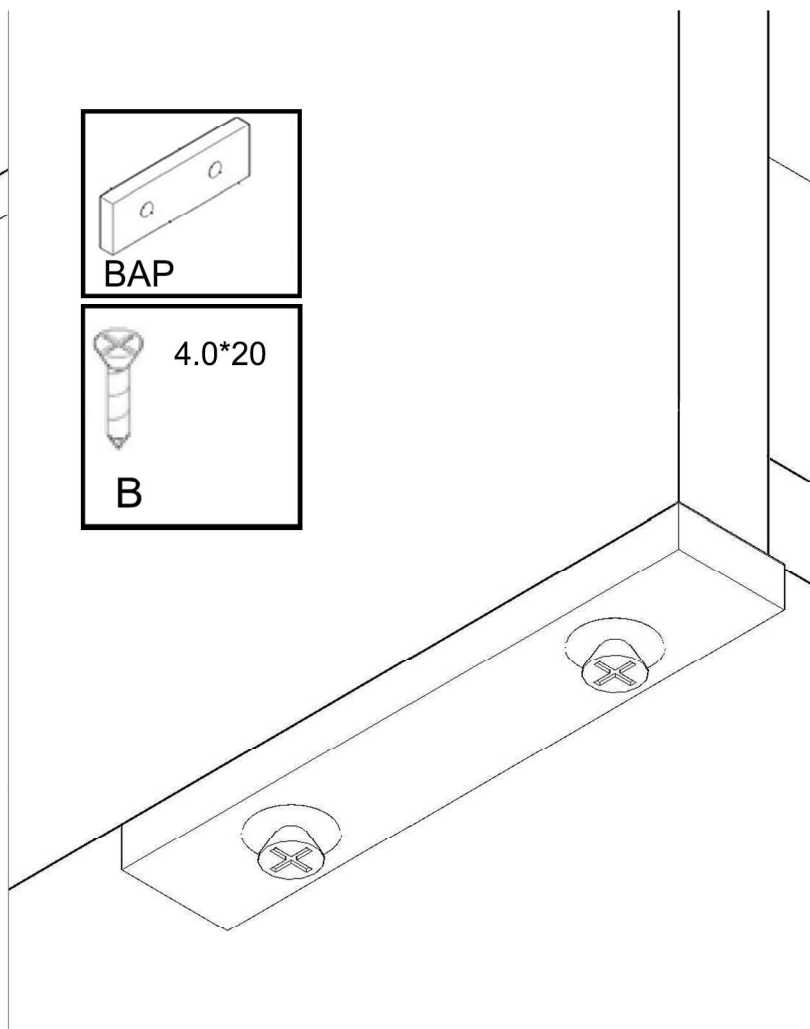
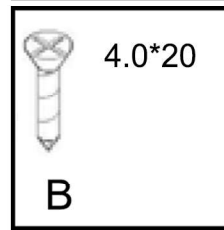
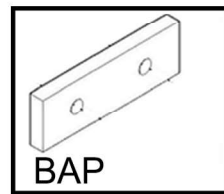
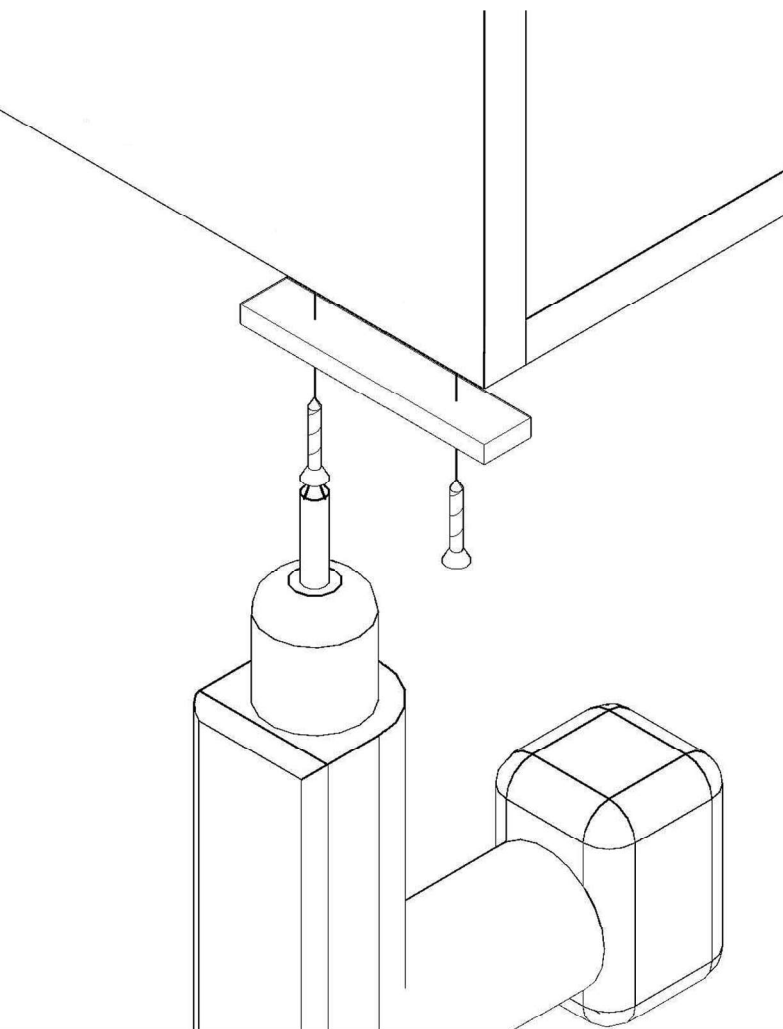


9

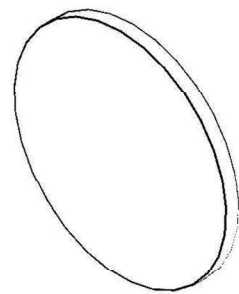
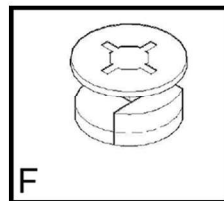
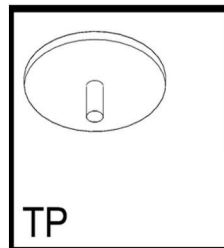
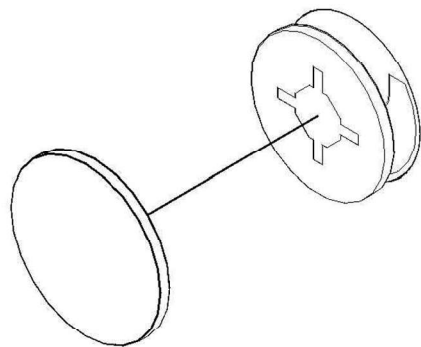


10

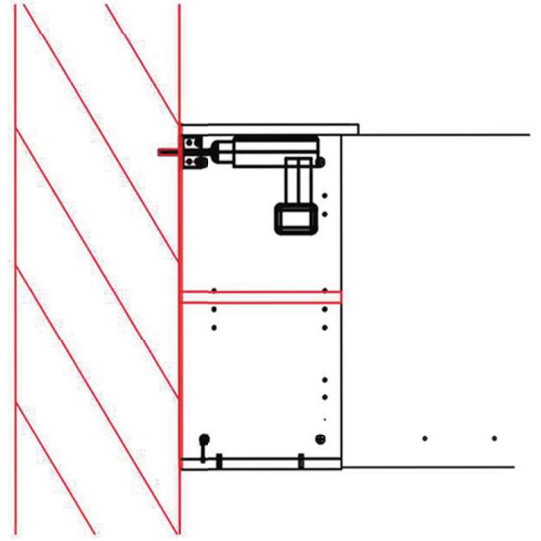
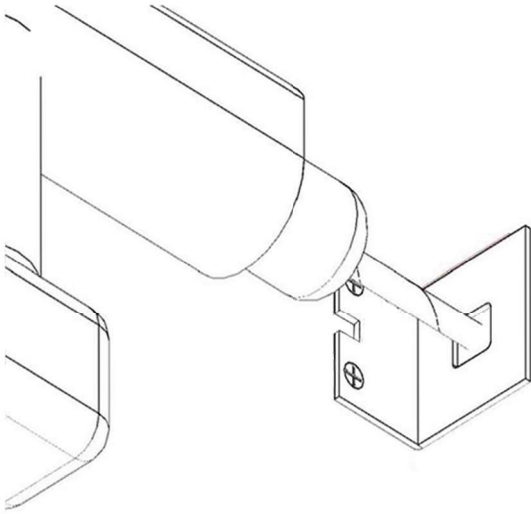




PLASTIC COVER CAPS FOR SCREWS



A



B

