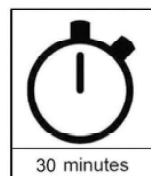
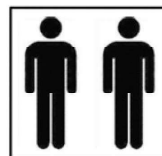
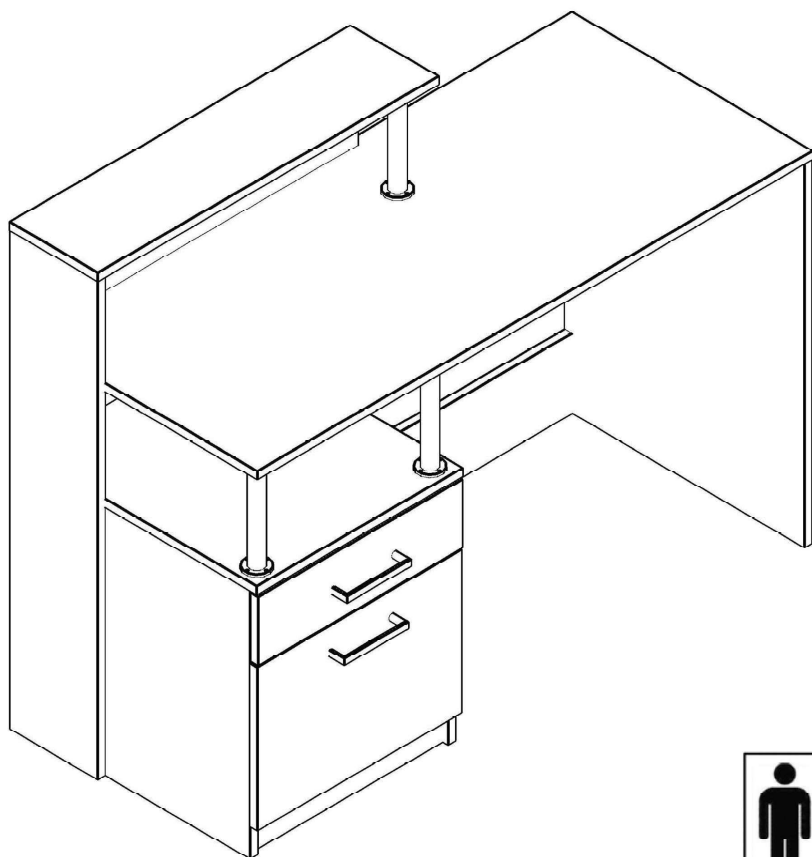
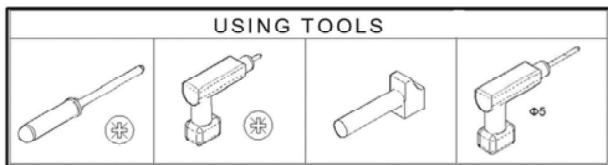
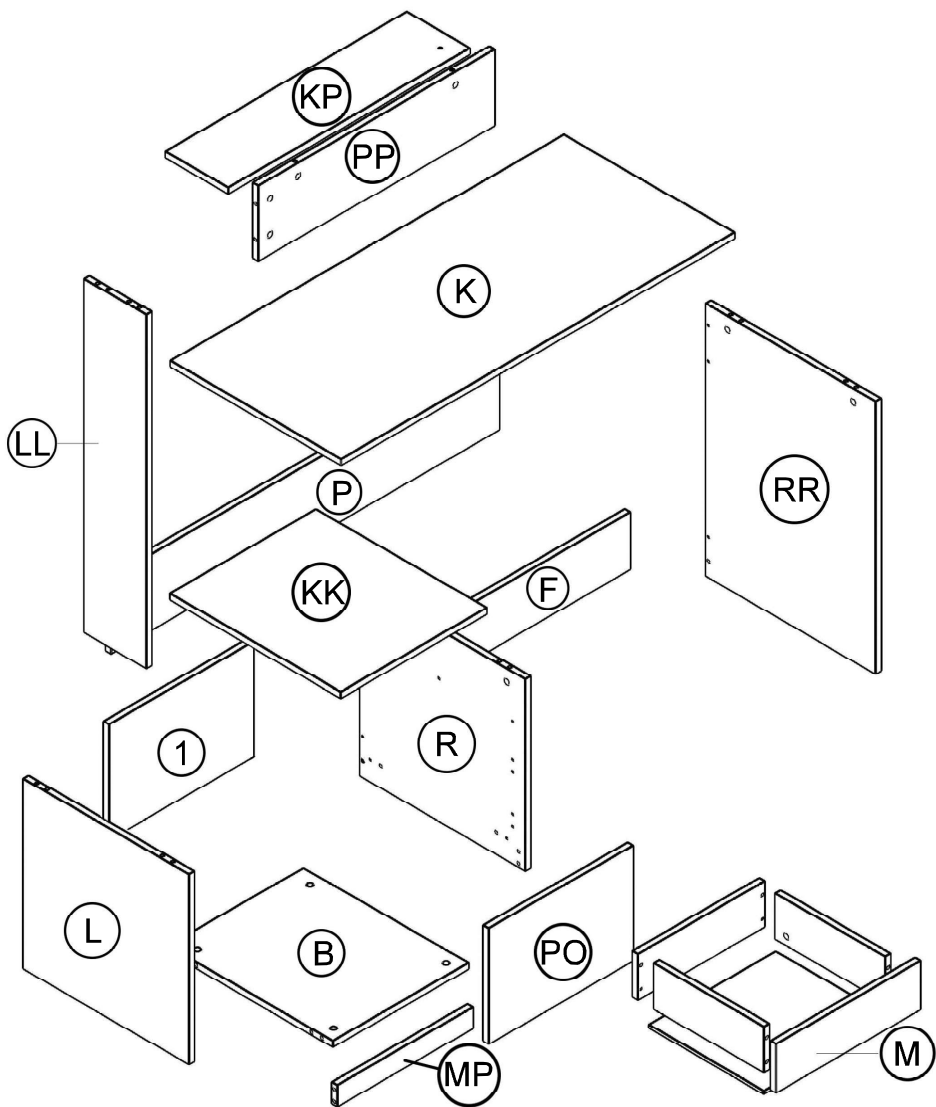


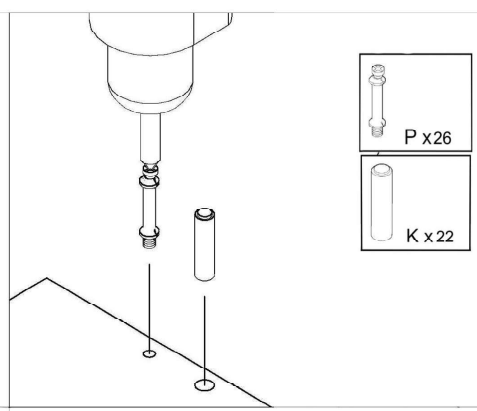
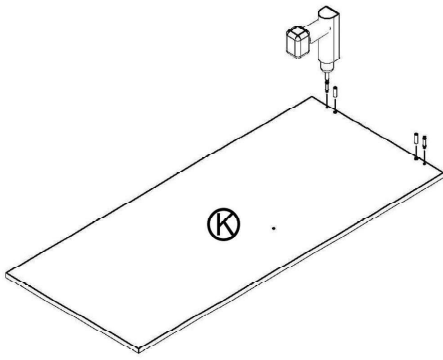
GRK 506



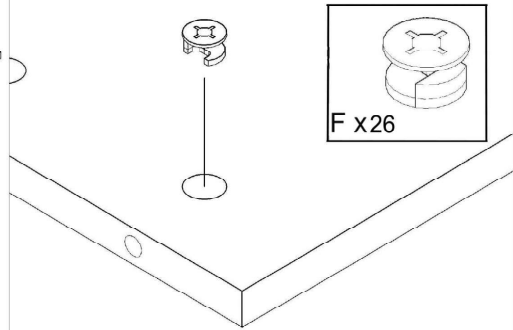
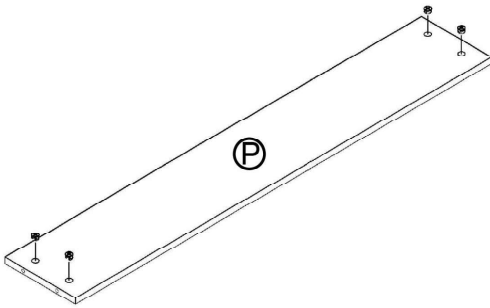


P x26	K x22	F x26	HA x2	3.5*16	BAP x8	K2 x20	
OS x1	TP x26	E x4	4.0*35	ORTH x3	MIX 2	B x16	3.5*30
			B2 x4				B3 x2

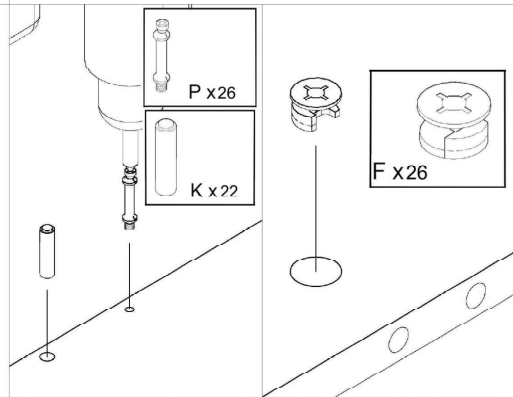
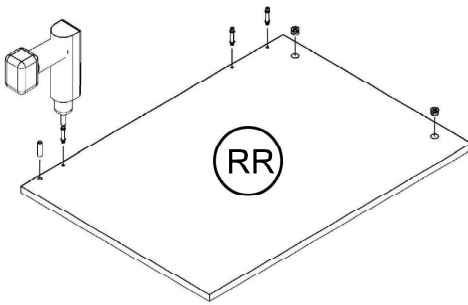
1



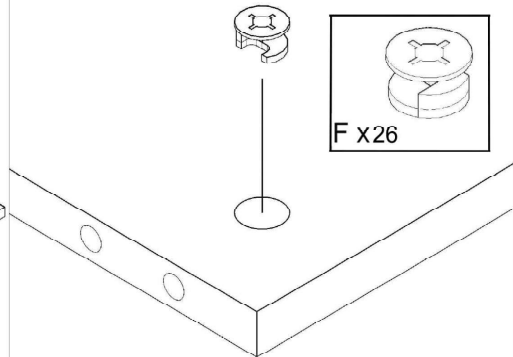
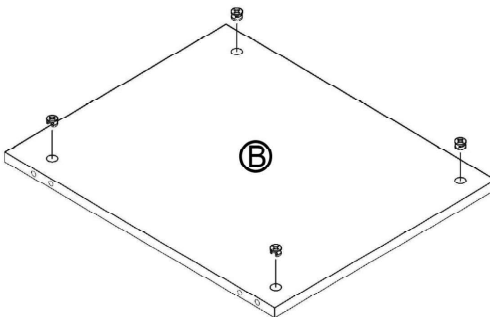
2



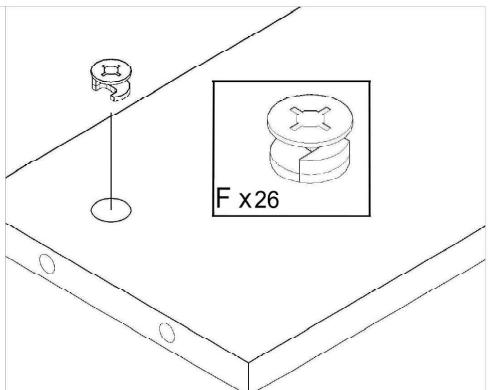
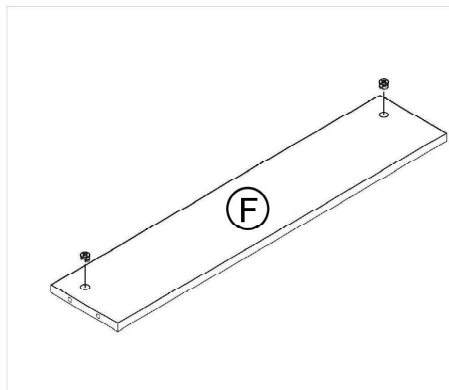
3



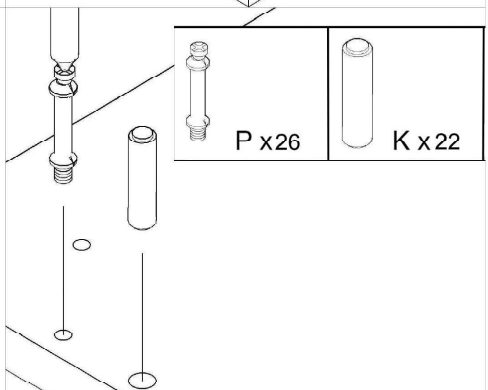
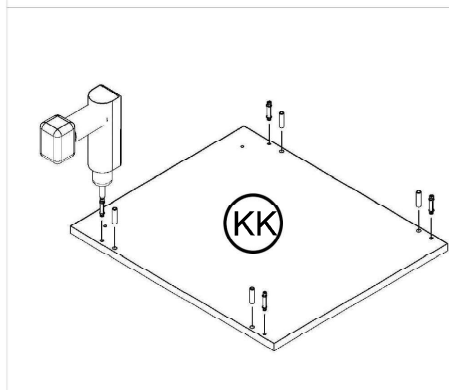
4



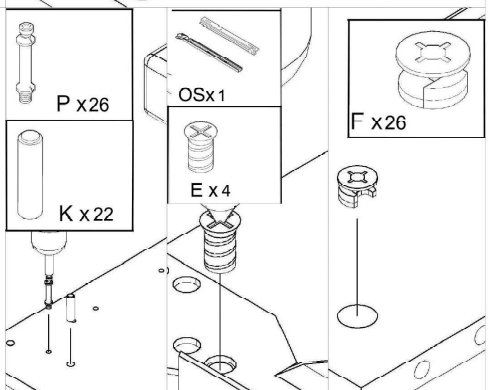
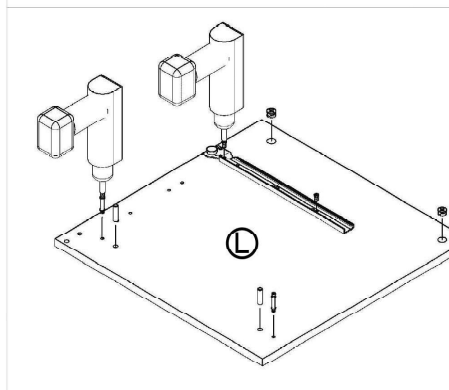
5



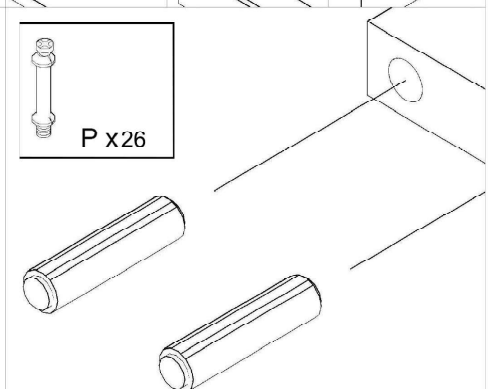
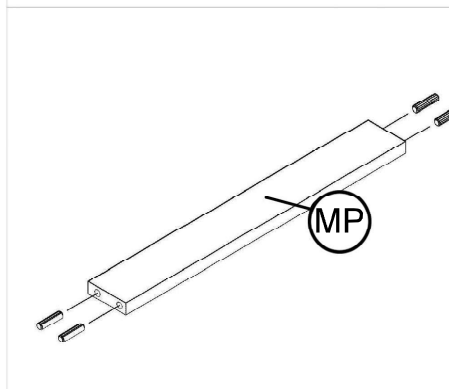
6



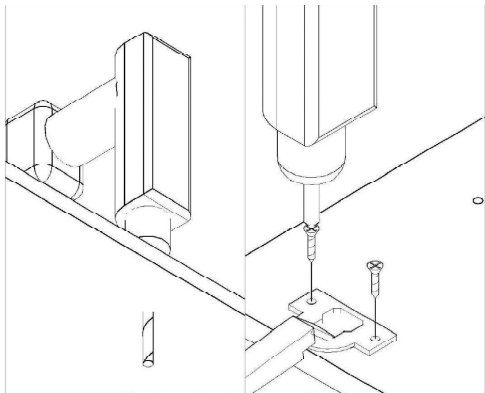
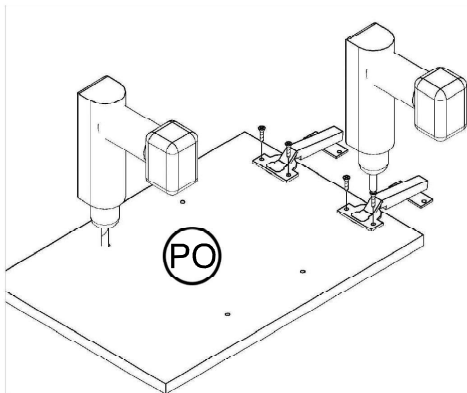
7



8

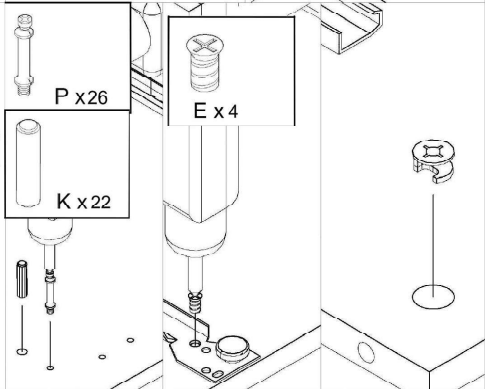
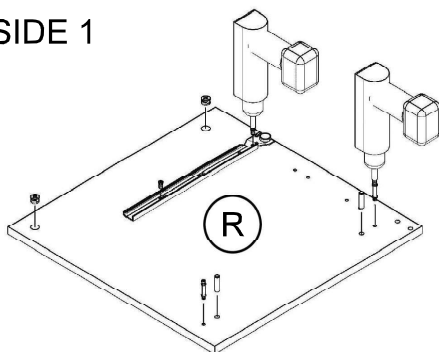


9



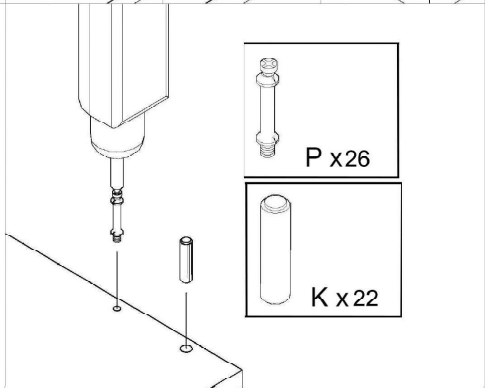
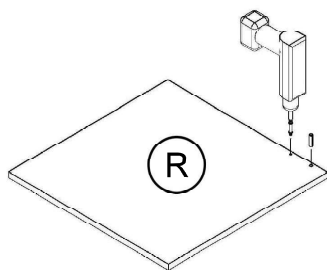
10

SIDE 1

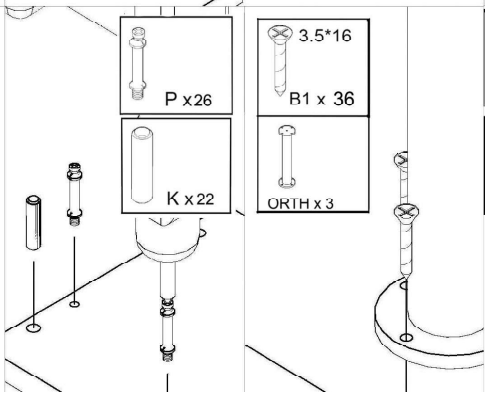
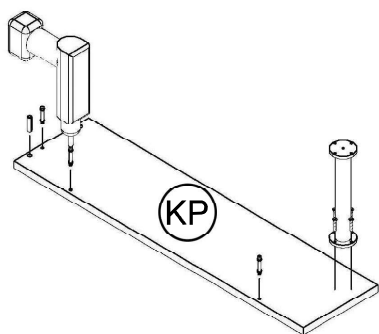


11

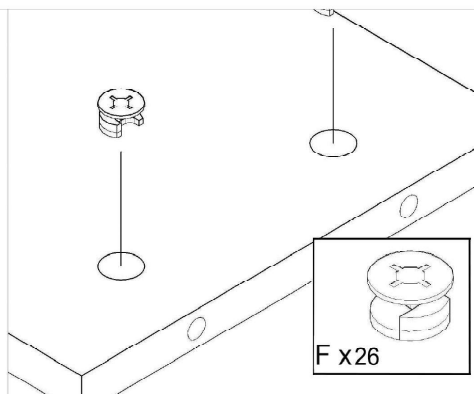
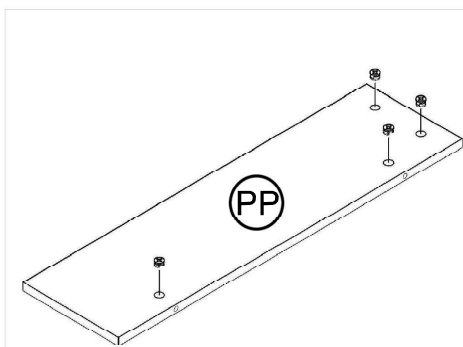
SIDE 2



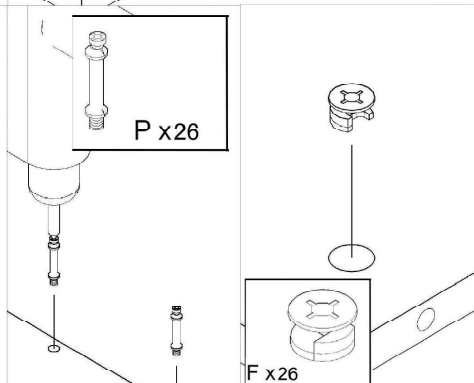
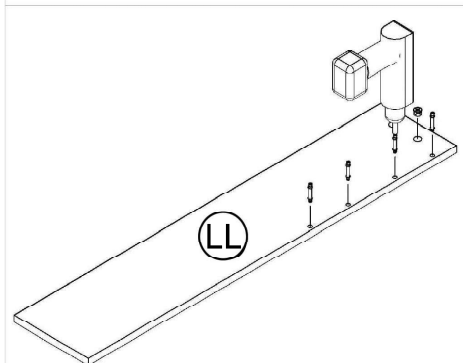
12



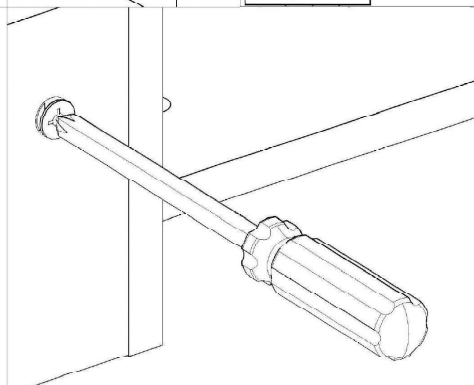
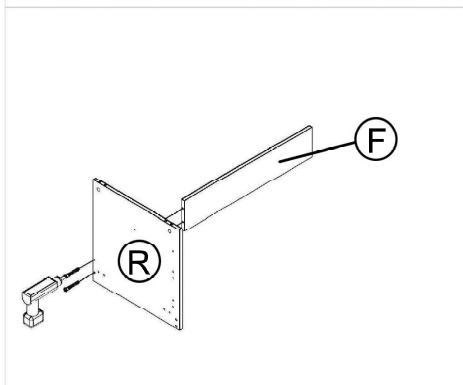
13



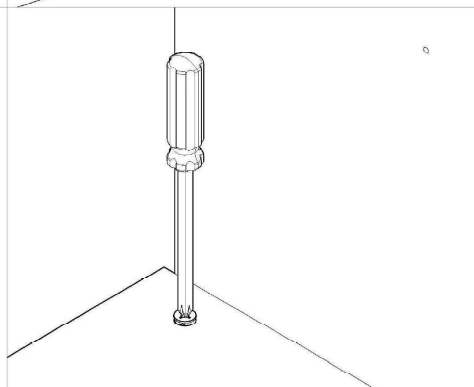
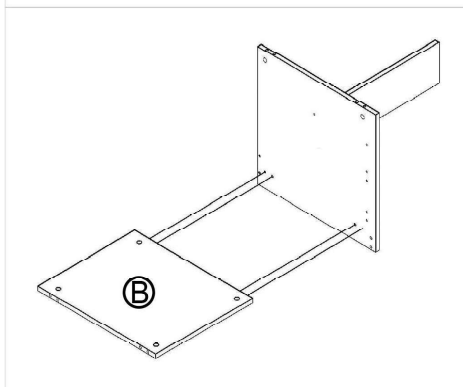
14



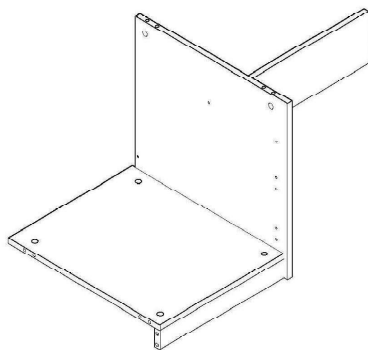
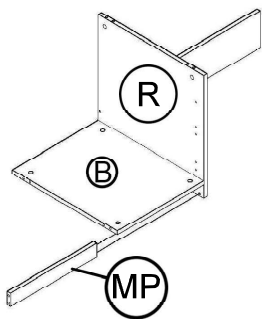
15



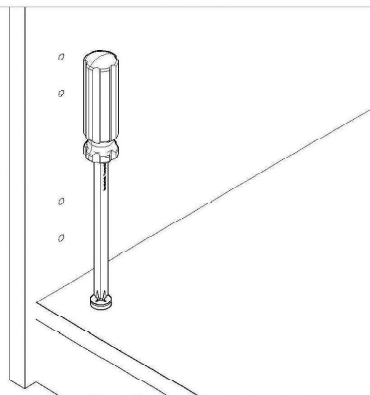
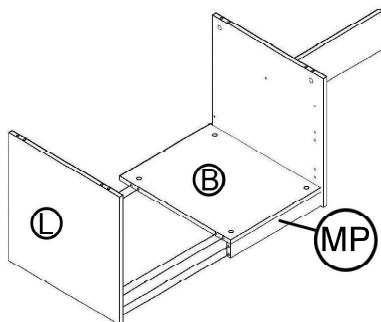
16



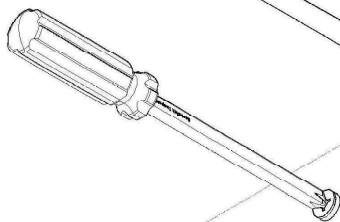
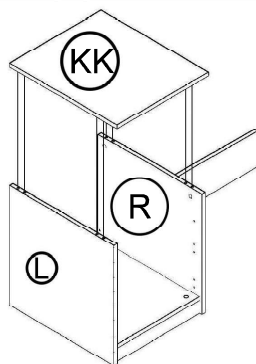
17



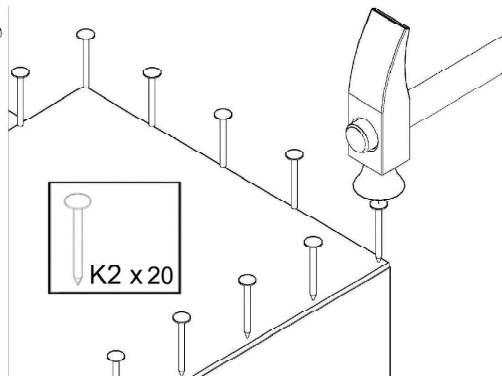
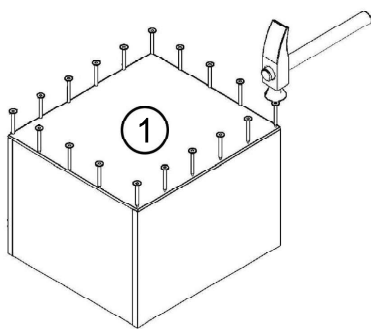
18



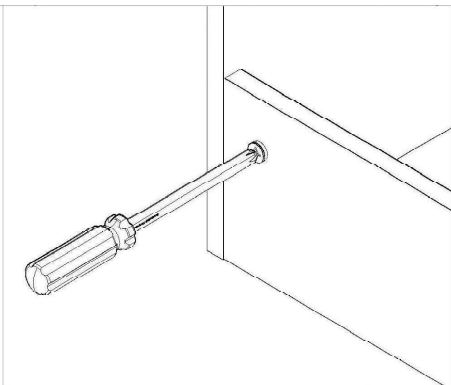
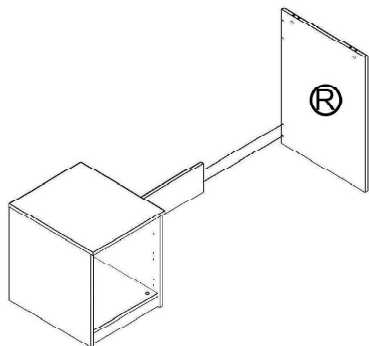
19



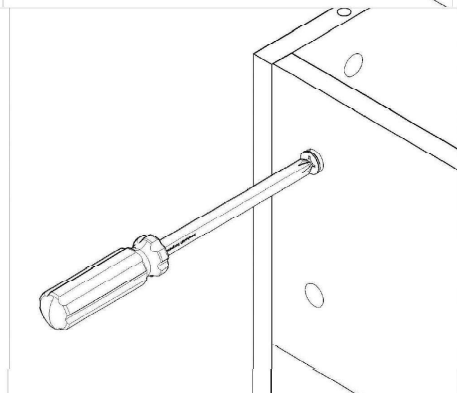
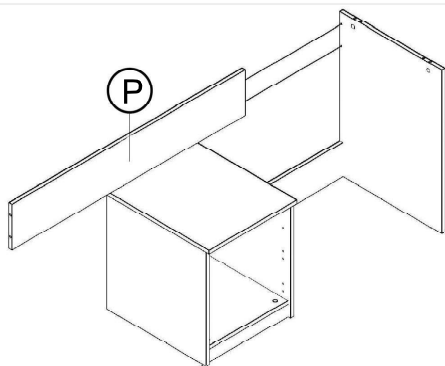
20



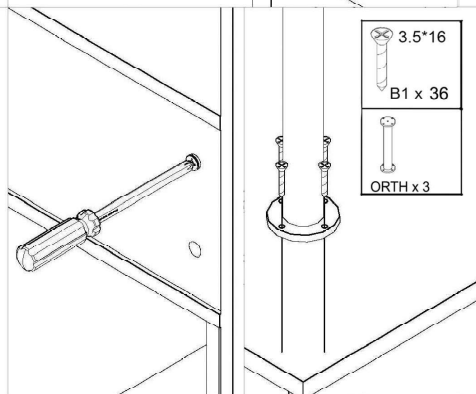
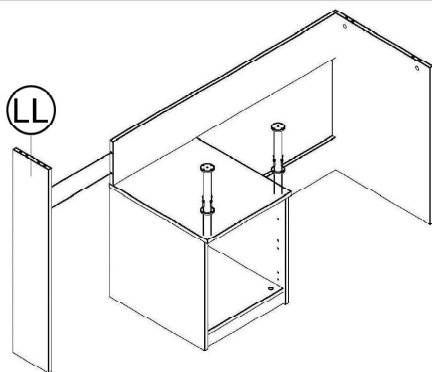
21



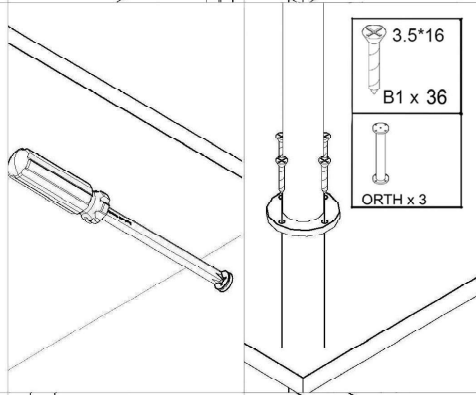
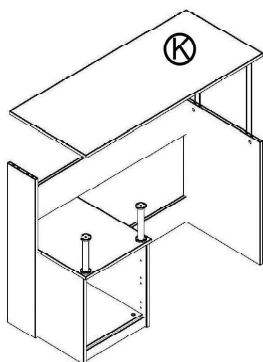
22



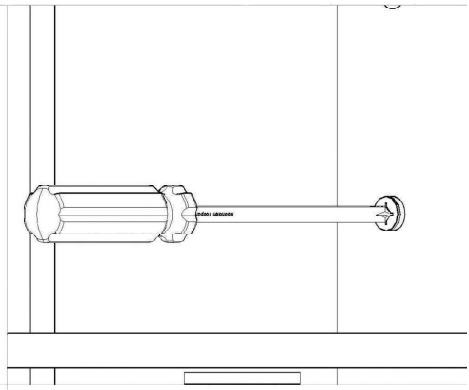
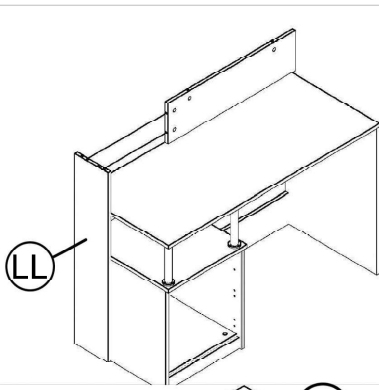
23



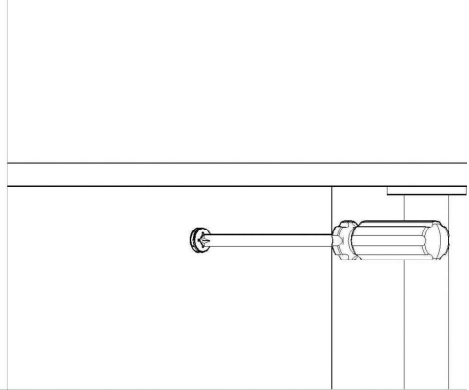
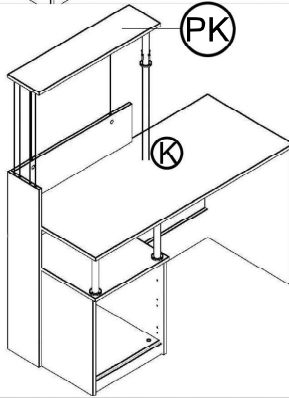
24



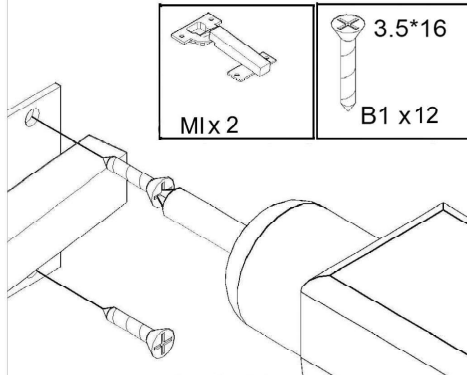
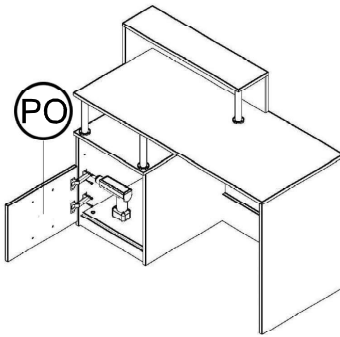
25



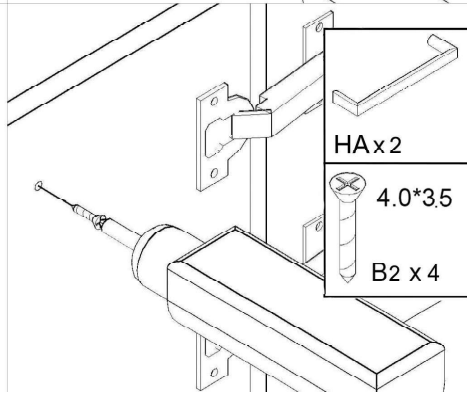
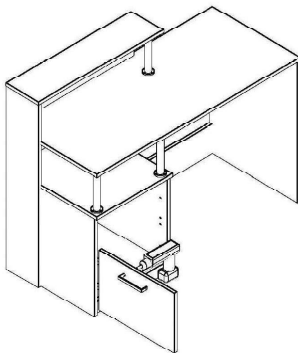
26



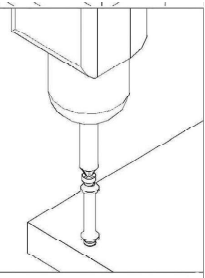
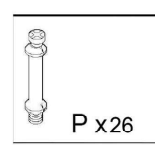
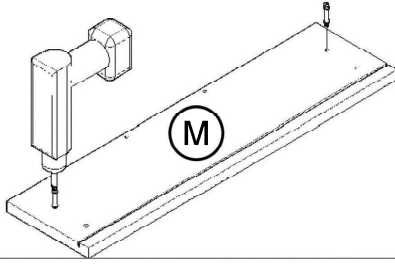
27



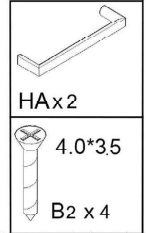
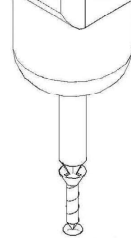
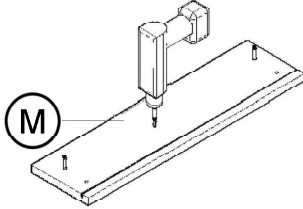
28



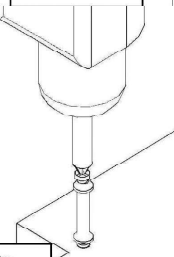
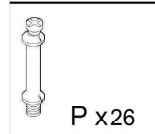
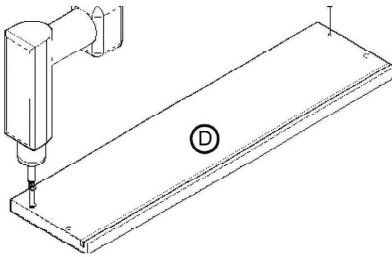
1



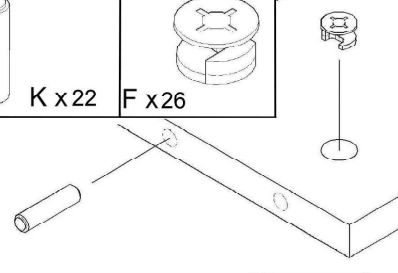
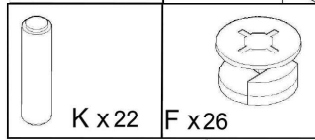
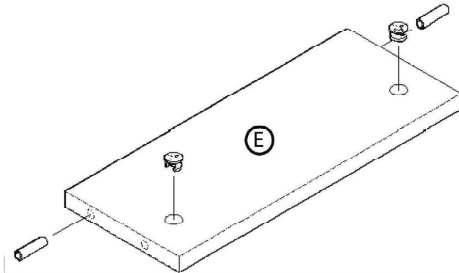
2



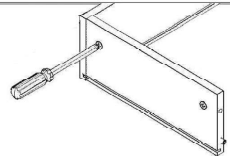
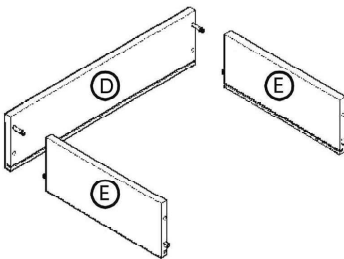
3



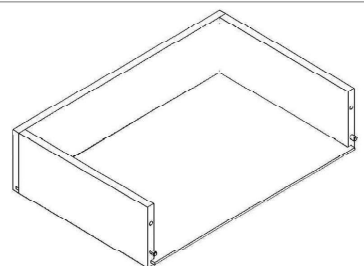
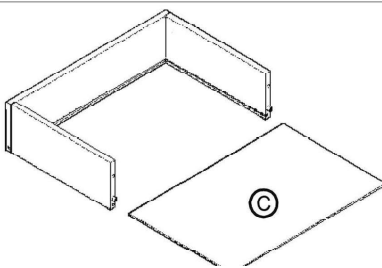
4



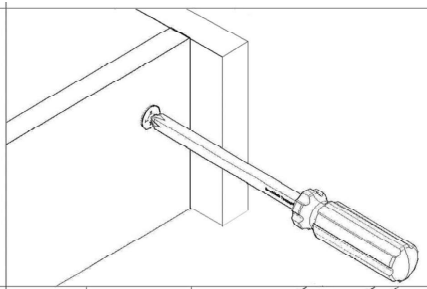
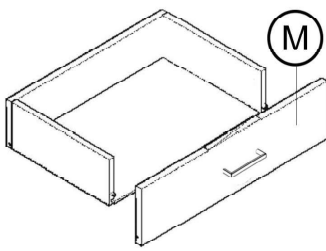
5



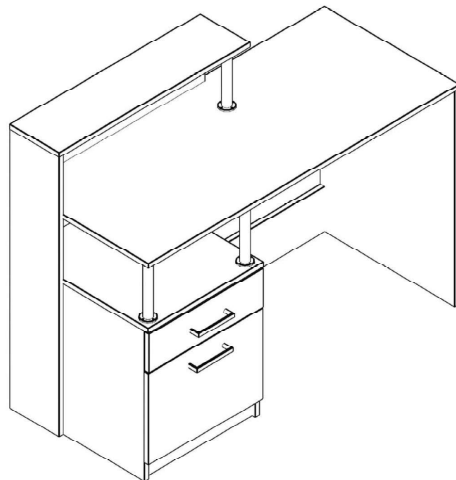
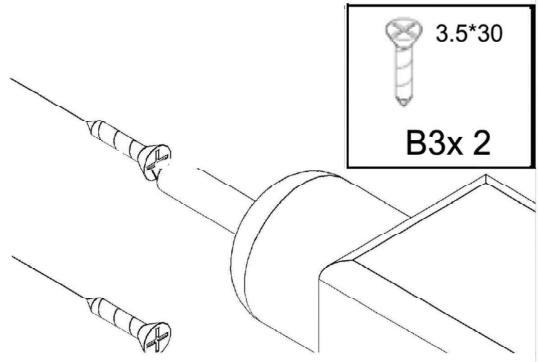
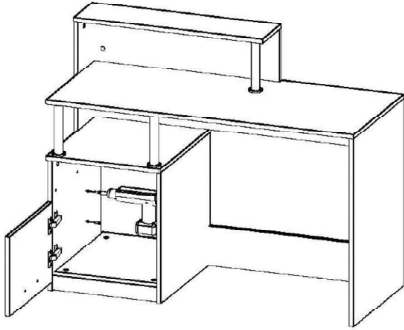
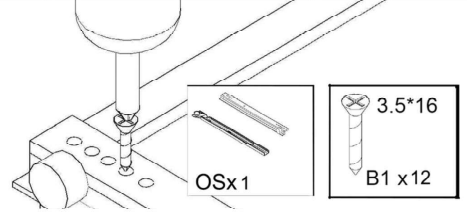
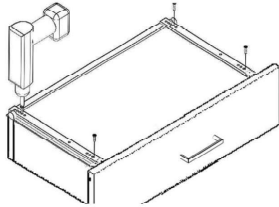
6

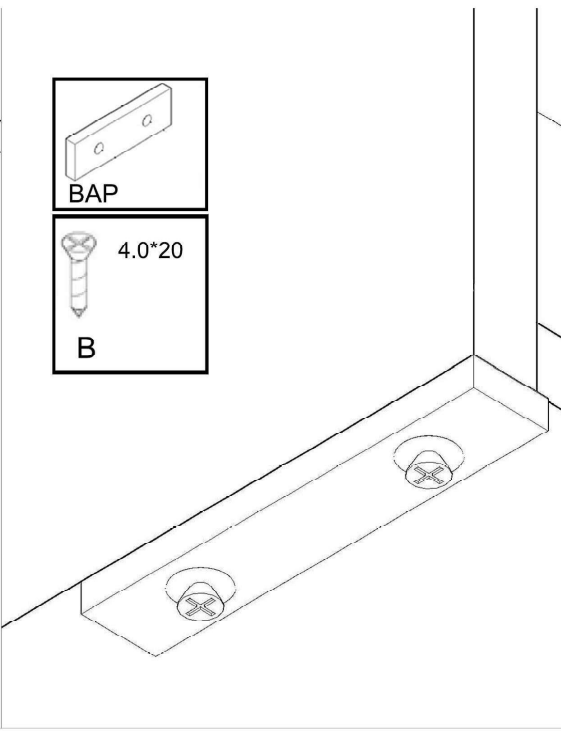
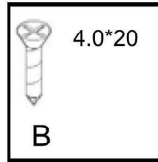
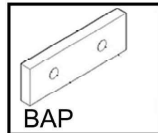
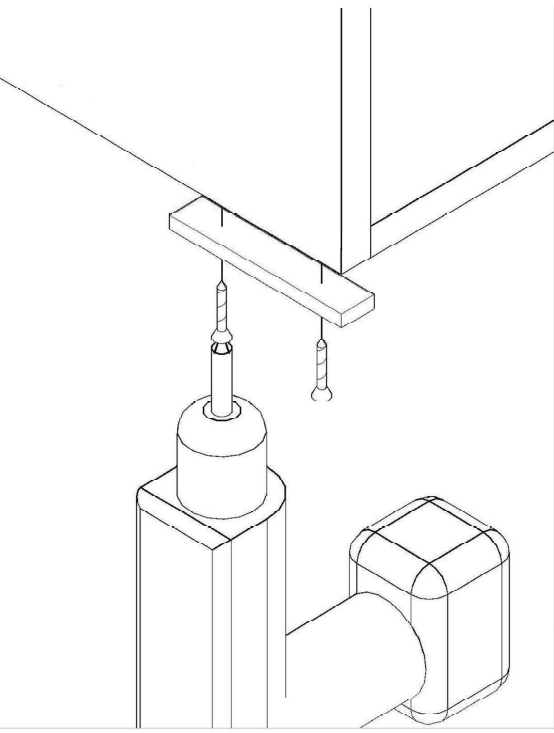


7



8





PLASTIC COVER CAPS FOR SCREWS

