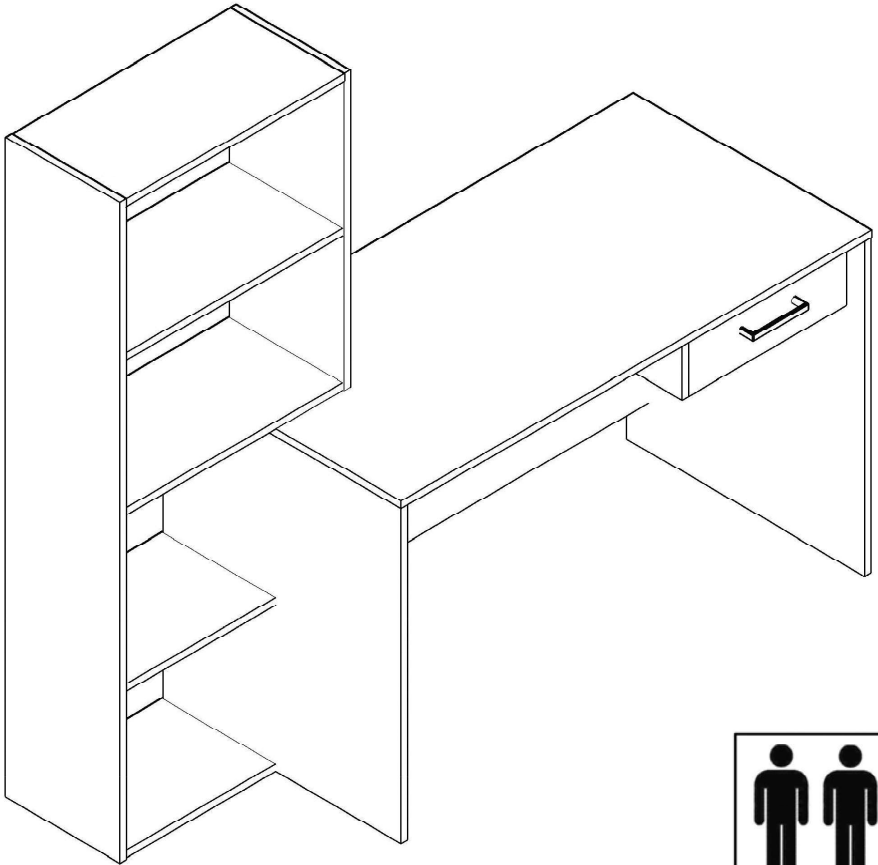
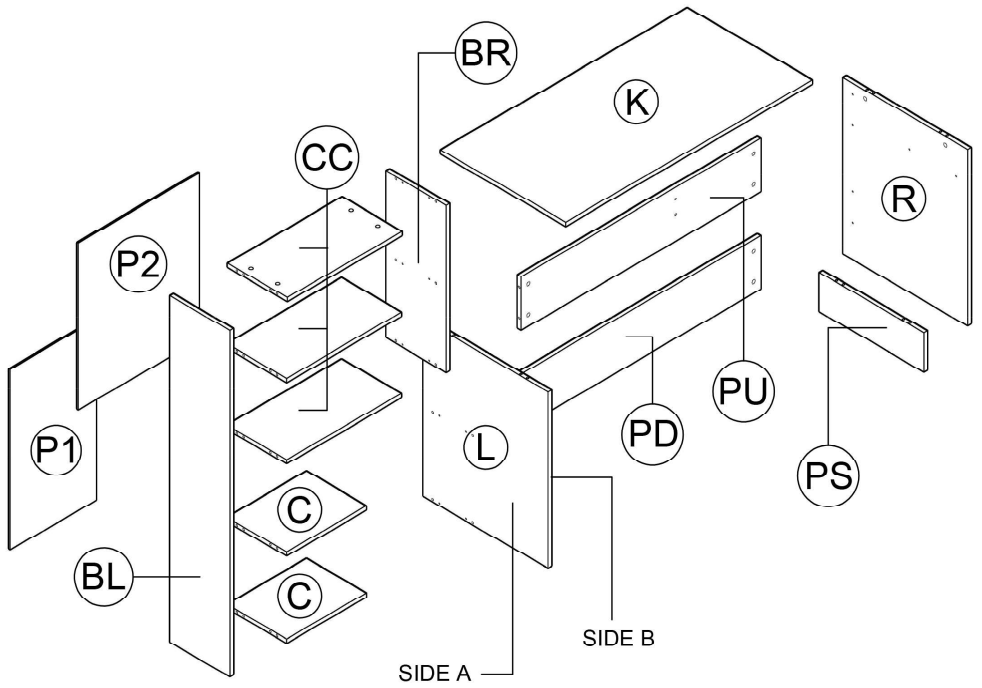
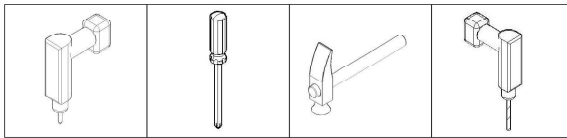






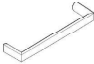







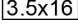
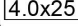


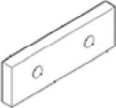
GRK519



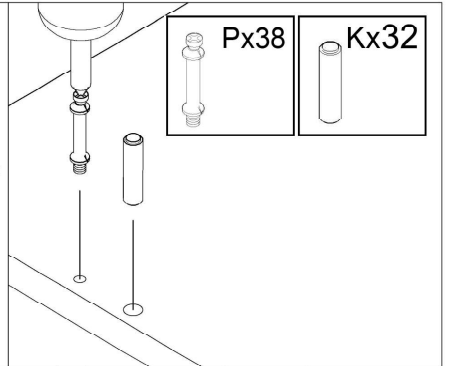
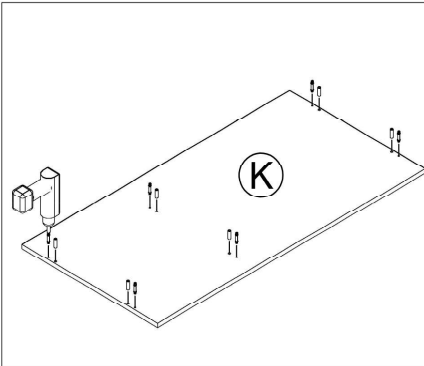


USING TOOLS

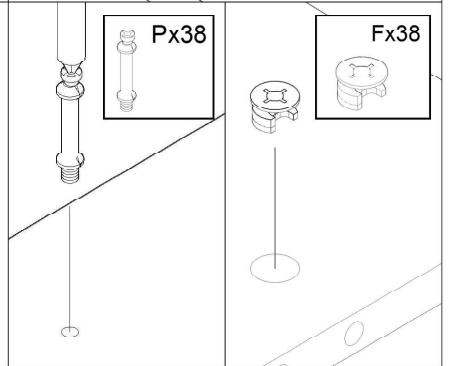
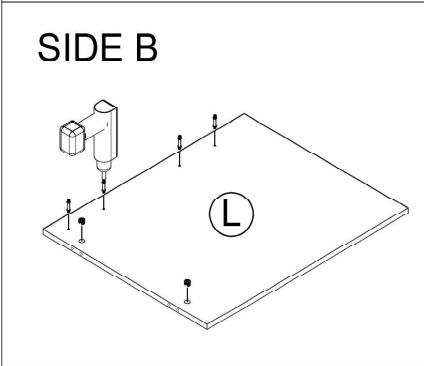


 Px38	 Kx32	 Fx38	 Nx20	 HAx1	 TPx38
 Ex4	 Sx1	 B1x4	 B2x2	 B3x2	 4.0*20
		 3.5x16	 4.0x25	 4.0x35	 B4x12
					 BAPx6

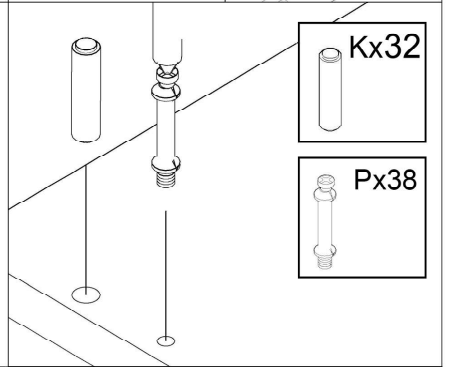
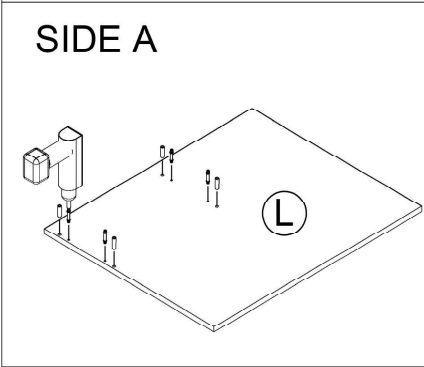
1



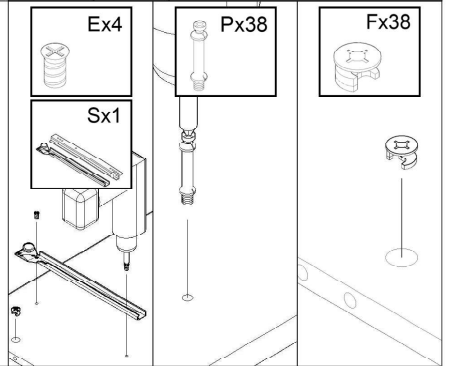
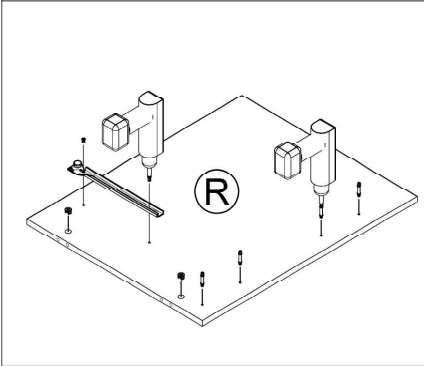
2



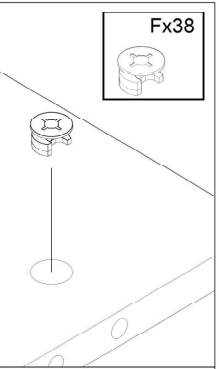
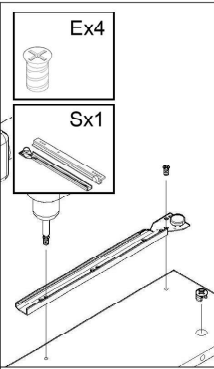
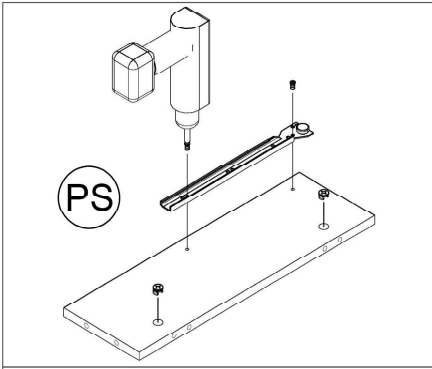
3



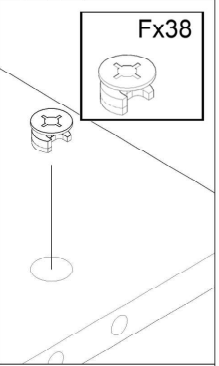
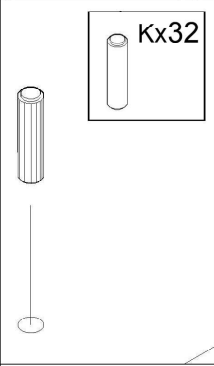
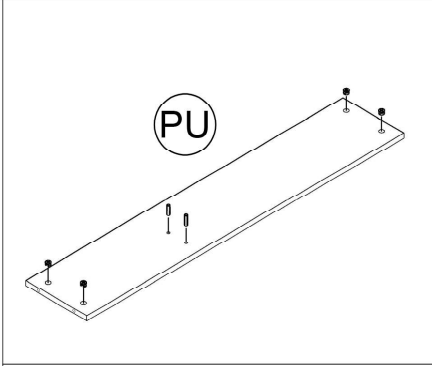
4



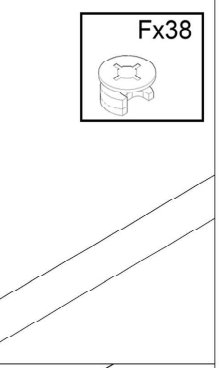
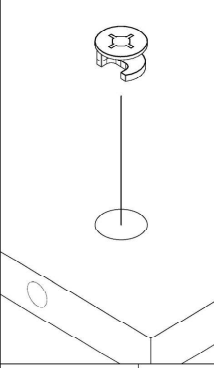
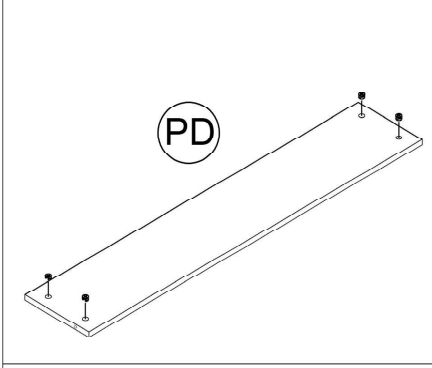
5



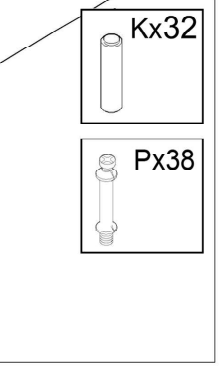
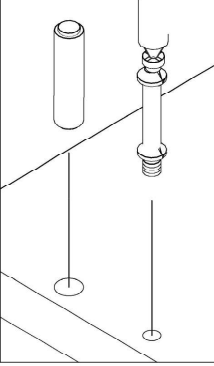
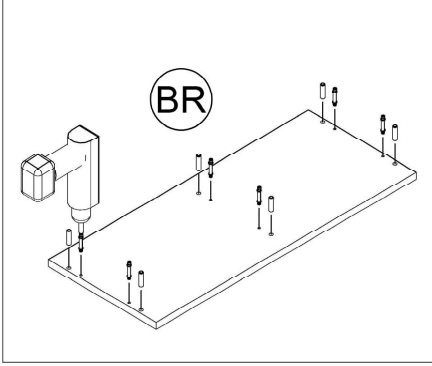
6



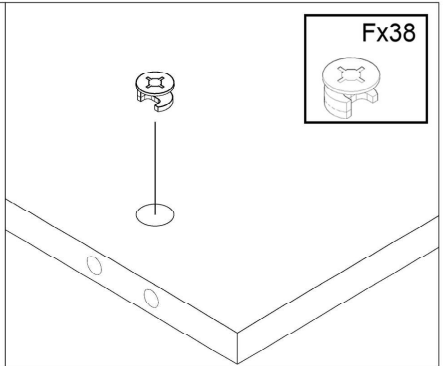
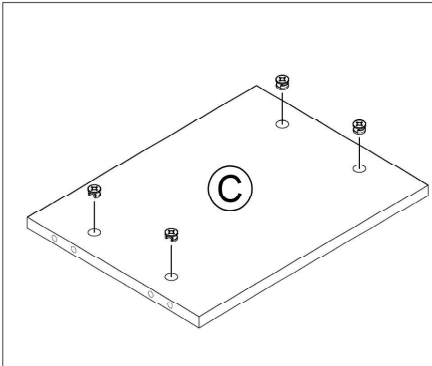
7



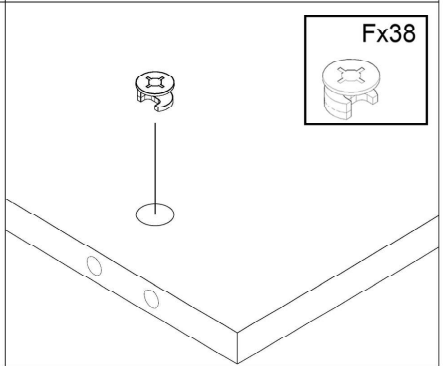
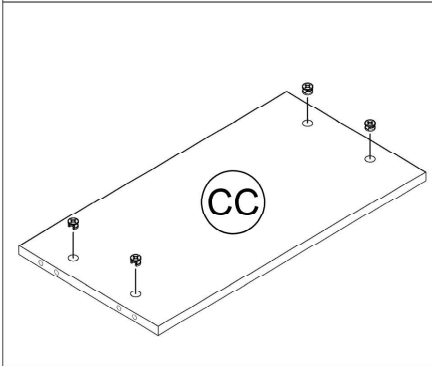
8



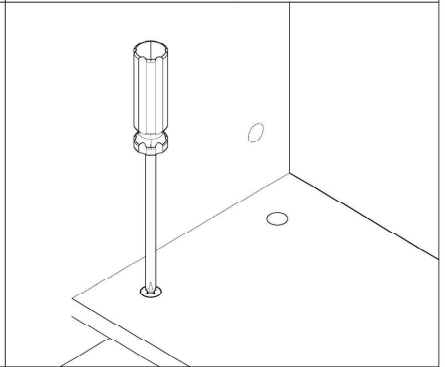
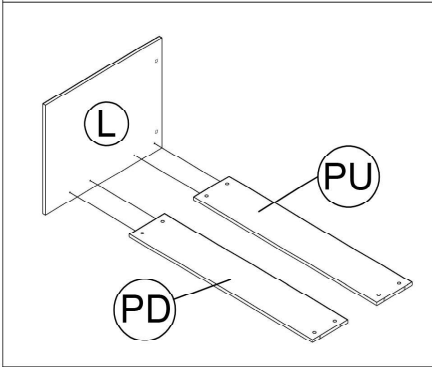
9



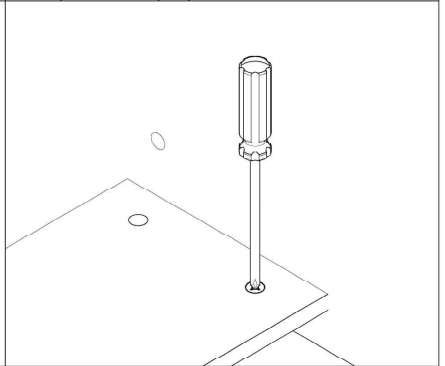
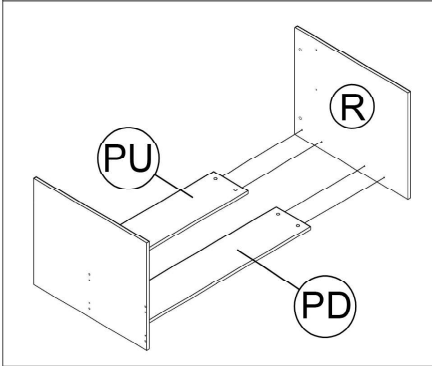
10



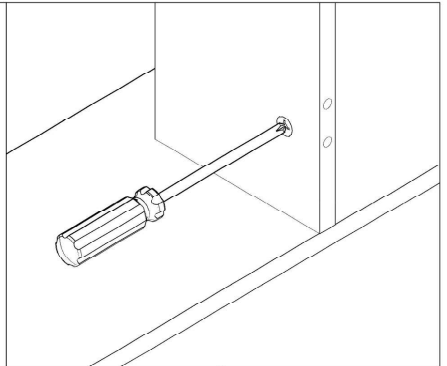
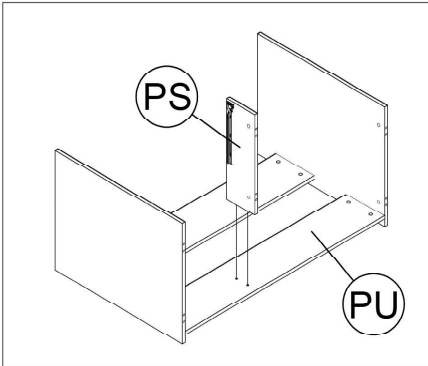
11



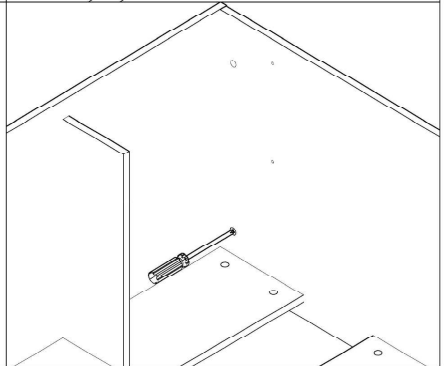
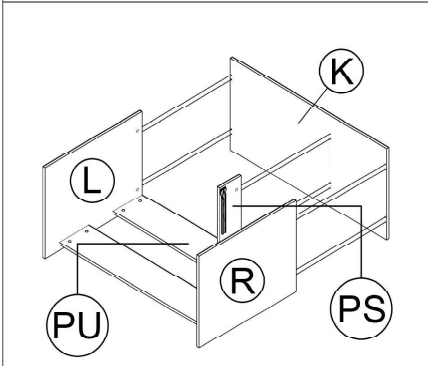
12



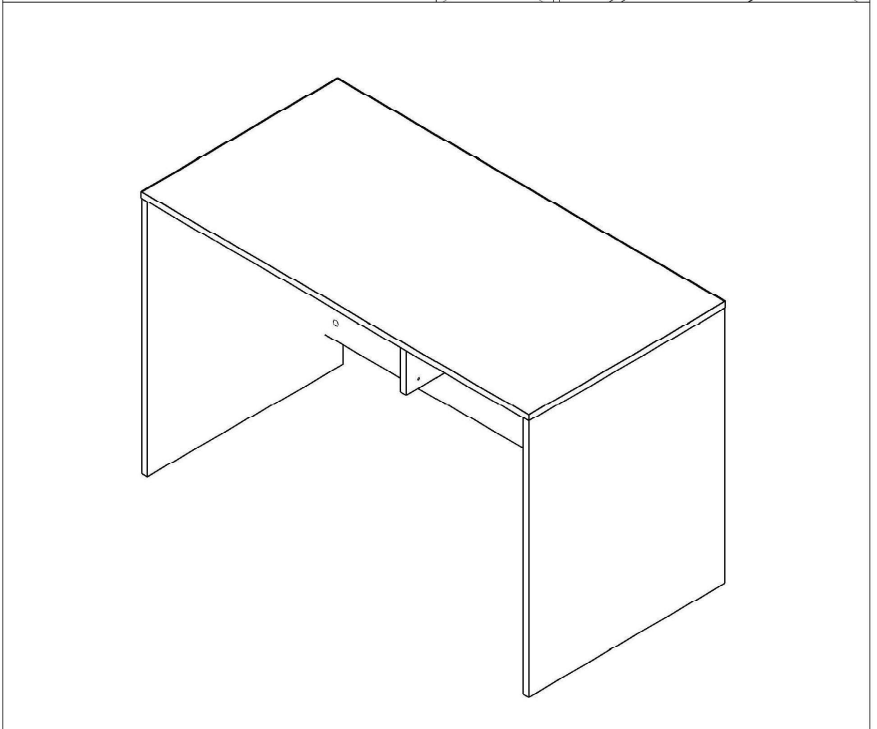
13



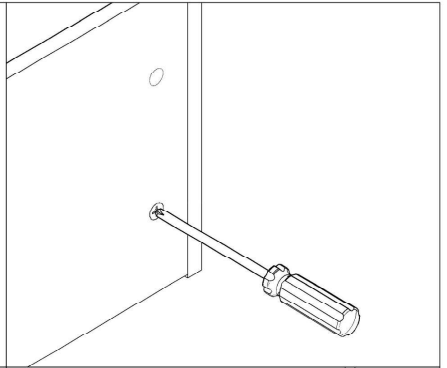
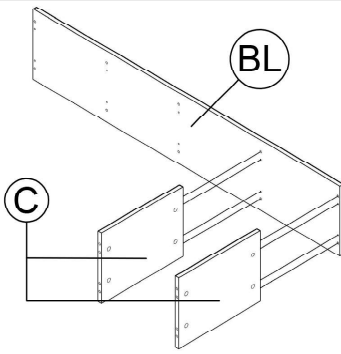
14



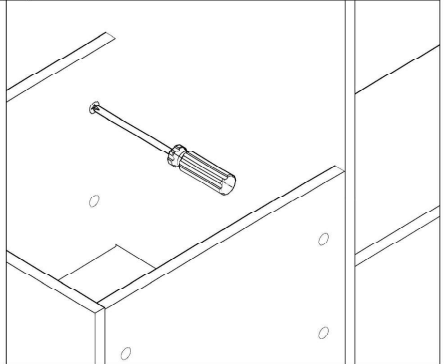
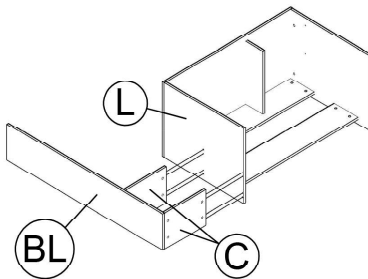
15



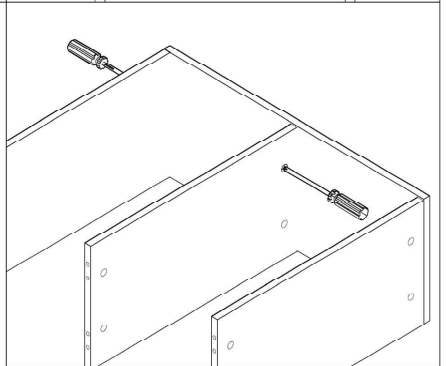
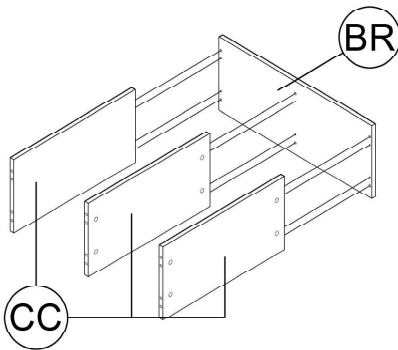
16



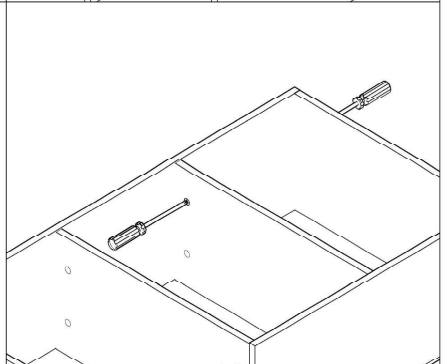
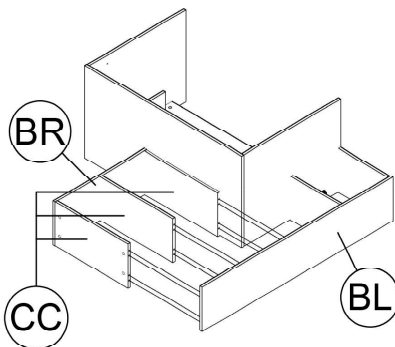
17



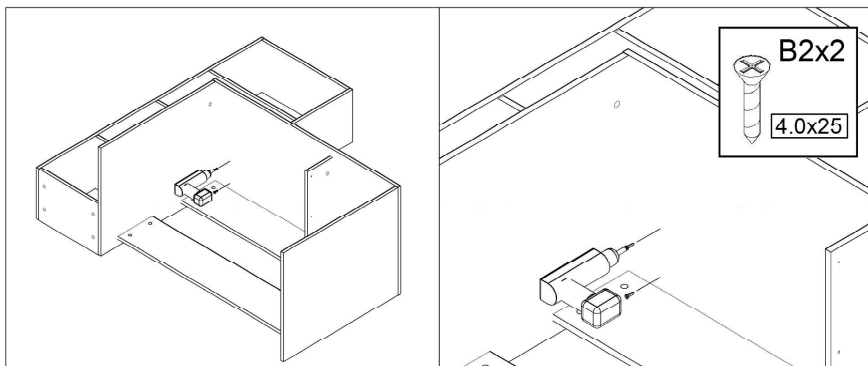
18



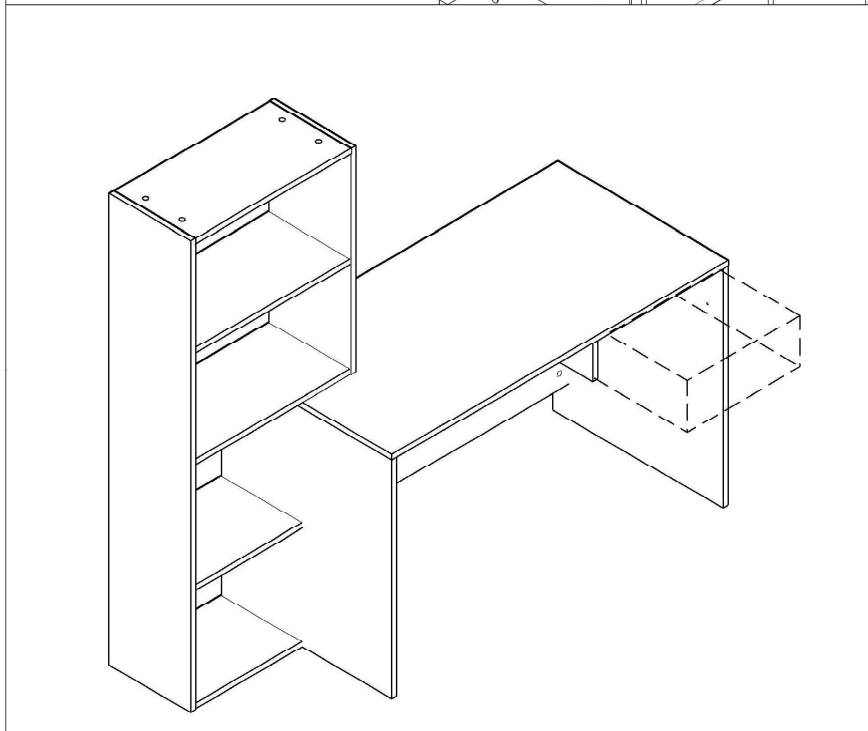
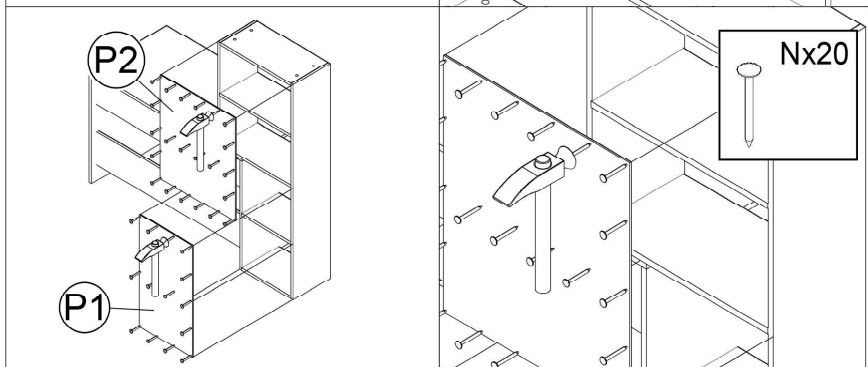
19



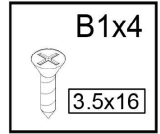
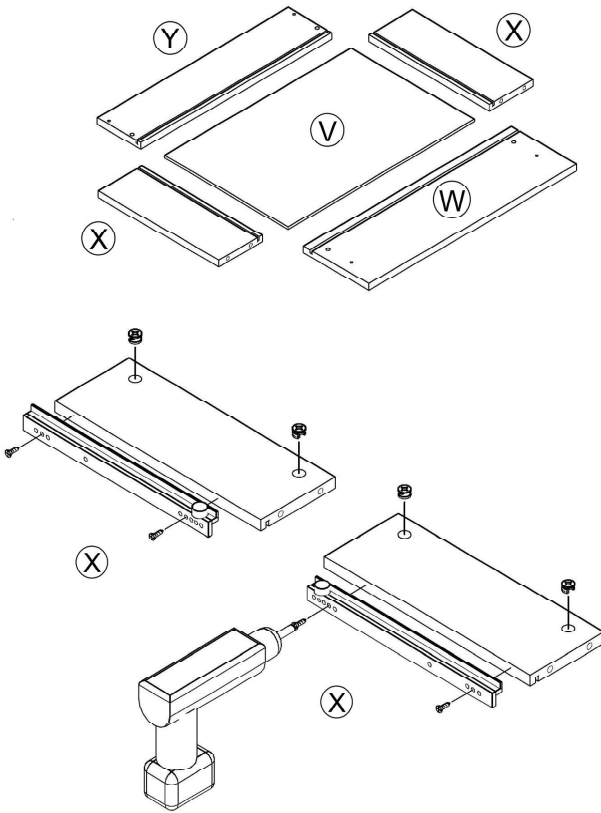
20



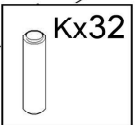
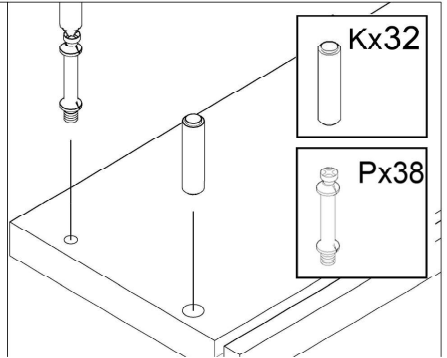
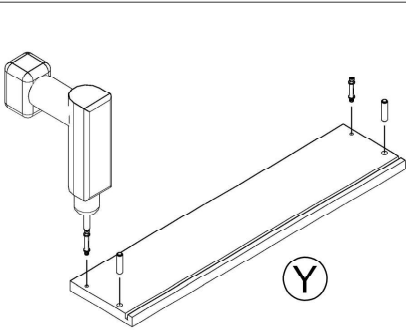
21



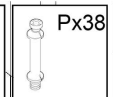
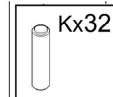
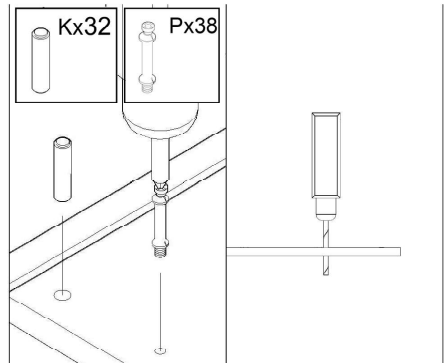
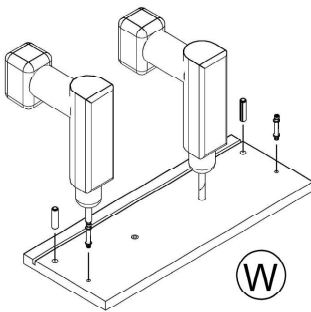
22



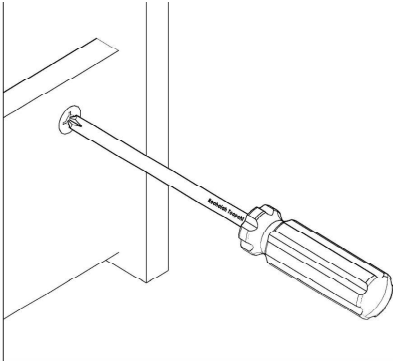
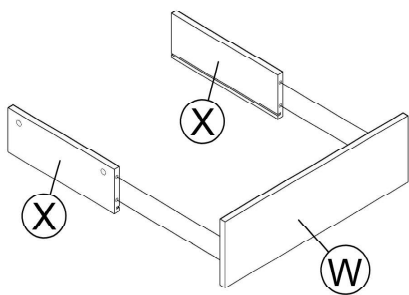
23



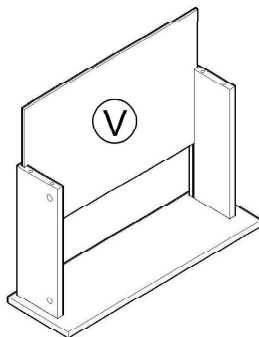
24



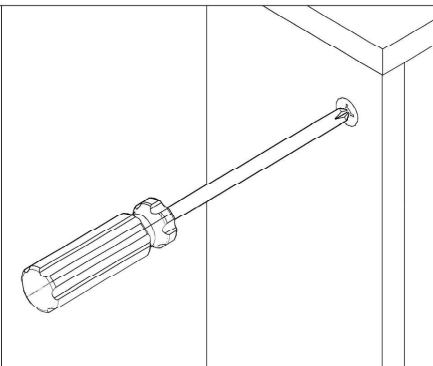
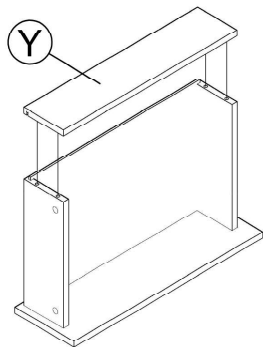
25



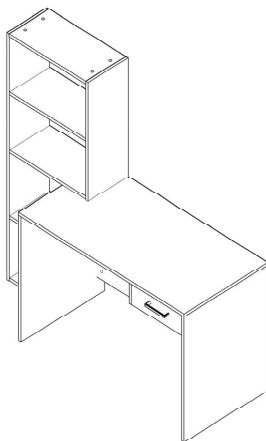
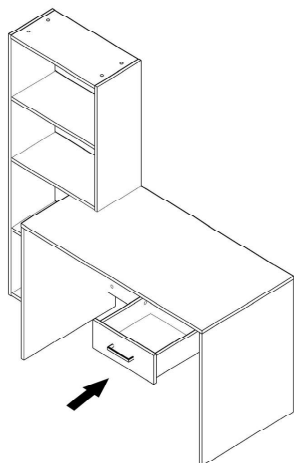
26



27



28



PLASTIC COVER CAPS FOR SCREWS

