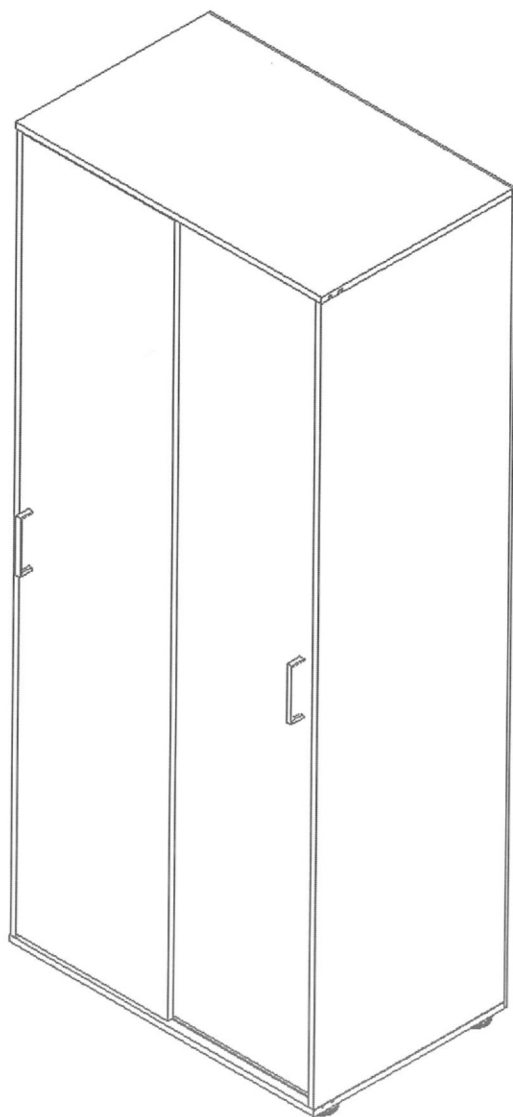
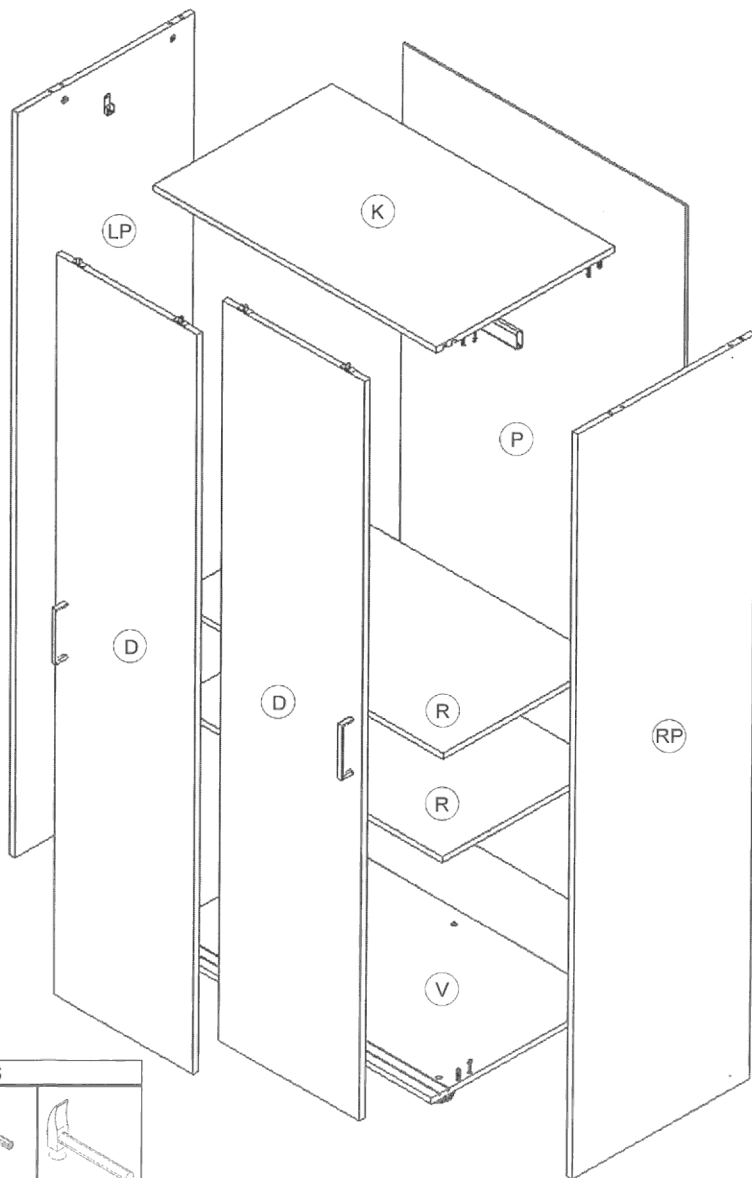
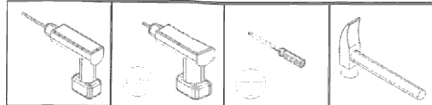


# GRK717



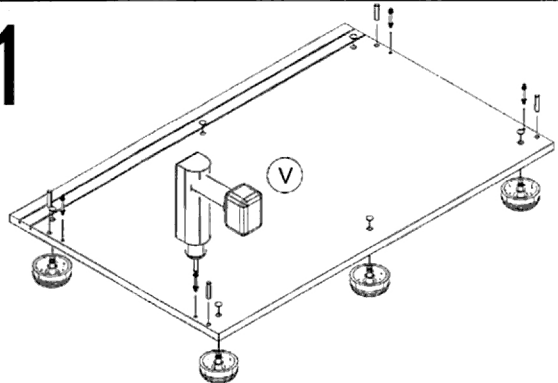


USING TOOLS

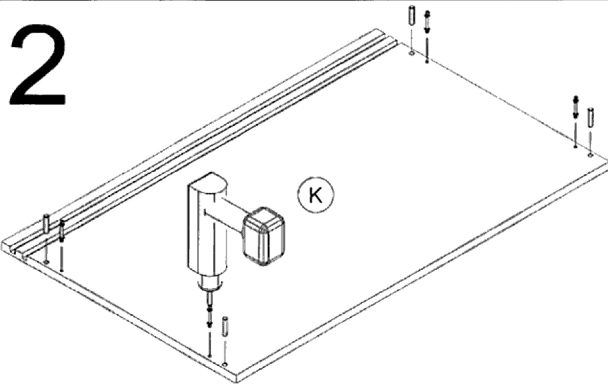


TPx8	Fx8	Px8	Kx8	TRx8	PRx30 4x35	Sx1	STx2 3,5X16	Vx36	POx6
Bx4	OBx2	OTx2	FRx2	Tx4	VHx4	Hx2	Vx36	POx6	POx6

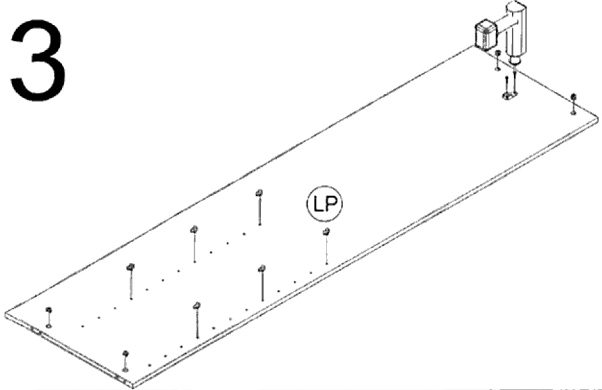
# 1



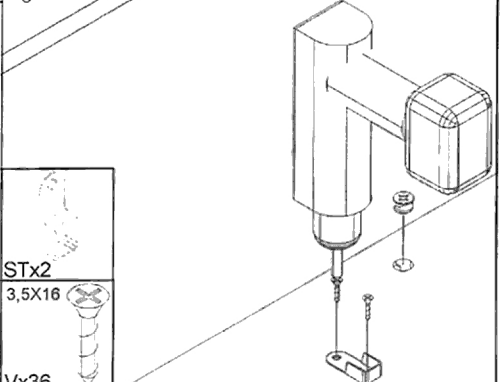
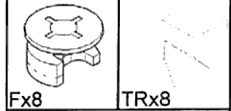
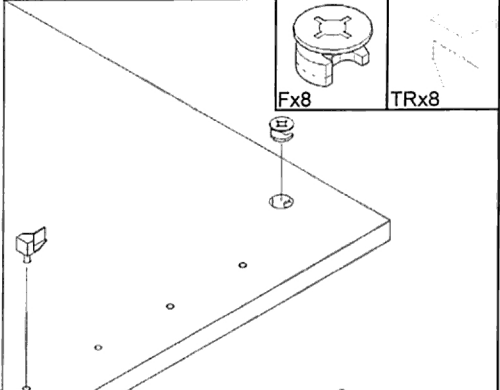
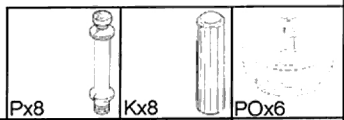
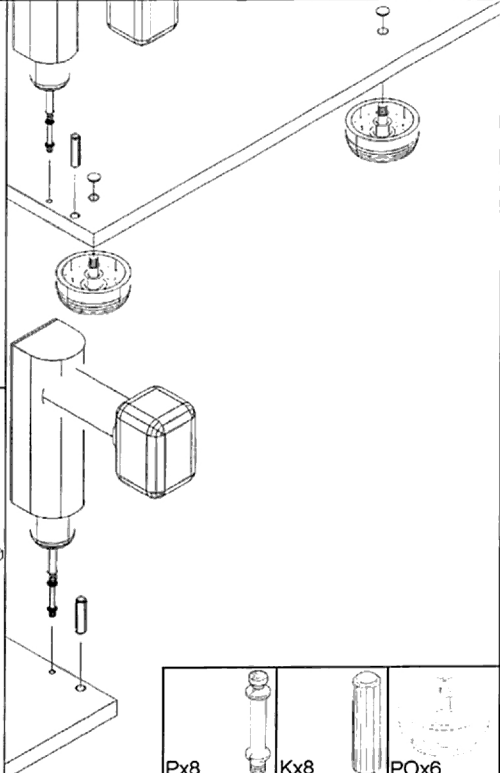
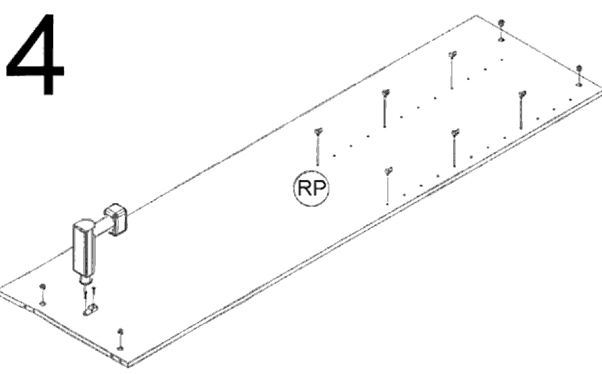
# 2



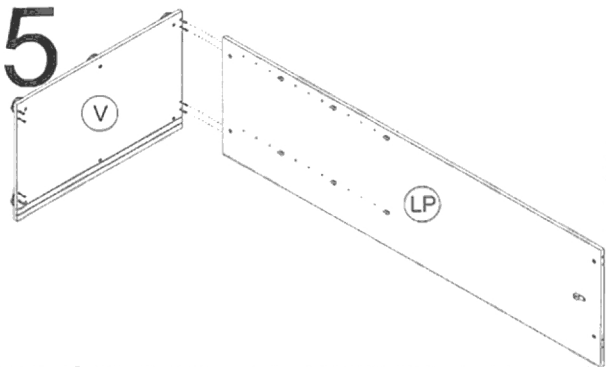
# 3



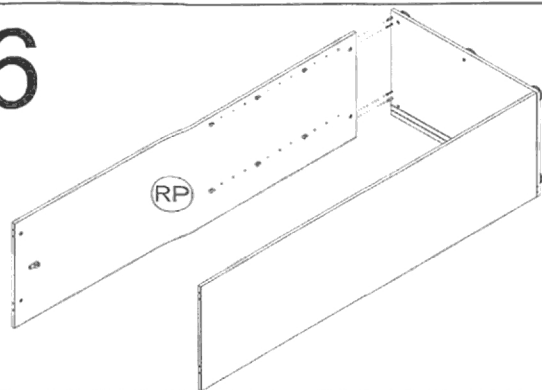
# 4



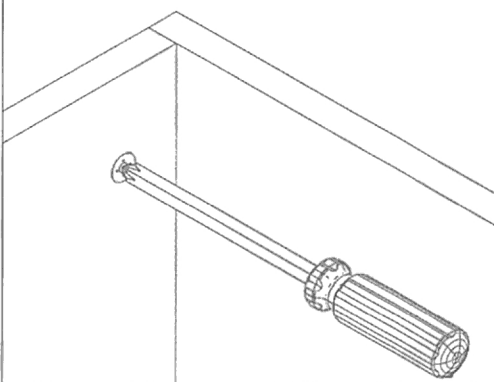
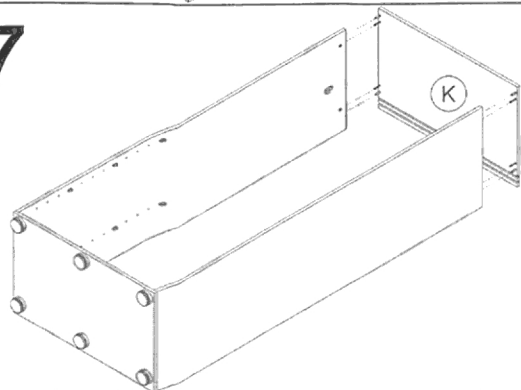
5



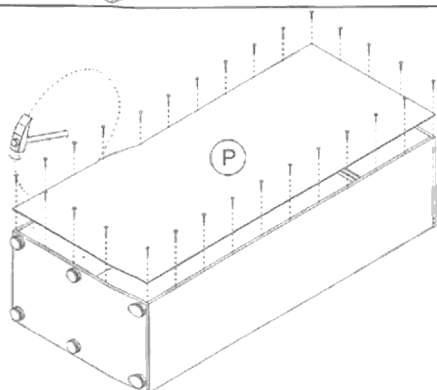
6



7

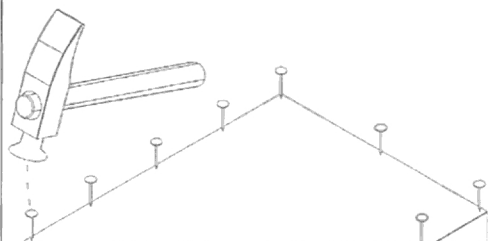


8

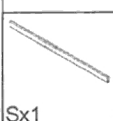
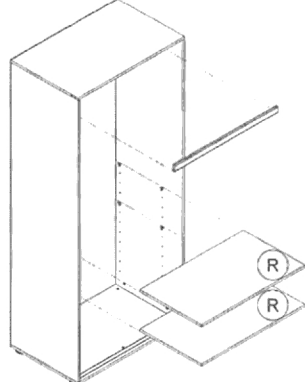


90

PRx30

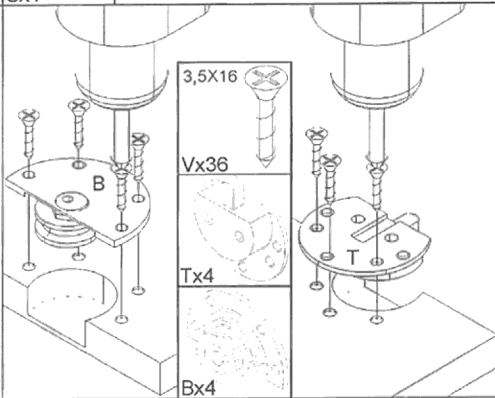
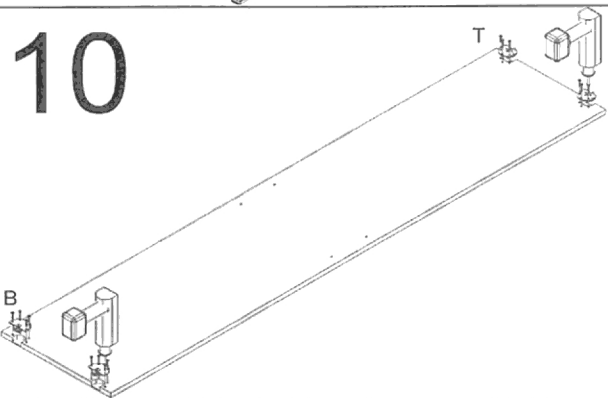


# 9

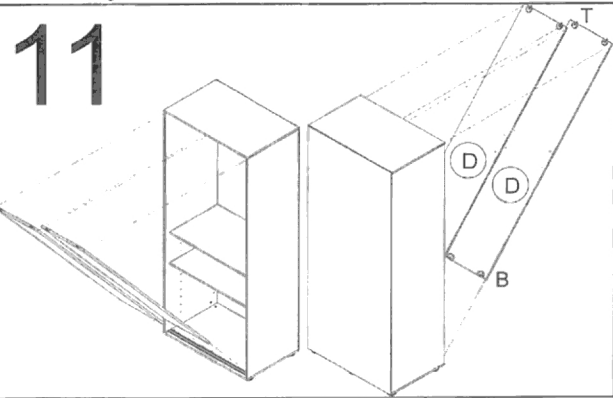


Sx1

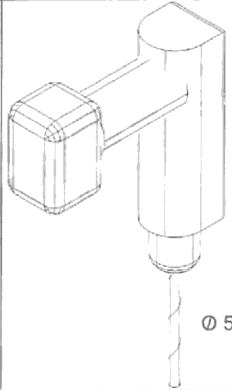
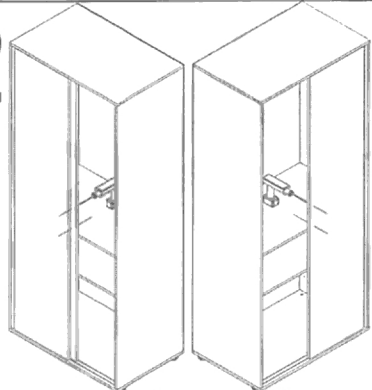
# 10



# 11

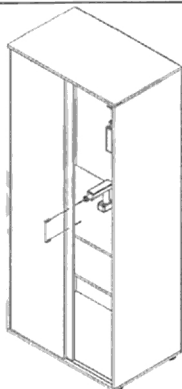


# 12



Ø 5

# 13



FRx2

3,5X16

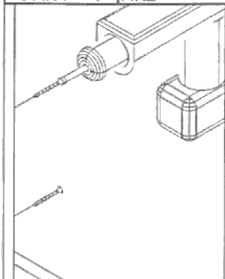
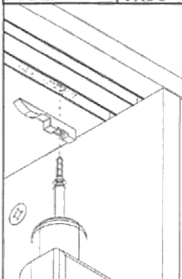
Vx36



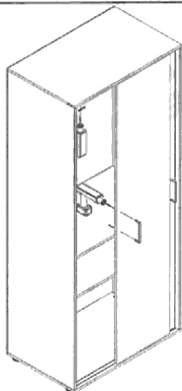
4x35

VHx4

Hx2



# 14



4x35

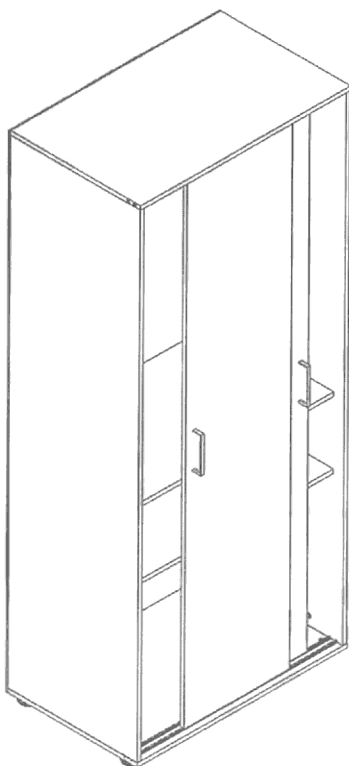
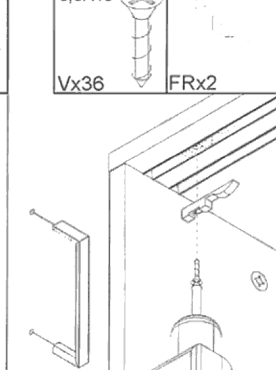
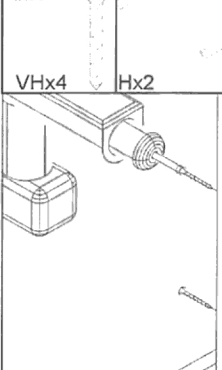
VHx4

Hx2

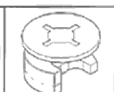
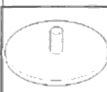
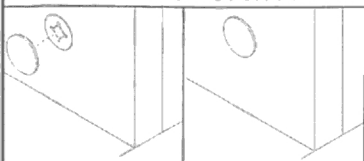
3,5X16

Vx36

FRx2



PLASTIC COVER CAPS FOR SCREWS



TPx8

Fx8



