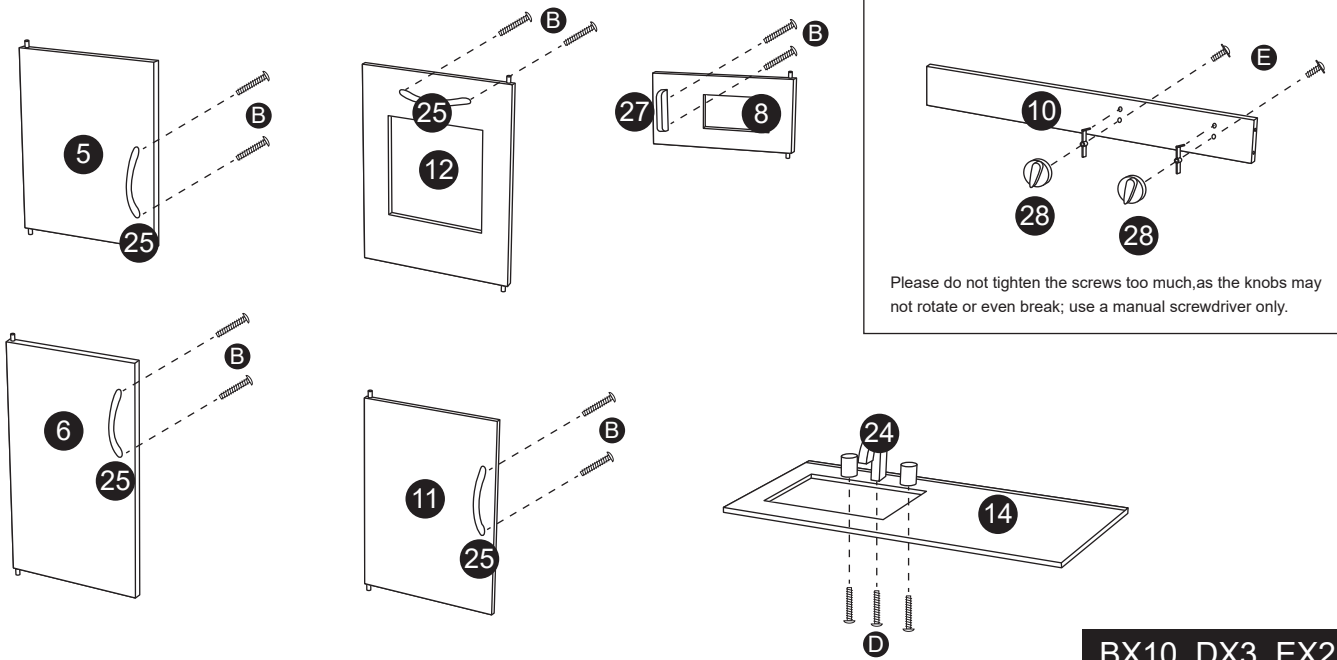
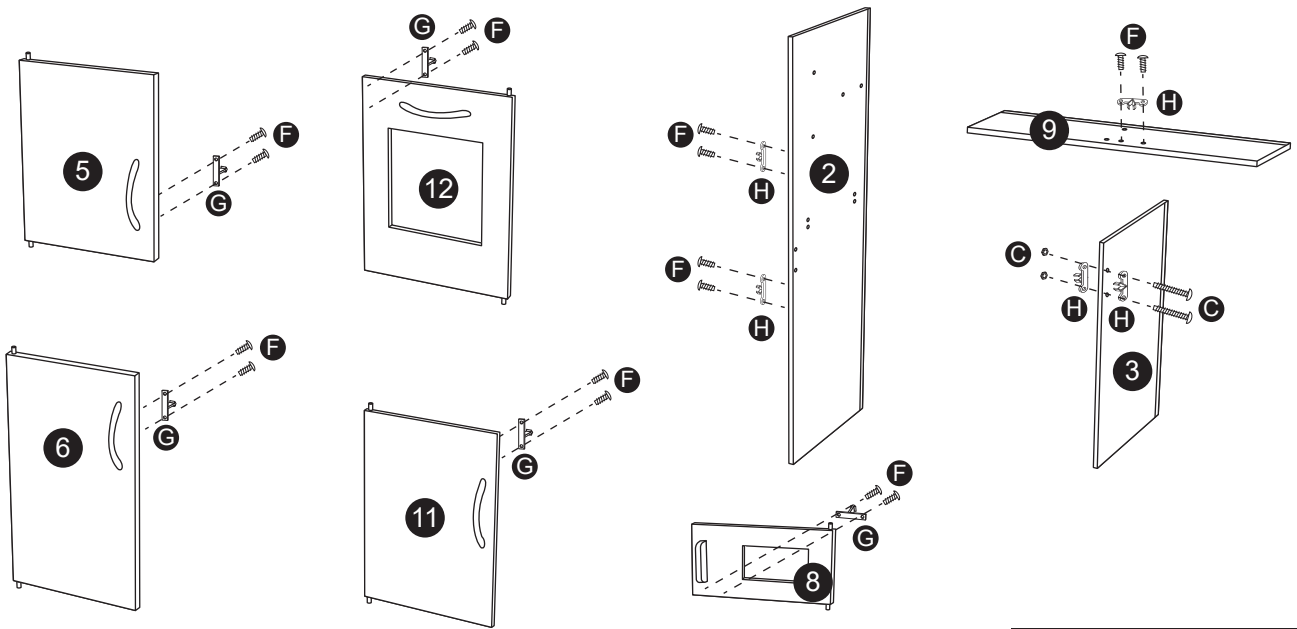
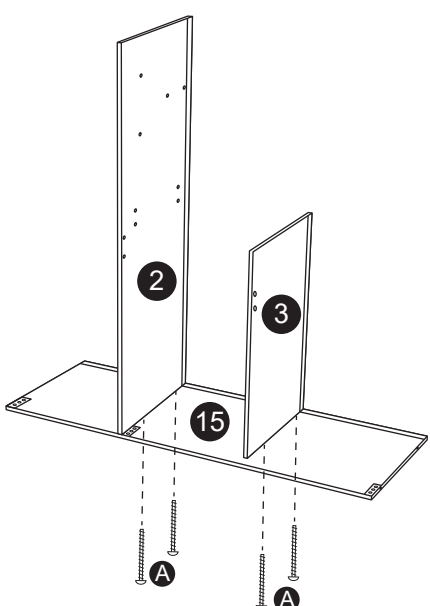
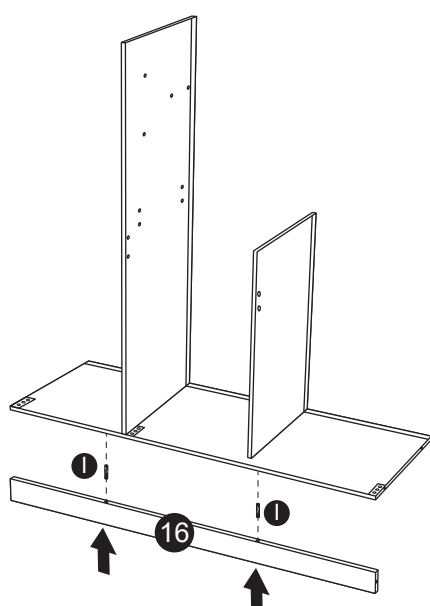
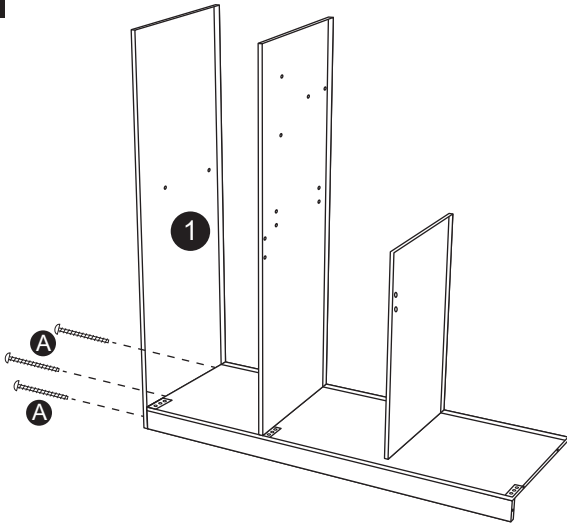


1

Please do not tighten the screws too much, as the knobs may not rotate or even break; use a manual screwdriver only.

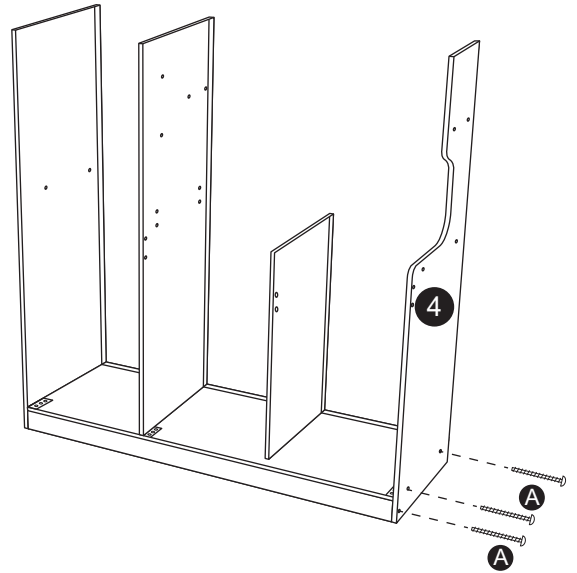
BX10 DX3 EX2**2****GX5 HX5 CX2 FX16****3****AX4****4****IX2**

5



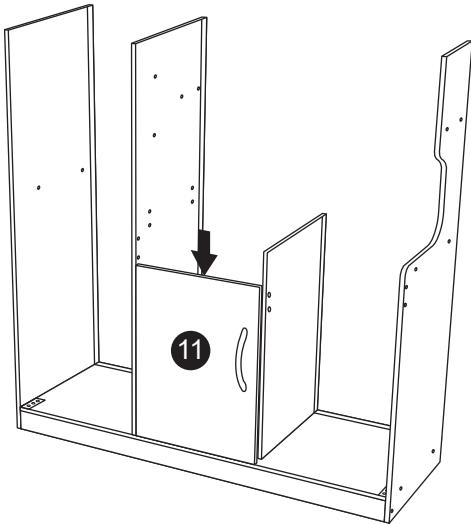
AX3

6

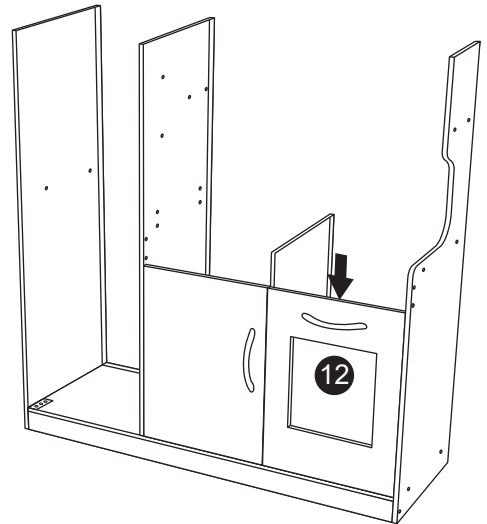


AX3

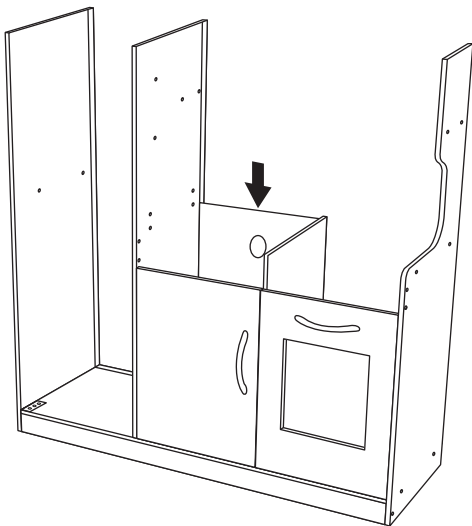
7



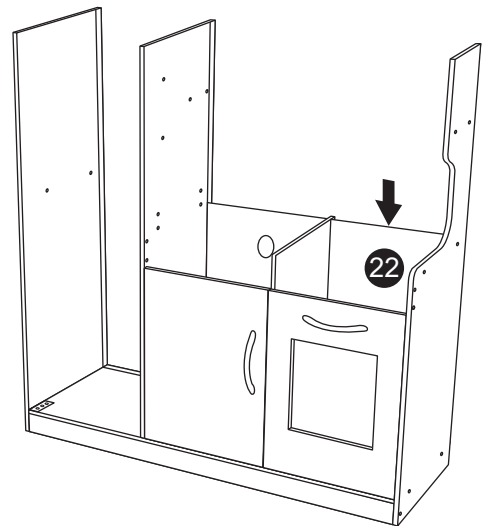
8



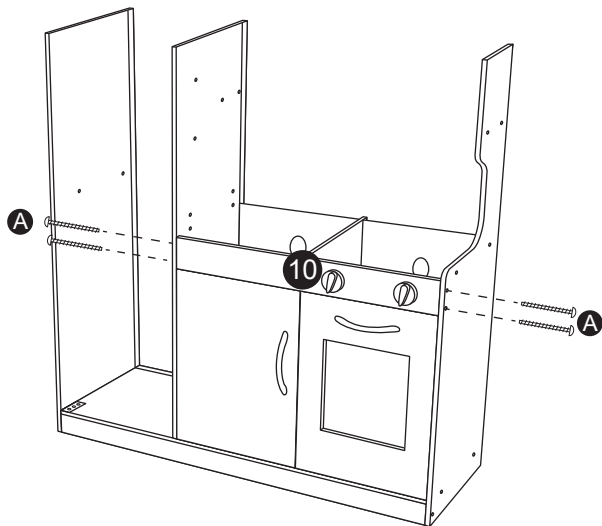
9



10

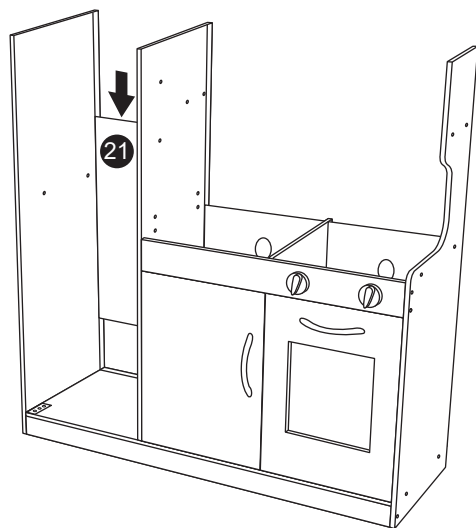


11

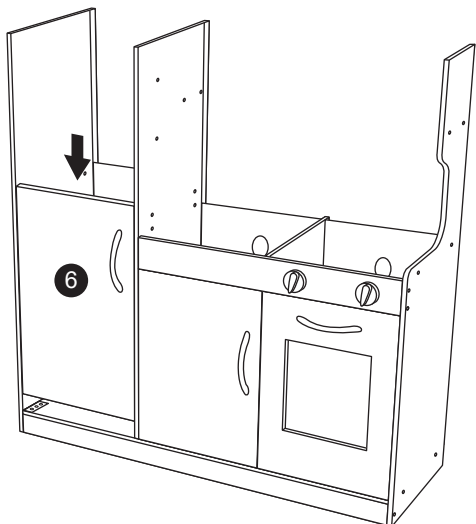


AX4

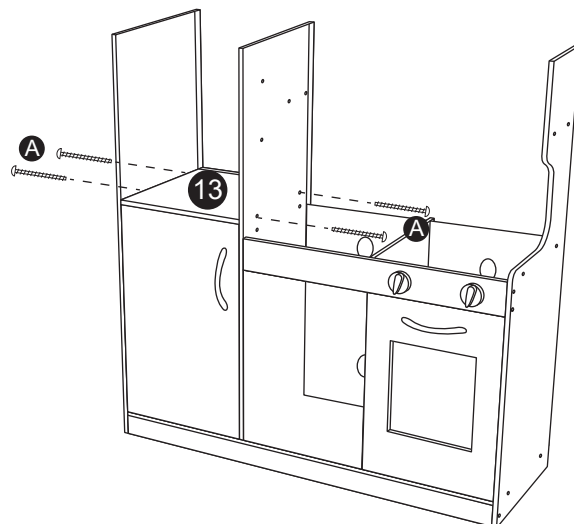
12



13

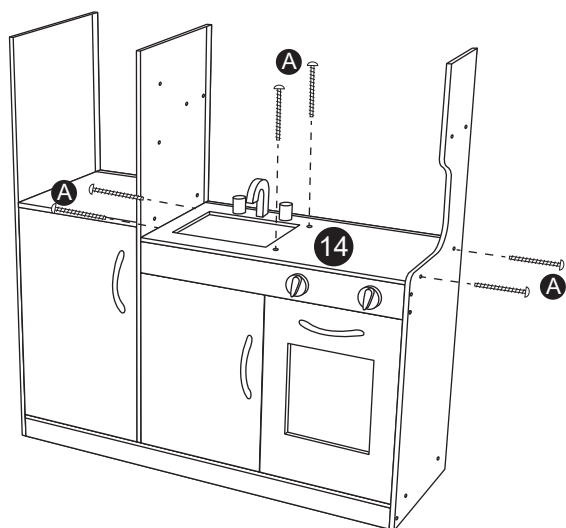


14



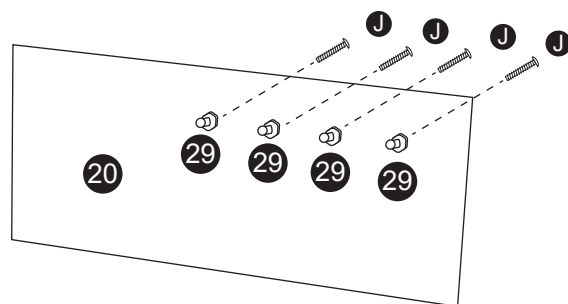
AX4

15



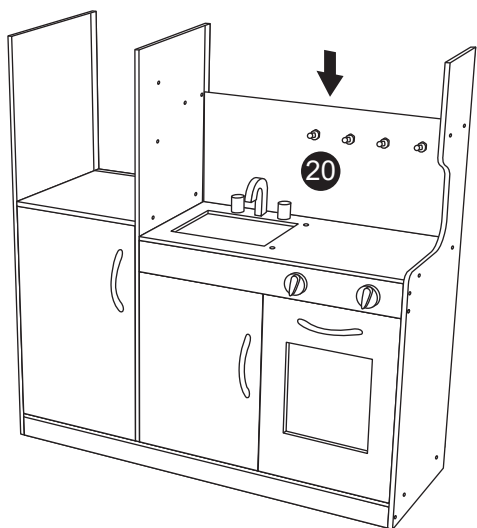
AX6

16

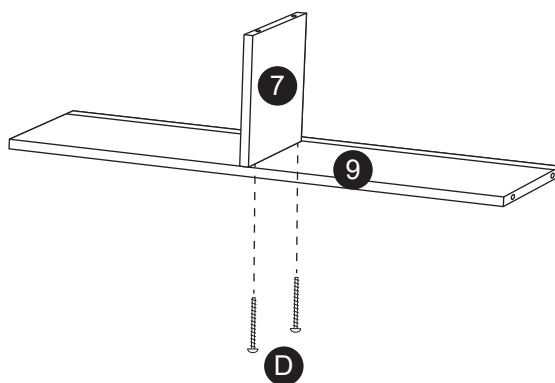


JX4

17

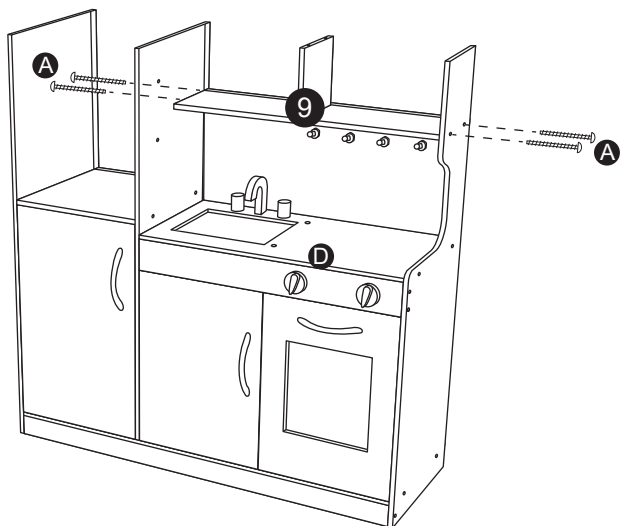


18



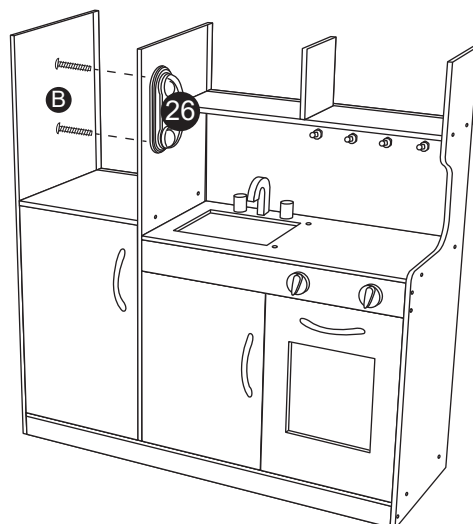
DX2

19



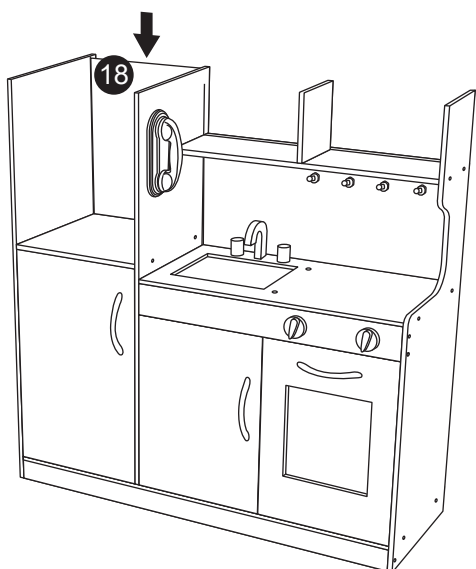
AX4

20

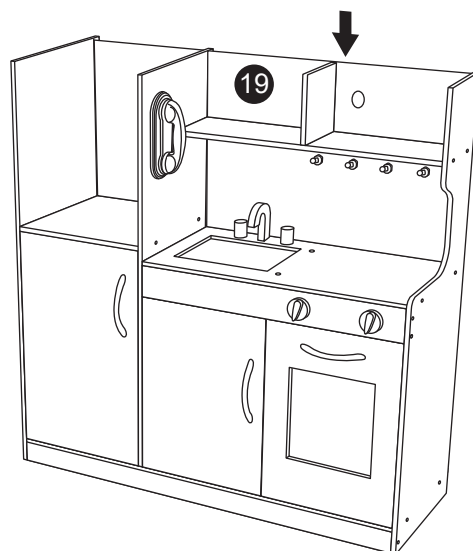


BX2

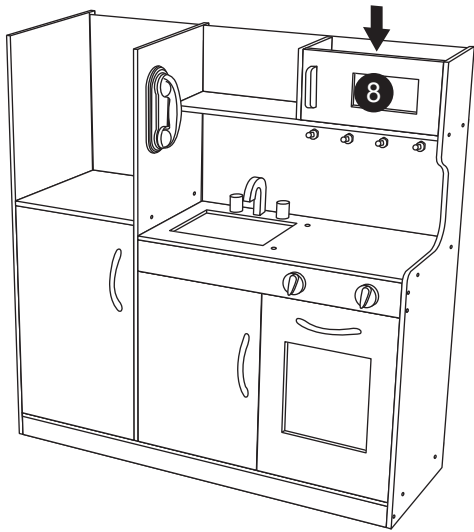
21



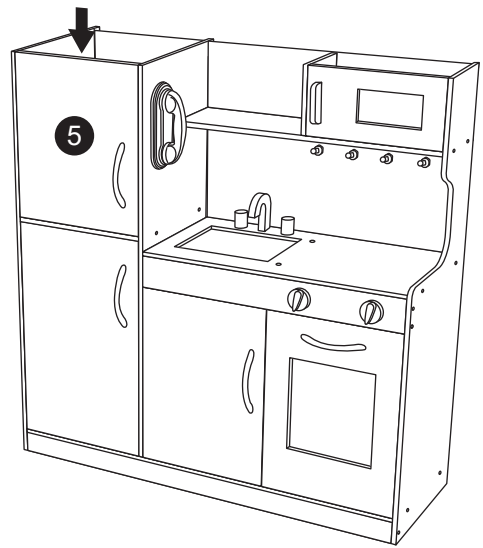
22



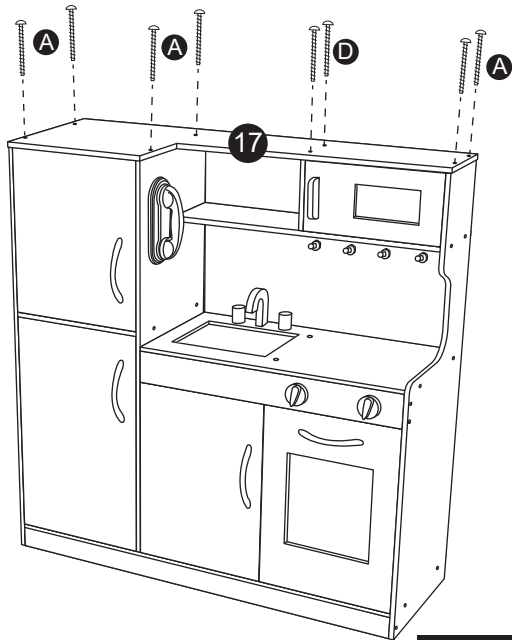
23



24



25



AX6 DX2

26

