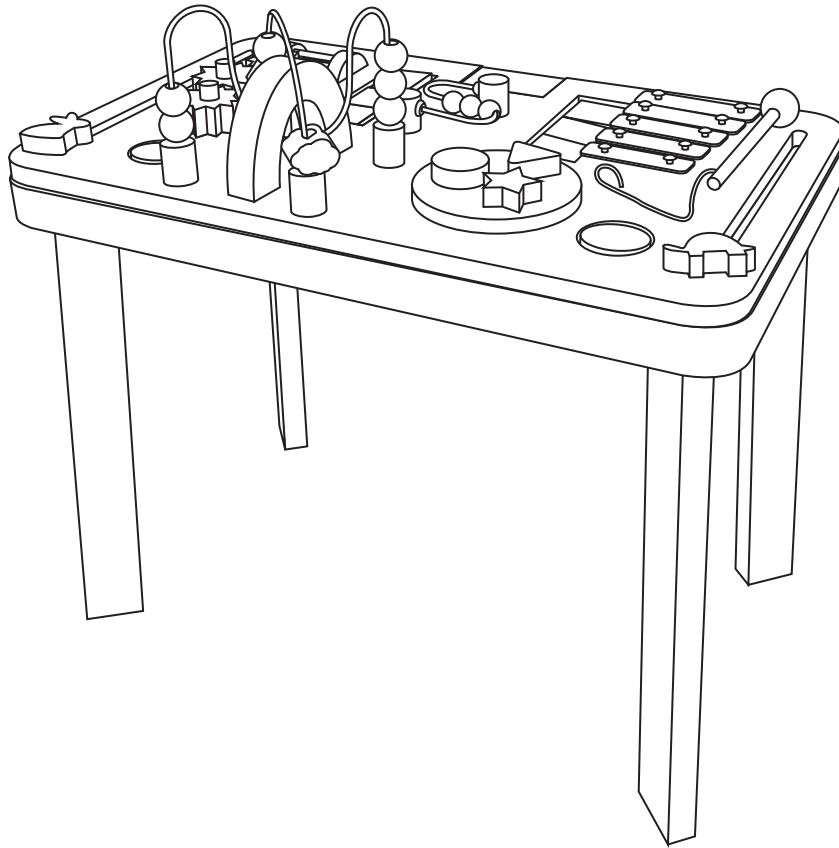


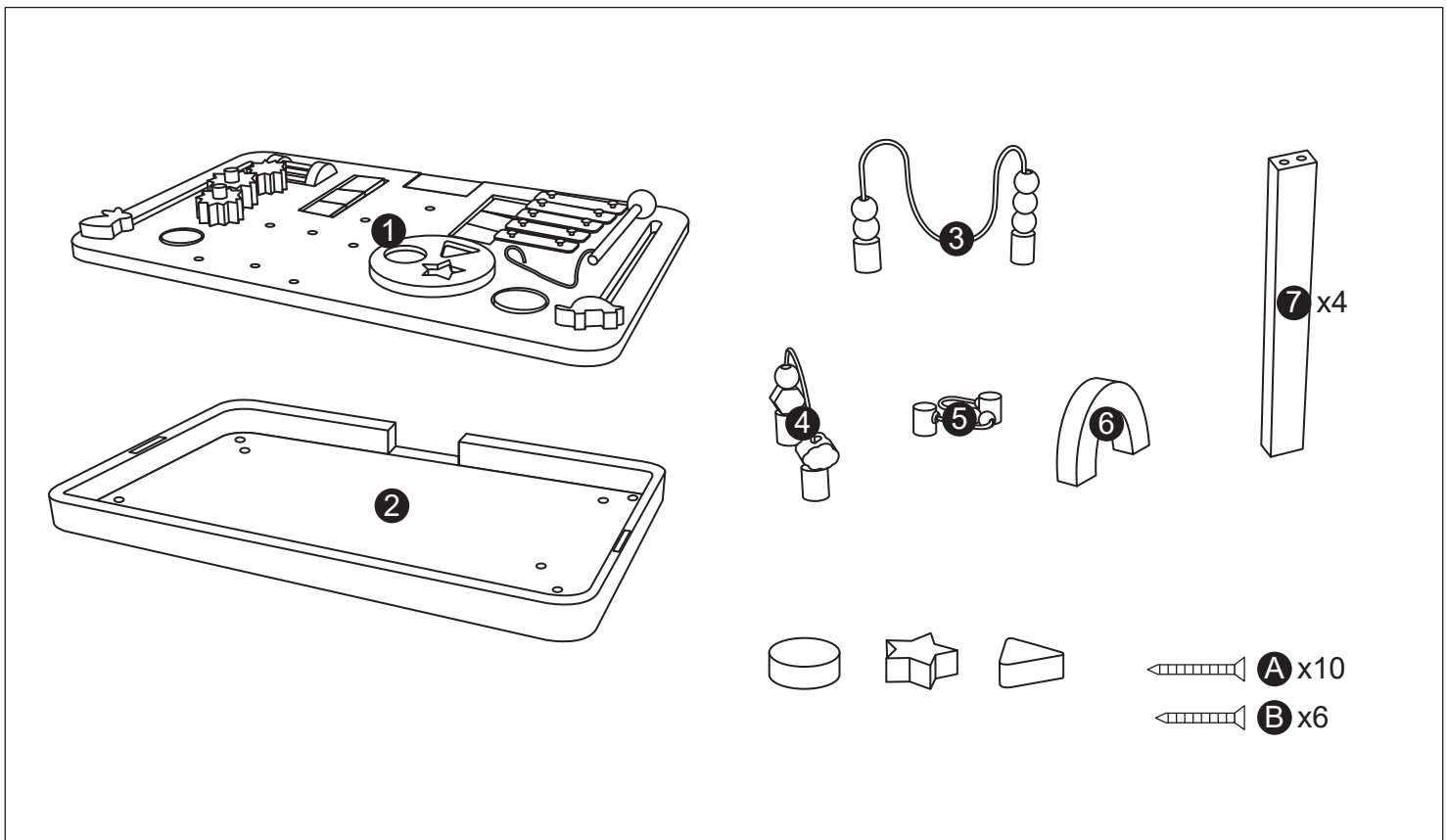
# Activity Table

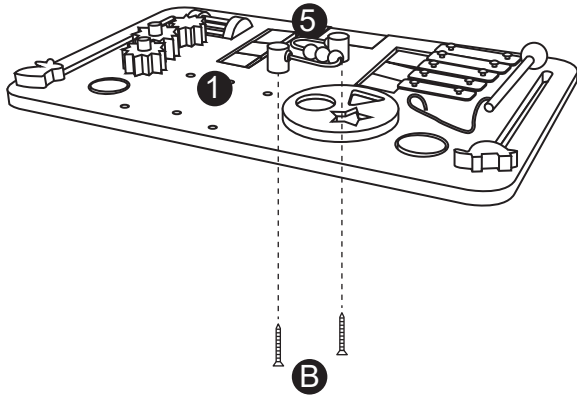
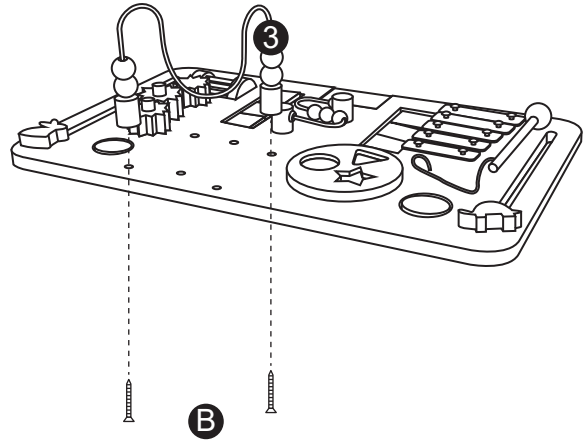
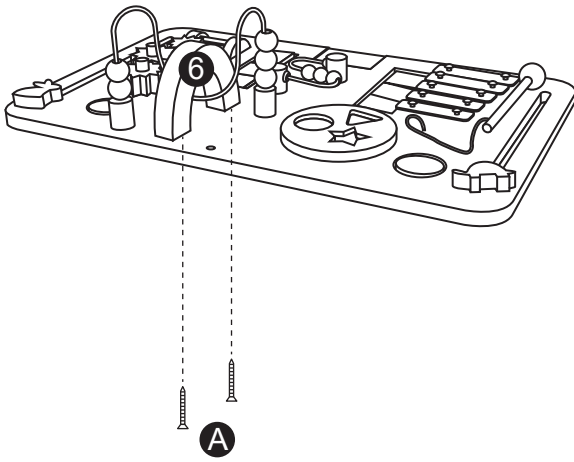
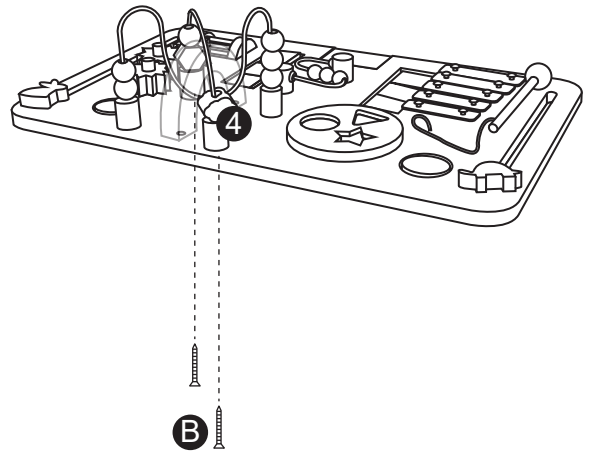
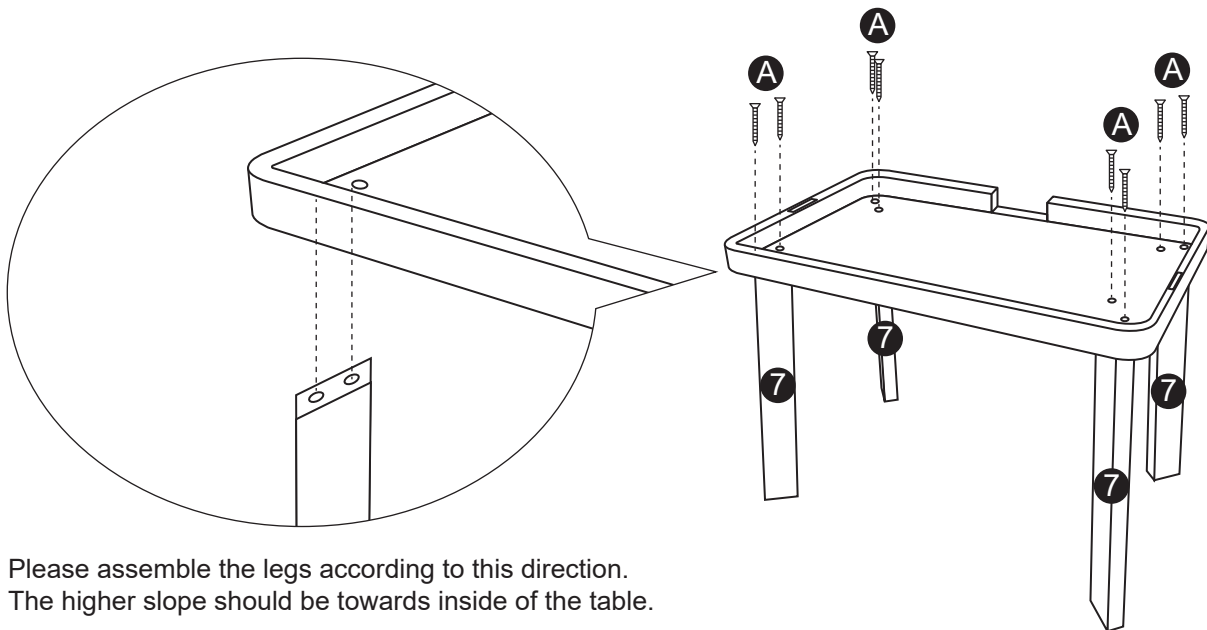
## Assembly instructions

Please retain this information for future reference



CE  12M+



**1****Bx2****2****Bx2****3****Ax2****4****Bx2****5**

Please assemble the legs according to this direction.  
The higher slope should be towards inside of the table.

**Ax8**