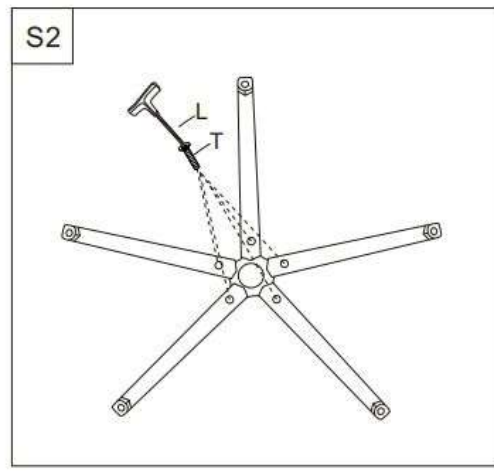
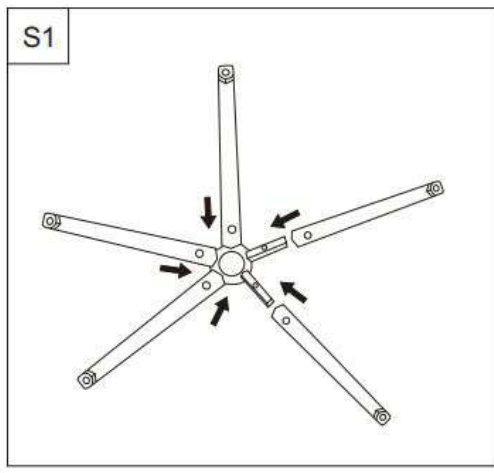


Installation Instruction

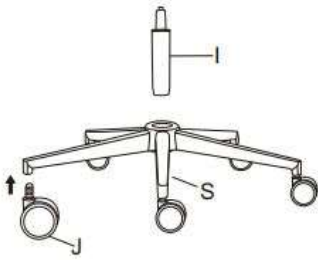
Accessories list

A	B	C	D	E	F	H	J	L	Ox6	Qx2
Rx2			S		G	I	K	Mx8	Px3	
								Tx5		



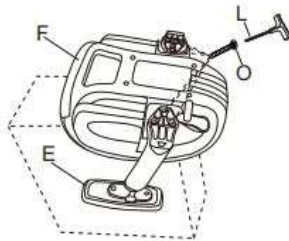
Installation Instruction

①

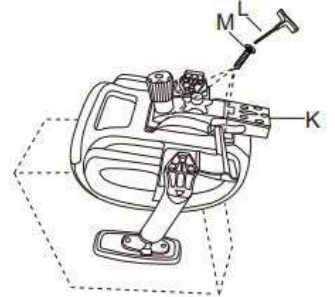


Don't screw them too tight before the last one be screwd

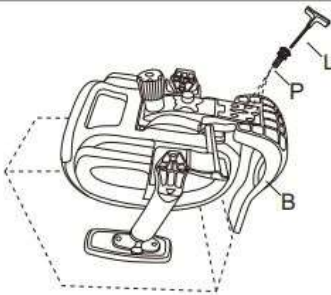
②



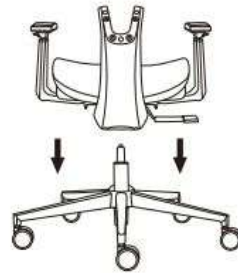
③



④



⑤



⑥



⑦



⑧



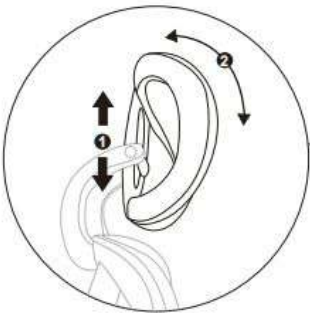
⑨



⑩

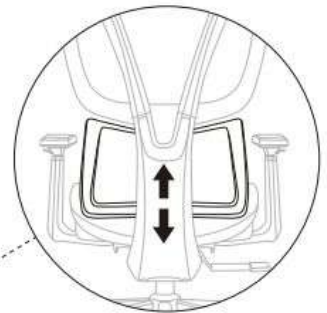


Chair Function



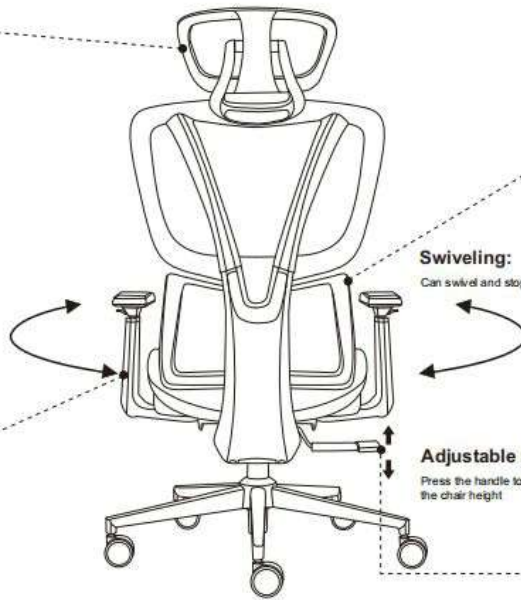
Headrest function:

- 1 The headrest can be adjusted from top to bottom, and stop at any position
- 2 Rolling-over



Adjustable Lumbar support:

Up and down, can be locked in 4 height

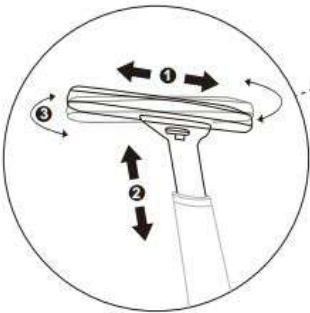


Swiveling:

Can swivel and stop at any position.

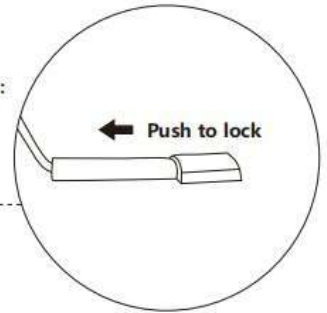
Adjustable Height:

Press the handle to adjust the chair height



Armrest function:

- 1 Forward and backward
- 2 Up and down
- 3 3D Swivel



Reclining function:

Can be locked in 3 angles when lean back